

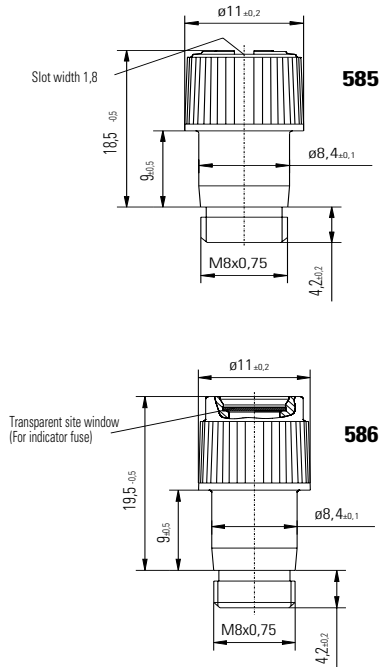
585/586 Series Cap for Fuse Holders for 5×20mm and 5×25mm Fuses



**Product Characteristics**

<b>Compatible Fuse Types</b>	5×20mm 5×25mm
<b>Materials</b>	Cap: Thermoplastic (Polyamide PA 66), UL 94 V-0, black Metal Parts: Copper alloy, corrosion protected
<b>Electrical Data (23°C)</b>	Rated Voltage: 250V Max. Current/Power: 6.3V / 2.5W
<b>Mounting</b>	Screw Finger Grip
<b>Protection Class &amp; Category</b>	IP 40 (IEC 60529)
<b>Operating Temperature</b>	-25 °C to 70 °C
<b>Stock Conditions</b>	10 °C to 60 °C
<b>Contact Resistance</b>	≤ 5mΩ
<b>Dielectric Strength</b>	3 kV, 50Hz, 1 min., dry
<b>Insulation Resistance</b>	> 10 <sup>9</sup> MΩ (500 V DC, 1 min.)

**Dimensions**



**Ordering Information**

Description	Ordering Number	Packaging
Cap, 5×20 mm	58500000005	Bulk 100
Cap, 2x25 mm	58600000005	Bulk 100

**Additional Information**



Datasheet



Resources



Samples

**Disclaimer Notice** - Information furnished is believed to be accurate and reliable. However, users should independently evaluate the suitability of and test each product selected for their own applications. Littelfuse products are not designed for, and may not be used in, all applications. Read complete Disclaimer Notice at: [www.littelfuse.com/disclaimer-electronics](http://www.littelfuse.com/disclaimer-electronics).