

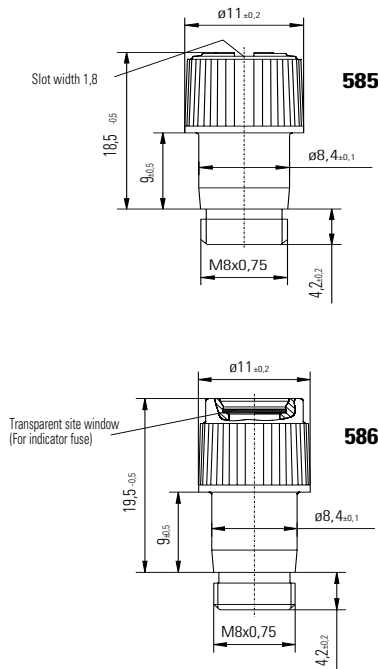
585/586 Series Cap for Fuse Holders for 5x20mm and 5x25mm Fuses



Product Characteristics

Compatible Fuse Types	5x20mm 5x25mm
Materials	Cap: Thermoplastic (Polyamide PA 66), UL 94 V-0, black Metal Parts: Copper alloy, corrosion protected
Electrical Data (23°C)	Rated Voltage: 250V Max. Current/Power: 6.3V / 2.5W
Mounting	Screw Finger Grip
Protection Class & Category	IP 40 (IEC 60529)
Operating Temperature	-25 °C to 70 °C
Stock Conditions	10 °C to 60 °C
Contact Resistance	≤ 5mΩ
Dielectric Strength	3 kV, 50Hz, 1 min., dry
Insulation Resistance	> 10 ⁹ MΩ (500 V DC, 1 min.)

Dimensions



Ordering Information

Description	Ordering Number	Packaging
Cap, 5x20 mm	58500000005	Bulk 100
Cap, 2x25 mm	58600000005	Bulk 100

Additional Information



Datasheet



Resources



Samples

Disclaimer Notice - Information furnished is believed to be accurate and reliable. However, users should independently evaluate the suitability of and test each product selected for their own applications. Littelfuse products are not designed for, and may not be used in, all applications. Read complete Disclaimer Notice at: www.littelfuse.com/disclaimer-electronics.