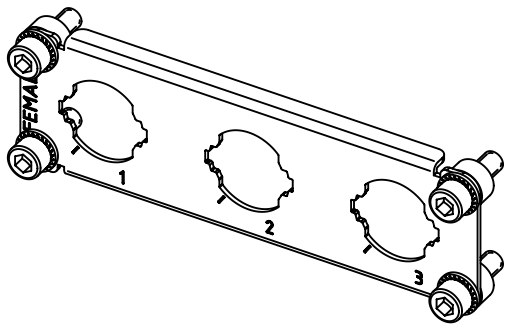
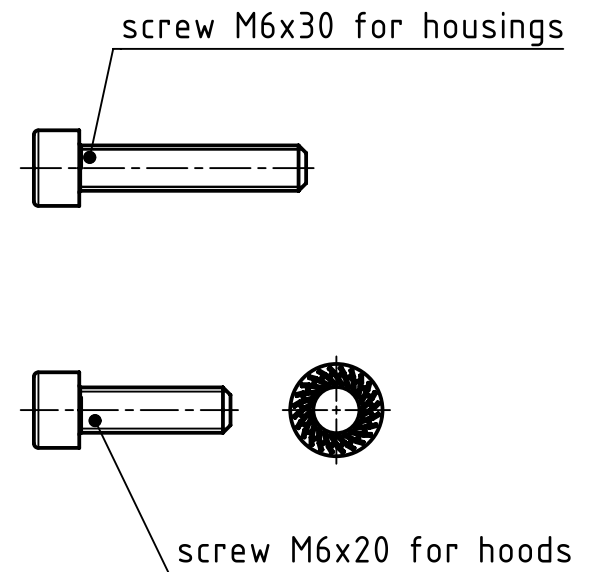
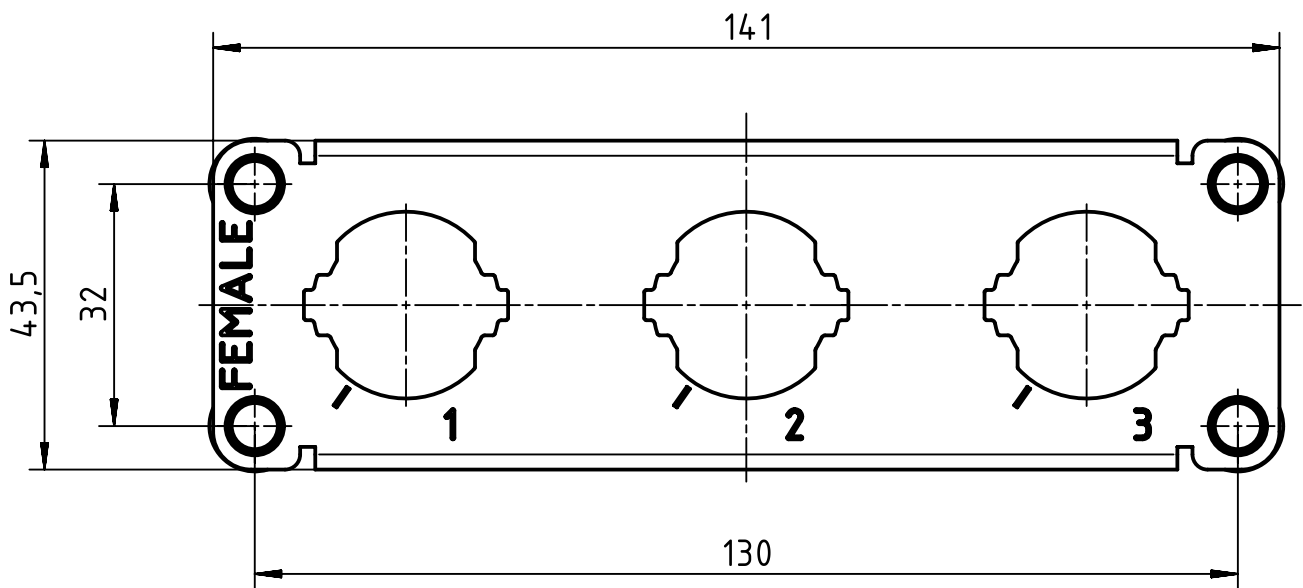



1 2 3 4 5 6

A
B
C
D



	All rights reserved Department EL PD - DE	All Dimensions in mm Original Size DIN A4		Scale 1:1	Free size tol.	Ref.	
		Created by KHOSROGORJI	Inspected by SCHNIEDER	Standardisation TIEMANNA	Date 2017-09-08	State Final Release	
HARTING Electric GmbH & Co. KG D-32339 Espelkamp		Title Frame 3xHC250-F enlarged				Doc-Key / ECM-Nr. 100587207/UGD/001/B 500000124850	
		Type TB	Number 09 11 000 9932			Rev. B	Page 1/1

Mouser Electronics

Authorized Distributor

Click to View Pricing, Inventory, Delivery & Lifecycle Information:

[HARTING:](#)

[09110009932](#)