

4

3

2

REV. A	SHEETS 1 OF 2	DOCUMENT NO. CF-170900-034
REVISIONS M		
LTR	DESCRIPTION	DATE
A	INITIAL RELEASE	01/09/19

CF-170900-034

SHEET 1 OF 2

A

C

B

A

TOSA CONTACT I/O CHART

PIN ID	FUNCTION
1	DISABLE
2	3.3VDC
3	GND
4	FAULT
5	INPUT-
6	INPUT+

Dimensions and Callouts:

- Top view: $\phi .314$, $\phi .345 \pm .005$, $.060$, $.057$, $-Q-$
- Side view: $.418$, $.700 \pm .010$, $.334 \pm .015$ (6 PLACES), $\phi .217 \pm .001$ (-D-), QUADRAX KEY, STAINLESS STEEL OUTER BODY, BLUE BAND, ENCAPSULANT, REMOVABLE ALIGNMENT SLEEVE CAP (2), PROTECTIVE CAP (6)

Dimensions and Callouts:

- Pin locations: PIN 1, PIN 2, PIN 3, PIN 4, PIN 5, PIN 6
- Dimensions: $\phi .030 \pm .002$ ($\phi .003$ M, QM, DM), $.070$, $.069$ (2 PLACES), $.069$ (2 PLACES), $\phi .016 \pm .002$ ($\phi .003$ M, QM, DM) (5 PLACES), $.063$ (2 PLACES), $.0315$ (3 PLACES)
- Callouts: 4, 3, 7

ATTENTION
OBSERVE PRECAUTIONS
FOR HANDLING
ELECTROSTATIC
SENSITIVE
DEVICES

SEE SHEET 2

NOTES:

THE USE OF THIS DOCUMENT IS UNLIMITED.
HOWEVER, DOCUMENTS REFERENCED HEREON
MAY CONTAIN LIMITED RIGHTS DATA.

RELEASED / Jan. 22 2019, 2:15:00 PM

CF-170900-034

SHEET 1 OF 2

A

CF-020012-021X & OTHERS
NEXT ASSEMBLY

PRO/ENGINEER INFORMATION
Pro/e Model Used:
CF-170900-034.ASSEM
Drawing Name:
CF-170900-034

UNLESS OTHERWISE SPECIFIED	SPECIFICATIONS	POS	QTY	PART NUMBER	DESCRIPTION	NOTE
LINEAR DIMENSIONS ARE IN INCHES TOLERANCES: .XXXX = $\pm .0005$ ANGLES = $\pm 2^\circ$.XXX = $\pm .010$.XX = $\pm .03$.X = $\pm .1$ DIM. & TOL. PER ASME Y14.5M; DRM PER MIL-STD-31000; OTHER Amphenol Stds. PER 9-3800 LEGENDS: =FLAG NOTE CALL OUT REFERENCE ONLY	MATERIAL SPEC.	PARTS LIST				
	NONE	AMPHENOL CORPORATION 40-60 DELAWARE AVENUE SIDNEY, N.Y. 13858 TOSA ASSEMBLY SIZE 8 CONTACT, FIBER-QUAD 4.25Gbps 850nm MULTIMODE VCSEL				
PROCESS SPEC.	9-3856-5 9-3895	APPROVALS PREPARED BY: W. LEE ENGINEER IN CHARGE: W. LEE DESIGN MANAGER: J. ROTHROCK DESIGN ACTIVITY GROUP: CI DATE: 09-Jan-19 THIRD ANGLE PROJECTION 				
		SIZE	CAGE CODE	DOCUMENT NO.	REV.	
		C	77820	CF-170900-034	A	
		SCALE: 6.0	REF. CF-170900-027	SHEET 1 OF 2		

C

A

Eng PDM Information For Reference Only

A

SHEET 1 OF 2

CF-170900-034

4

3

2

1

DOCUMENT NO. CF-170900-034

SHEET 2 OF 2

REV. A

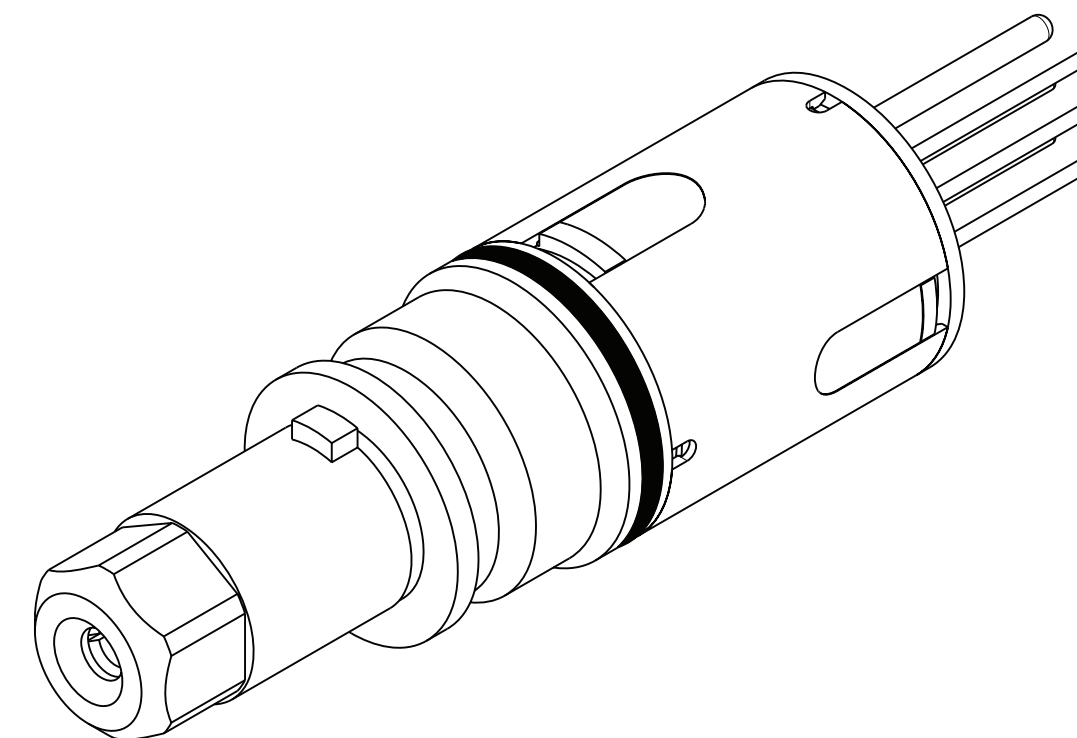
C

B

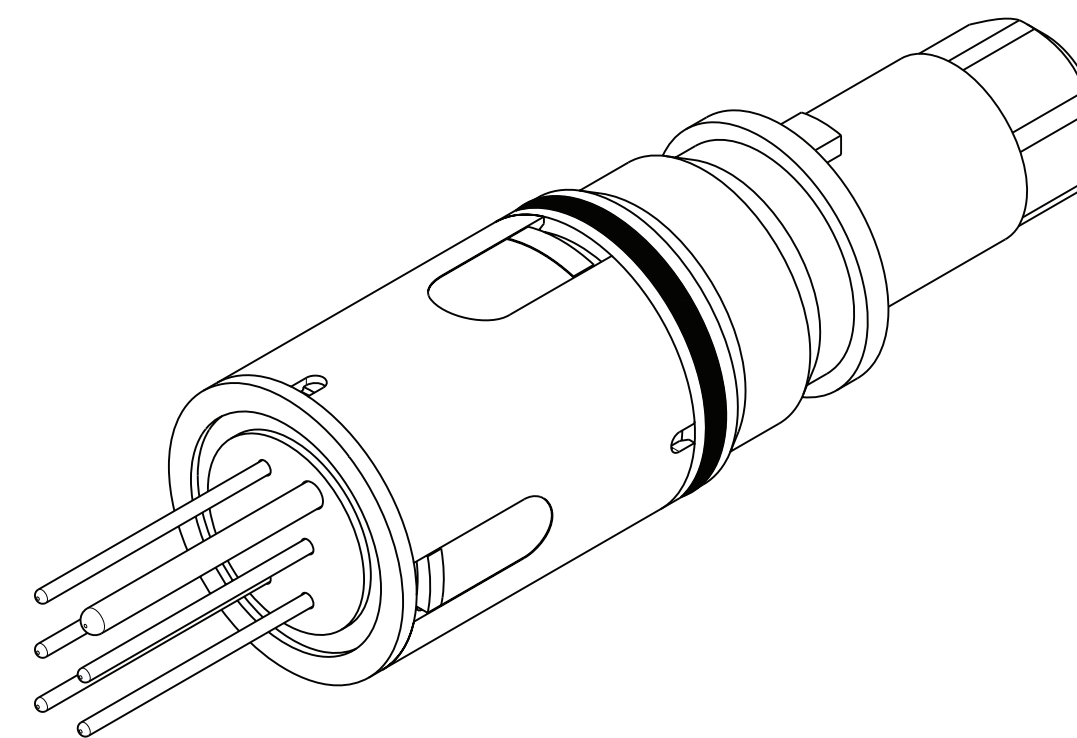
A

INVISIBLE LASER RADIATION
DO NOT VIEW DIRECTLY WITH
OPTICAL INSTRUMENTS
10mW AT 820 - 860nm
CLASS 1M LASER PRODUCT

LASER RADIATION
AVOID EXPOSURE TO BEAM
CLASS 1M PRODUCT



FRONT ISO VIEW
SCALE 5.000



REAR ISO VIEW
SCALE 5.000

- 11. FIBER LINES SHALL BE 850nm SIGNAL COMPATIBLE 50/125 OR 62.5/125 GRADED INDEX MULTIMODE FIBER.
- 10. AVERAGE OPTICAL OUTPUT POWER: >-5dBm
- 9. OPERATING TEMPERATURE: -40°C TO 85°C
STORAGE TEMPERATURE: -40°C TO 85°C
- 8. ASSEMBLY CONTAINS ELECTROSTATIC DISCHARGE (ESD) SENSITIVE COMPONENTS. ASSEMBLY SHALL BE HANDLED, PACKAGED, AND SHIPPED TO MEET REQUIREMENTS OF ANSI/ESD-S-20.20 AND IPC-610.
- 7. STAMP "AMPHENOL", PART NUMBER, DATE CODE & LOT NO.(9-3895) ON INDICATED SURFACE WITH CONTRASTING COLOR PER 9-3856-5.
- 6. PROTECTIVE CAP SHALL BE INSTALLED PRIOR TO SHIPPING.
- 5. PACKAGE PER PRODUCTION PROCESS SHEET.
- 4. BLUE INK STAMP PER 9-3856-5. INK SHALL REMAIN IN INDICATED AREA.
- 3. BLUE RING DENOTES 850nm MULTIMODE TOSA W/ VCSEL LIGHT SOURCE.
- 2. IF ALIGNMENT SLEEVE CAP IS REMOVED FOR CLEANING, TO RE-INSTALL TORQUE TO 22-25 IN-LB (352-400 IN-OZ).
- 1. CONTACT FITS IN STANDARD 38999 SERIES III QUADRAX CAVITIES.

NOTES:

THE USE OF THIS DOCUMENT IS UNLIMITED. HOWEVER, DOCUMENTS REFERENCED HEREON MAY CONTAIN LIMITED RIGHTS DATA.

RELEASED / Jan. 22 2019, 2:15:00 PM

DOCUMENT NO. CF-170900-034

SHEET 2 OF 2

REV. A

SIZE C	CAGE CODE 77820	DOCUMENT NO. CF-170900-034	REV. A
SCALE: 6.0		REF: CF-170900-027	SHEET 2 OF 2

Eng PDM Information For Reference Only

REV. A SHEET 2 OF 2

DOCUMENT NO. CF-170900-034

FORMAT: C-0-E-1