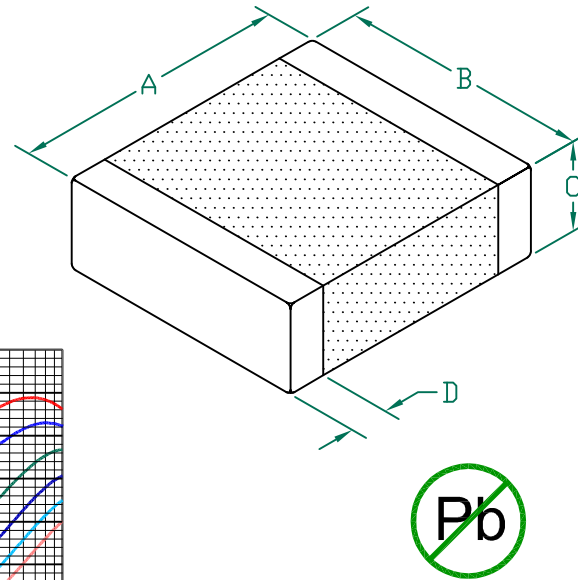


HI2220T101R-10

UNCONTROLLED DOCUMENT

PHYSICAL DIMENSIONS:

A	5.59 [.220]	±	0.51 [.020]
B	5.08 [.200]	±	0.25 [.010]
C	1.80 [.071]	±	0.25 [.010]
D	0.76 [.030]	±	0.25 [.010]



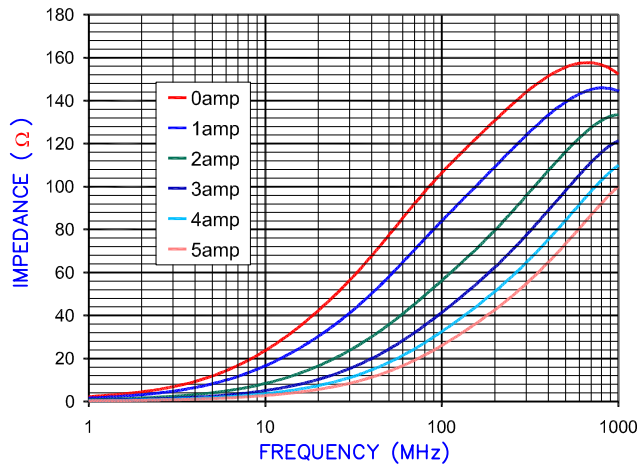
ELECTRICAL CHARACTERISTICS:

	Z @ 100MHz (Ω)	DCR (Ω)	Rated Current
Nominal	100		
Minimum	75		
Maximum	125	0.006	6000 mA

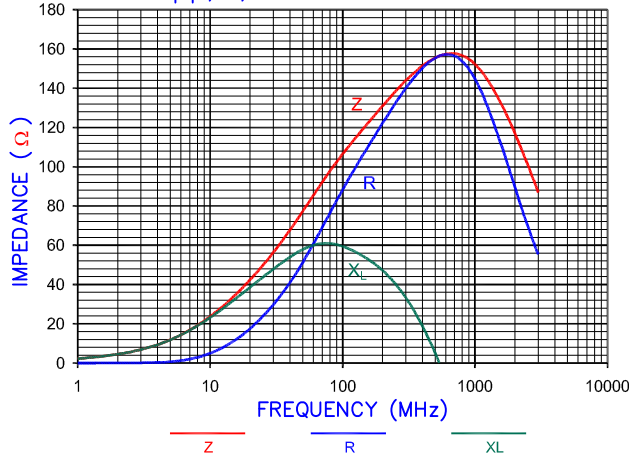
NOTES: UNLESS OTHERWISE SPECIFIED

1. TAPED AND REELED per CURRENT EIA SPECIFICATIONS 13" REELS, 2,000 PCS/REEL.
2. TERMINATION FINISH IS 100% TIN.
3. COMPONENTS SHOULD BE ADEQUATELY PREHEATED BEFORE SOLDERING.
4. OPERATEING TEMPERATURE TEMP: -40°C~+125°C (INCLUDING SELF-HEATING)

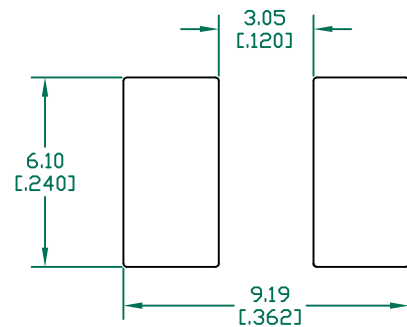
Z vs. FREQUENCY
IMPEDANCE UNDER DC BIAS



|Z|, R, AND XL vs. FREQUENCY

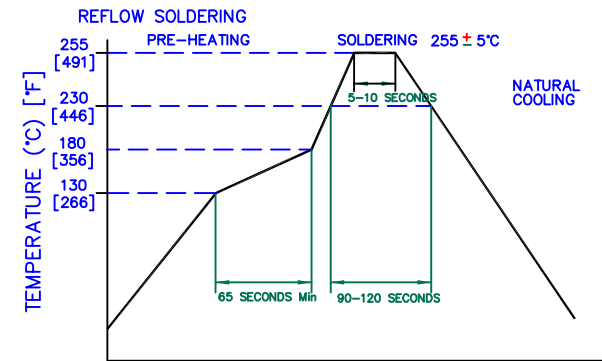


LAND PATTERNS FOR REFLOW SOLDERING



(For wave soldering, add 0.762 [.030] to this dimension)

RECOMMENDED SOLDERING CONDITIONS



DIMENSIONS ARE IN mm [INCHES].				This print is the property of Laird Technologies and is loaned in confidence subject to return upon request and with the understanding that no copies shall be made without the written consent of Laird Technologies. All rights to design or invention are reserved.			
				Laird			
PROJECT/PART NUMBER:				REV	PART TYPE:	DRAWN BY:	
C ADD OPERATING TEMPERATURE UPDATE LAIRD LOGO AND REFLOW CURVE 08/05/13 QU				HI2220T101R-10	C	CO-FIRE	TMB
B UPDATE COMPANY LOGO ADD ROHS SYMBOL 02/14/08 JRK				DATE:	04/03/04	SCALE:	NTS
A ORIGINAL DRAFT 04/03/04 TMB				CAD #		TITLE	
REV DESCRIPTION				DATE	INT	TOOL #	
				HI2220T101R-10-C		2 of 2	