

## Cable sleeve - CES-SRG-BK-14 - 0801615

Please be informed that the data shown in this PDF Document is generated from our Online Catalog. Please find the complete data in the user's documentation. Our General Terms of Use for Downloads are valid (<http://download.phoenixcontact.com>)



Small, slotted cable sleeves suitable for cables with a diameter of 13 ... 14 mm, material: NBR

### Product description

Slotted sleeves for accommodating pre-assembled cables and lines with a diameter of 13 ... 14 mm, can be used in CES sealing frames. When fitted, the sleeves also ensure strain relief according to DIN EN 50262.



### Key commercial data

Packing unit	0
Minimum order quantity	1
GTIN	 4 046356 674737
Custom tariff number	40169300
Country of origin	POLAND

### Classifications

#### ETIM

ETIM 3.0	EC000879
ETIM 4.0	EC000451
ETIM 5.0	EC000451

#### UNSPSC

UNSPSC 11	39121708
UNSPSC 12.01	39121708
UNSPSC 13.2	39121708
UNSPSC 6.01	30212109
UNSPSC 7.0901	39121708

#### eCl@ss

eCl@ss 4.0	27081002
eCl@ss 4.1	27081002
eCl@ss 5.0	27081002
eCl@ss 5.1	27081002

## Cable sleeve - CES-SRG-BK-14 - 0801615

### Classifications

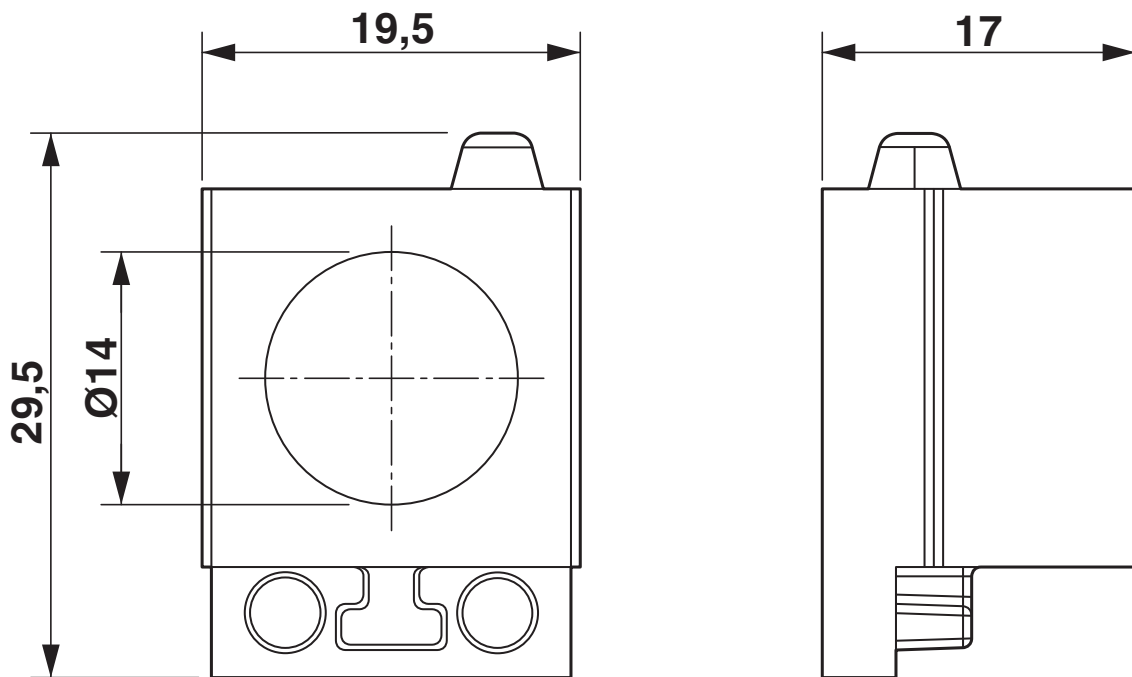
eCl@ss

eCl@ss 6.0	27081002
eCl@ss 7.0	27081002

### Drawings

# Cable sleeve - CES-SRG-BK-14 - 0801615

Dimensioned drawing



Dimensional drawing

