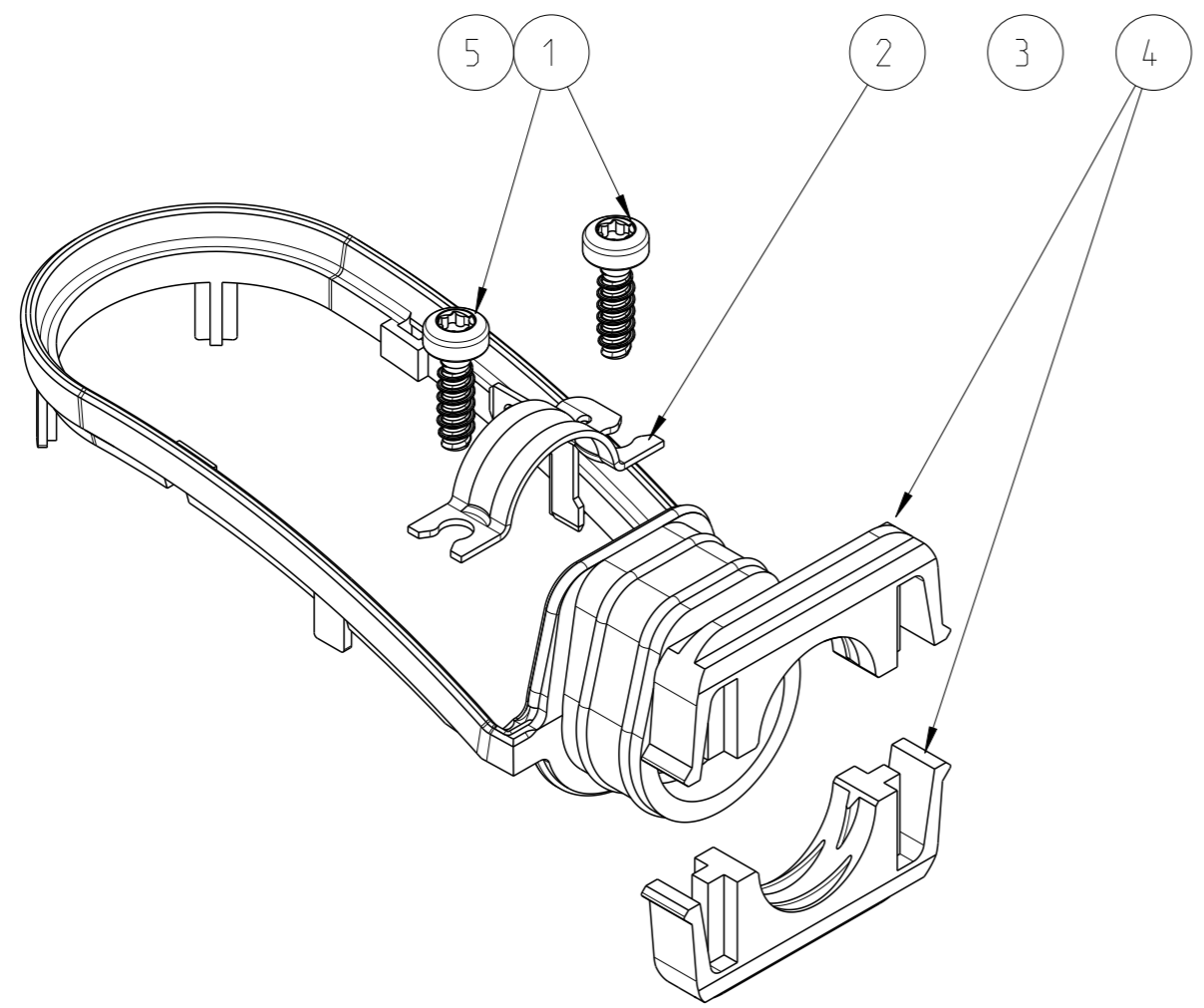


THIS DRAWING IS UNPUBLISHED  
 VERTRAULICHE UNVEROFFENTLICHTE ZEICHNUNG  
 © COPYRIGHT 2009 Tyco Electronics AMP GmbH  
 RELEASED FOR PUBLICATION  
 FREI FUER VEROFFENTLICHUNG  
 14.Oct. 2009  
 ALL RIGHTS RESERVED.  
 ALLE RECHTE VORBEHALTEN.

LOC	DIST	REVISIONS ÄNDERUNGEN					
AI	-	P	LTR	DESCRIPTION BESCHREIBUNG	DATE	DWN	APVD
PROJEKT NR.:			D1	OUTLINE OF SEALING CHANGED	11DEC2012	KHH	PK
			D2	TITLE BLOCK: NAME CHANGED	09OCT2015	ER	DO



- Notes
- 1 SUITABLE HOUSINGS: SERIES HC26  
CUSTOMER DRAWING: 1103434, 1103437
  - 2 STANDARDS:  
DIN EN 61984, DIN EN 60664-1
  - 3 PACKAGING PN 0-1 / 0-2:  
40 SETS IN A CARTON
  - 4 PACKAGING PN 0-3:  
1000 PIECES IN A CARTON
  - 5 PACKAGING PN 0-4:  
500 PIECES IN A CARTON
  - 6 PACKAGING PN 0-5:  
500 PIECES IN A CARTON
  - 7 PACKAGING PN 0-6:  
1000 PIECES IN A CARTON
  - 8 WIRE SIZE 11.5-12

-	-	-	-	2	-	SCREW FOR METAL	STEEL	ZINC PLATED	WN5152, 10P2.58	5
-	-	-	1	2	2	STRAIN RELIEF	PBT-GF10	GREY	SERIES HC26. CONN. WIRE SIZE 12MM	4
-	-	1	-	1	1	SEALING	FKM	GREY	SERIES HC26. WIRE SIZE 11.5-12.0	3
-	1	-	-	1	1	SCREEN TERMINATION	COPPER ALLOY	TIN PLATED	SERIES HC26. CONN.HSG	2
1	-	-	-	-	2	SCREW FOR PLASTICS	STEEL	ZINC PLATED	WN5452, 10IP2.5x8	1
0-6	0-5	0-4	0-3	0-2	0-1					
PN/QTY						DESCRIPTION	MATERIAL	COLOR/SURFACE	NOTE	ITEM

PARTS LIST (PER UNIT)

DIESE ZEICHNUNG IST EIN KONTROLLIERTES DOKUMENT. BEMASSUNGEN UND TOLERANZEN GEMAESS GPS (ISO STANDARDS).		TOLERANCING ISO 8015 TOLERIERUNG ISO 8015	
THIS DRAWING IS A CONTROLLED DOCUMENT. DIMENSIONING AND TOLERANCING PER GPS (ISO STANDARDS).		TE Connectivity	
DIMENSIONS: MASSEINHEITEN: MM 			
TOLERANCES UNLESS OTHERWISE SPECIFIED: ALLGEMEINTOLERANZEN 0 PLC ± 1 PLC ± 2 PLC ± 3 PLC ± 4 PLC ± ANGLES/WINKEL ±1° FINISH/OBERFLAECHE/FARBE -		NAME ACCESSORY KIT SERIES HC26, ANGLED CONN. HSG. CIRCULAR HYBRID CONNECTOR	
MATERIAL -		RESTRICTED TO NUR FUER -	
G.W.ROBLEWSKI H.BRAUN T.SCHNURPFIL		SIZE A3 CAGE CODE 00779 DRAWING NO. ZEICHNUNGS-NR. C=1103519	
G.W.ROBLEWSKI H.BRAUN T.SCHNURPFIL		SCALE MASSSTAB 2:1	
G.W.ROBLEWSKI H.BRAUN T.SCHNURPFIL		SHEET BLATT 1 OF VON 1	
G.W.ROBLEWSKI H.BRAUN T.SCHNURPFIL		REV D2	