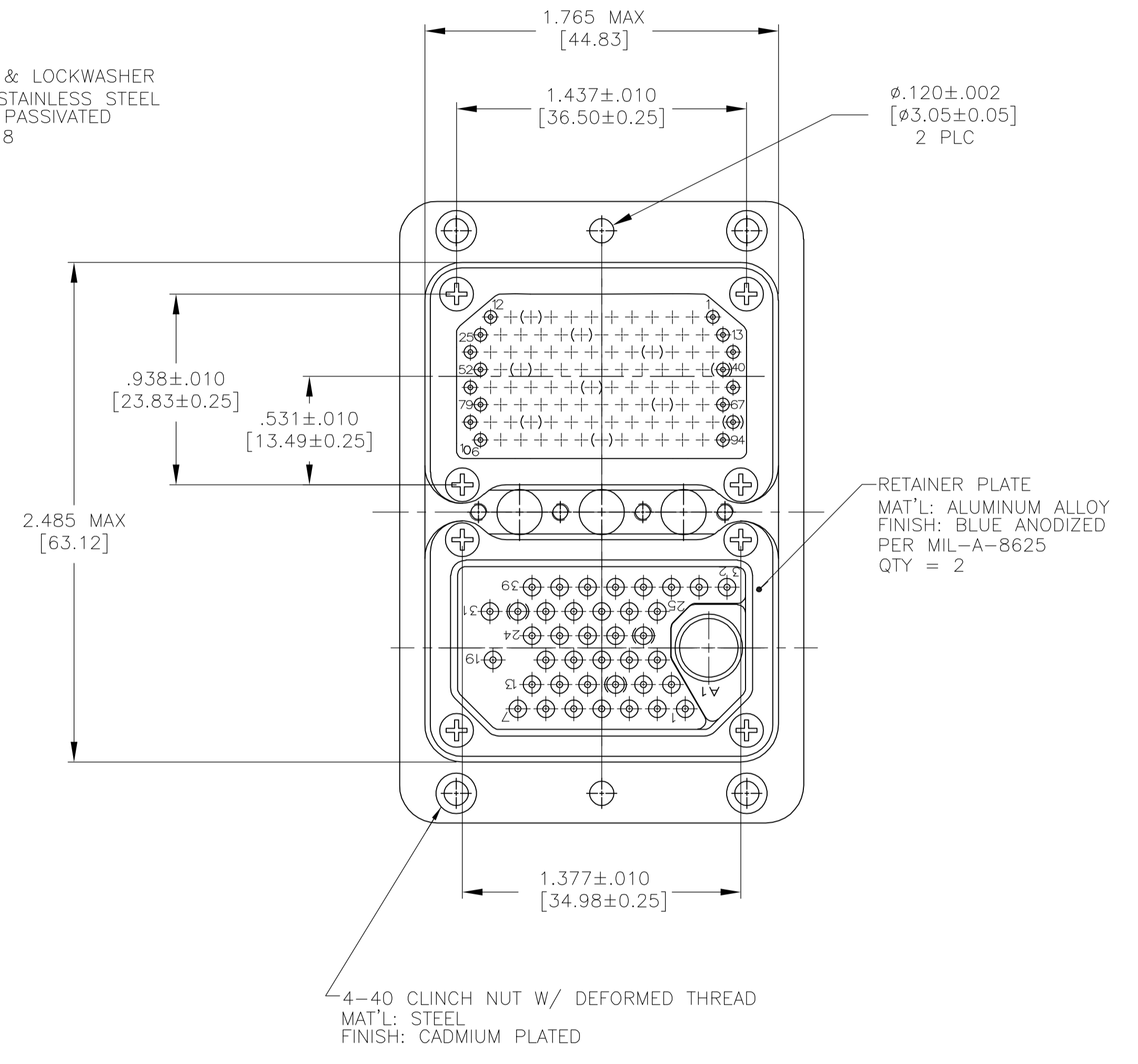
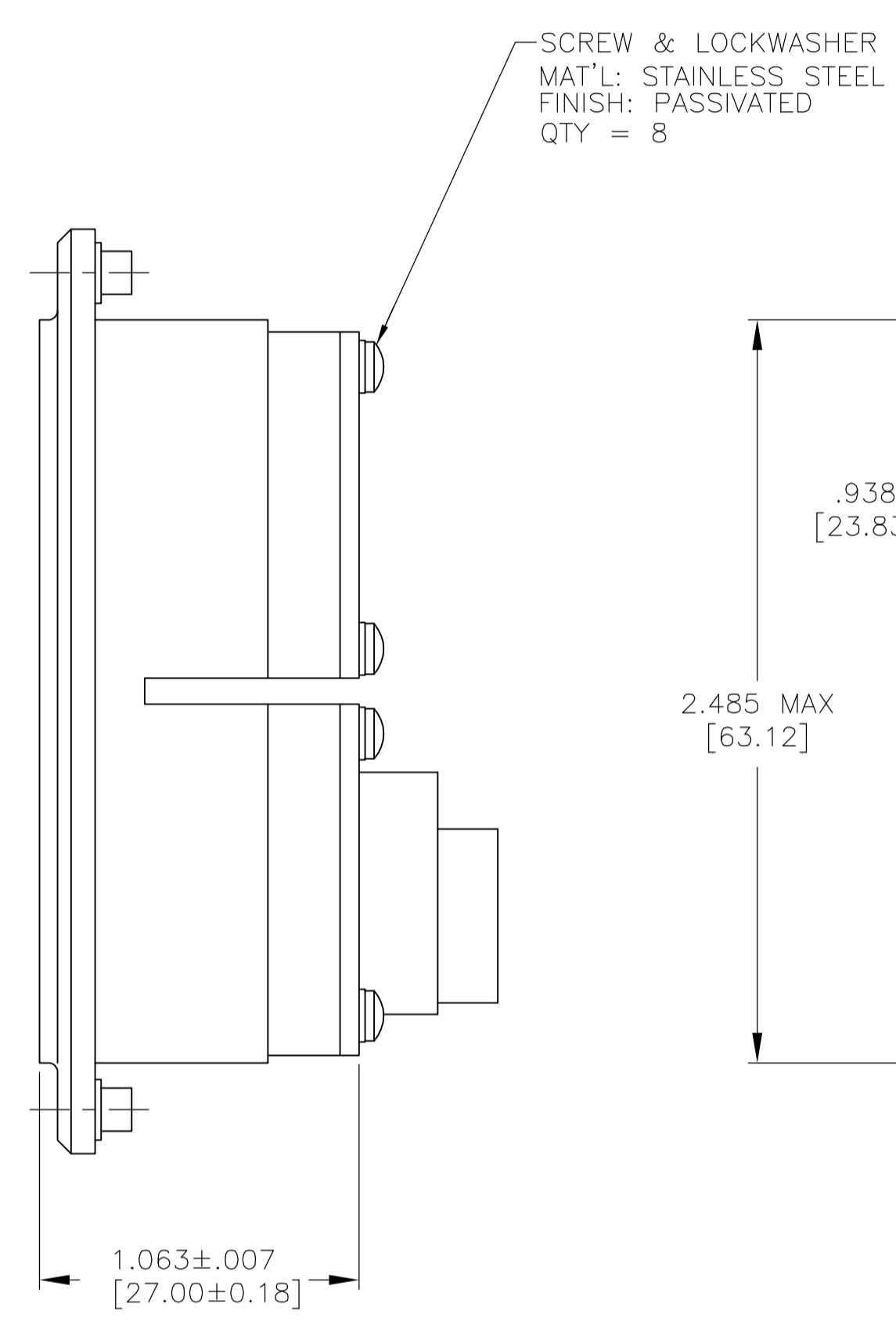
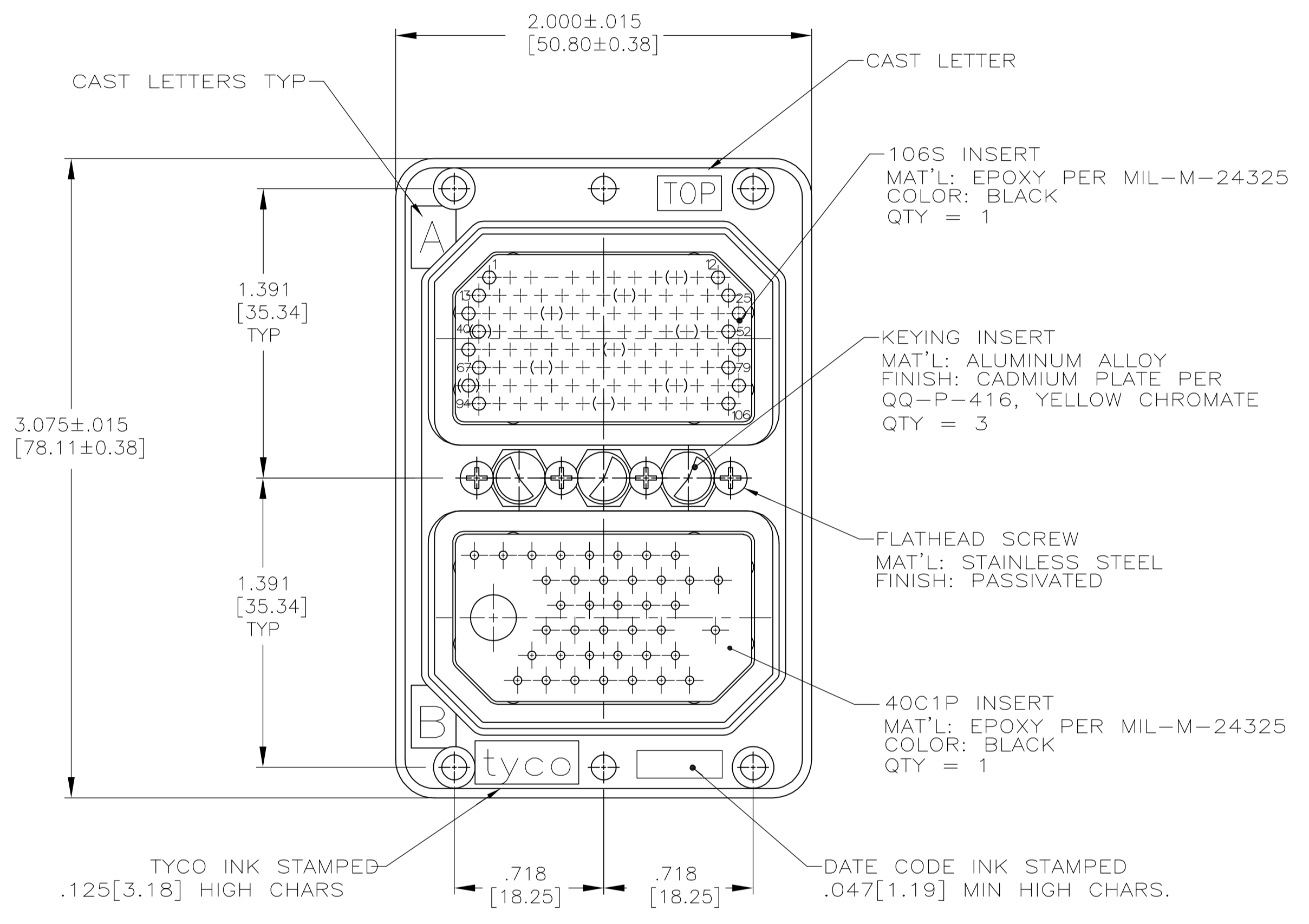
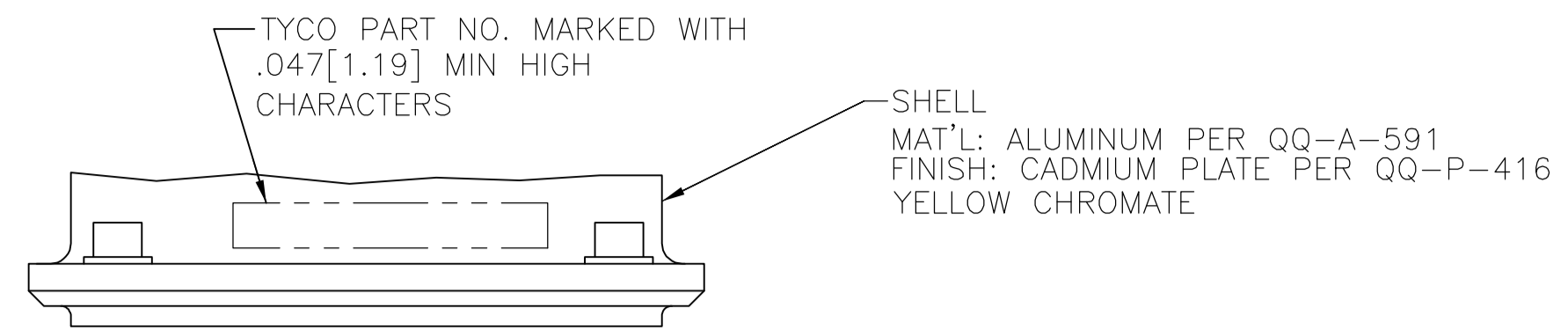


LOC		DIST		REVISIONS			
DF	AO	REV	PER	ECO	DATE	BY	APP'D
A		REV PER ECO	06-14919		6-23-06	CT	DE



- CONTACTS ARE SHIPPED UNASSEMBLED WITH CONNECTOR.
- KEYING INSTALLED IN POSITION "44".

1757337-1
 PART NUMBER

THIS DRAWING IS A CONTROLLED DOCUMENT.		DWG C.C.THOMAS	18JAN05	Tyco Electronics Corporation Harrisburg, Pa 17105-3608
DIMENSIONS: INCHES [mm]		CHK LARRY OH	1-18-05	
TOLERANCES UNLESS OTHERWISE SPECIFIED:		APVD LARRY OH	1-18-05	NAME RECEPTACLE ASSEMBLY, ARINC 404 RM2R106S40C1P-0144 (200)
0 PLC ± -	1 PLC ± -	APPLICATION SPEC	SIZE A1	CAGE CODE 00779
2 PLC ± -	3 PLC ± -	WEIGHT	DRAWING NO 1757337	RESTRICTED TO
4 PLC ± -	ANGLES ± -	CUSTOMER DRAWING	SCALE 2:1	SHEET 1 OF 1
MATERIAL SEE CALLOUTS	FINISH SEE CALLOUTS			REV A