

THIS DRAWING IS UNPUBLISHED.

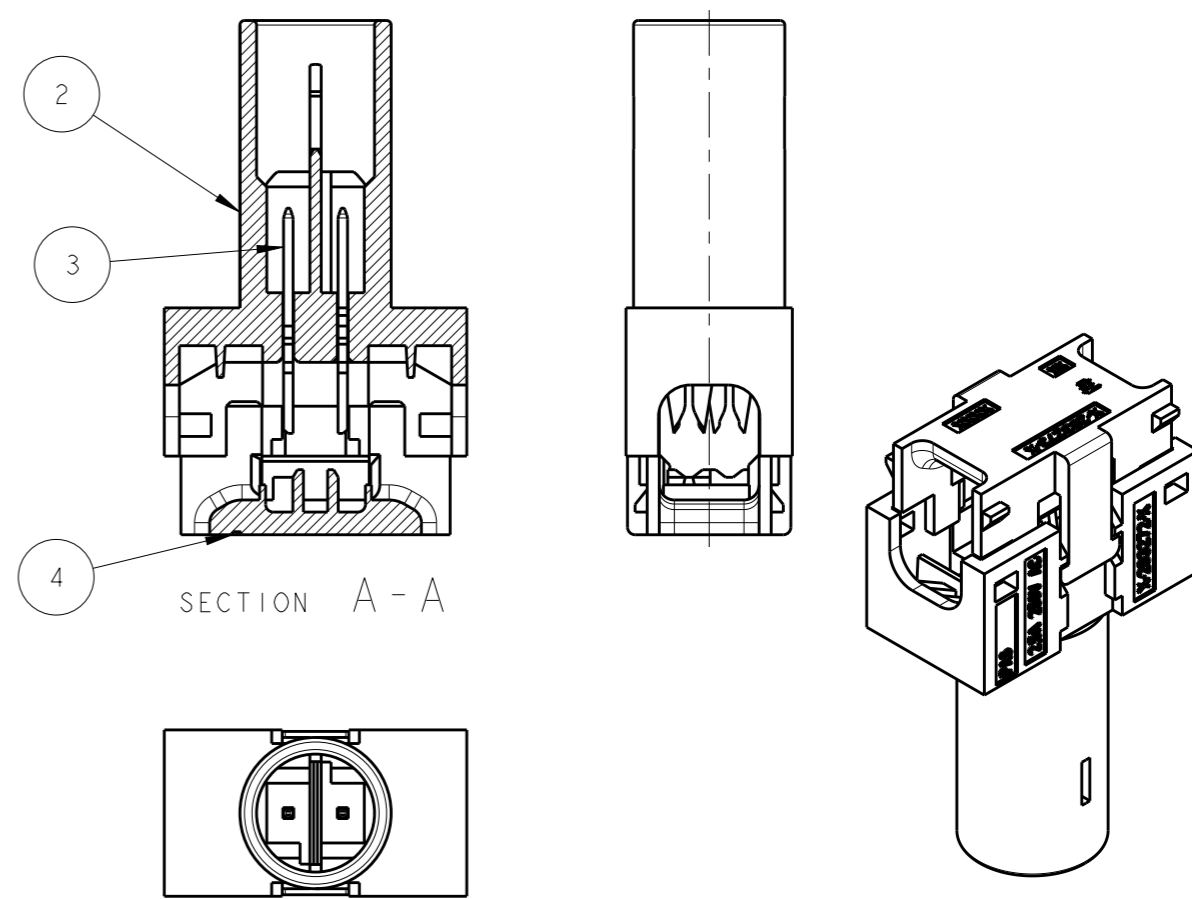
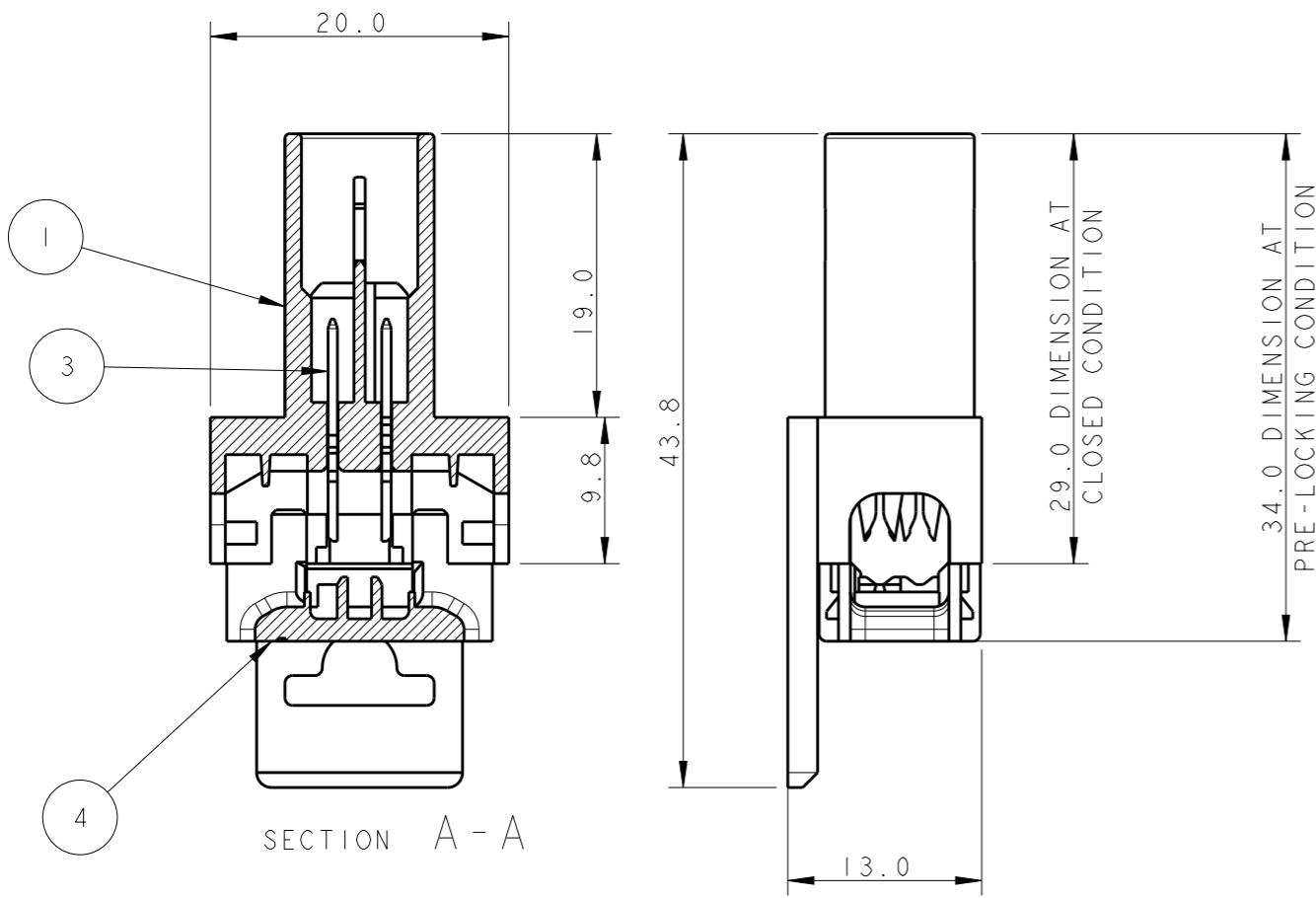
RELEASED FOR PUBLICATION

20

© COPYRIGHT 20 Tyco Electronics AMP GmbH

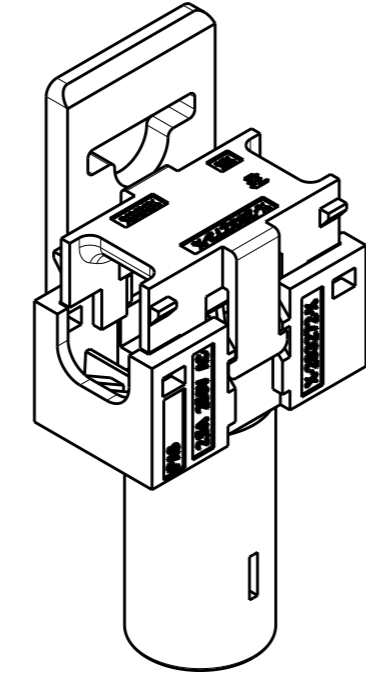
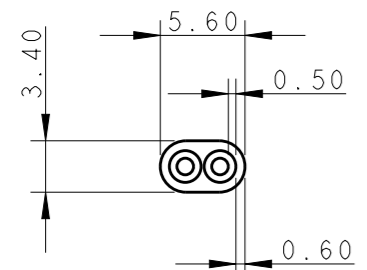
ALL RIGHTS RESERVED.

LOC	DIST	REVISIONS				
P	LTR	DESCRIPTION	DATE	DWN	APVD	
A1	-	L	IMPROVED LOCKING RETENTION TEETH	20MAY2011	AV	GT
		M	REMOVED H05VVH2-F CABLE	22AUG2012	MZ	JC
		N	ECR-16-004670	26APR2016	RS	JL



CABLE CONFIGURATION

CABLE H03VVH2-F
2x0.75 mm²



P/N 0-293300-1;-2 AS SHOWN
POLARIZATION KEY HV-1

MISSING DIMENSION SEE P/N 0-...-1

P/N 0-293300-3;-4 AS SHOWN
POLARIZATION KEY HV-1

THIS DRAWING IS A CONTROLLED DOCUMENT.		DWN A. Vecchia	23APR2007	STE TE Connectivity
DIMENSIONS: mm		CHK G. Turco	23APR2007	
TOLERANCES UNLESS OTHERWISE SPECIFIED:		APVD G. Turco	23APR2007	NAME BUS BAR 2 POSITION GENERAL
0 PLC ±-		PRODUCT SPEC	108-94018	SIZE
1 PLC ±0.3		APPLICATION SPEC	114-20131	CAGE CODE
2 PLC ±0.05		WEIGHT	-	DRAWING NO
3 PLC ±-		CUSTOMER DRAWING	SCALE 2:1	SHEET 1 OF 2
4 PLC ±-				
ANGLES ±°		RESTRICTED TO		
FINISH -		A300779 C-293300		
MATERIAL -		REV N		

