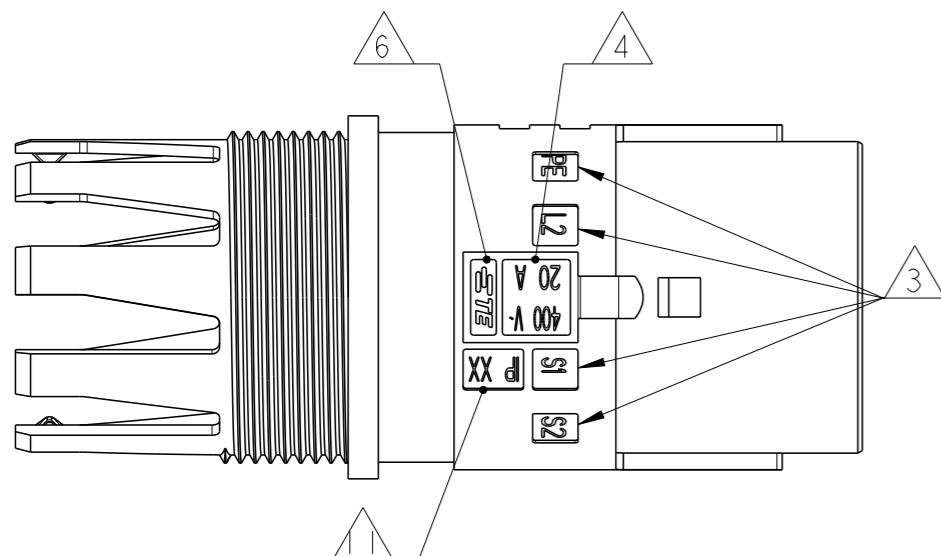
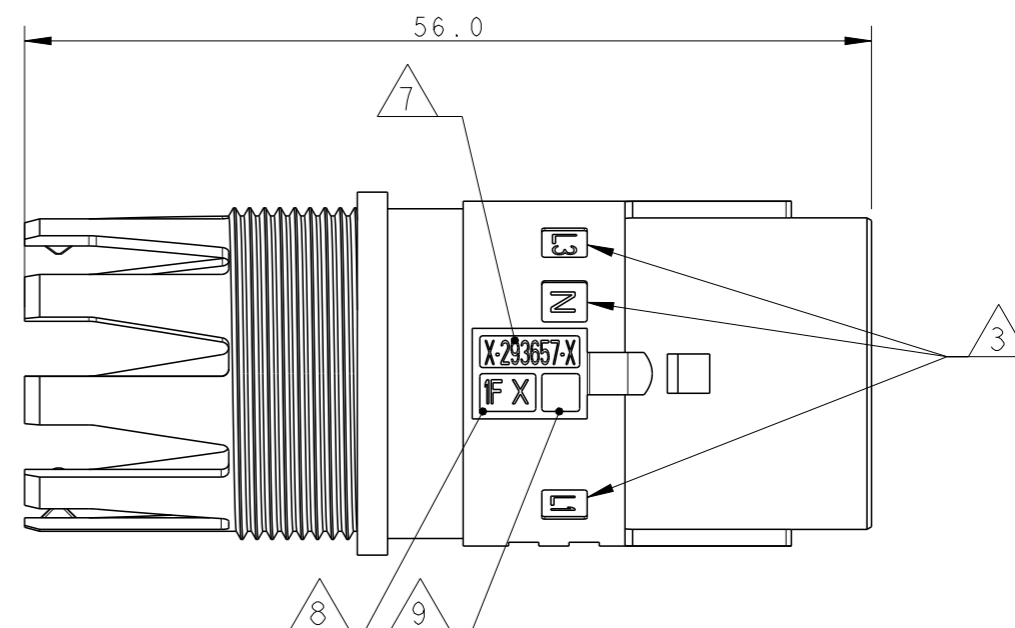
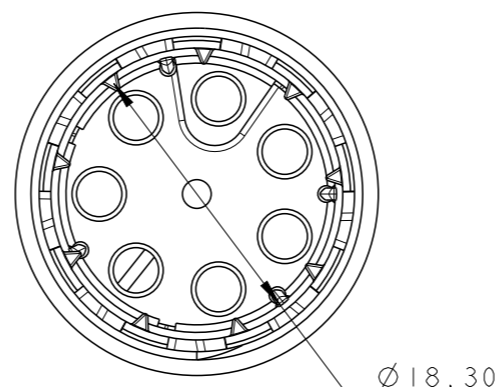
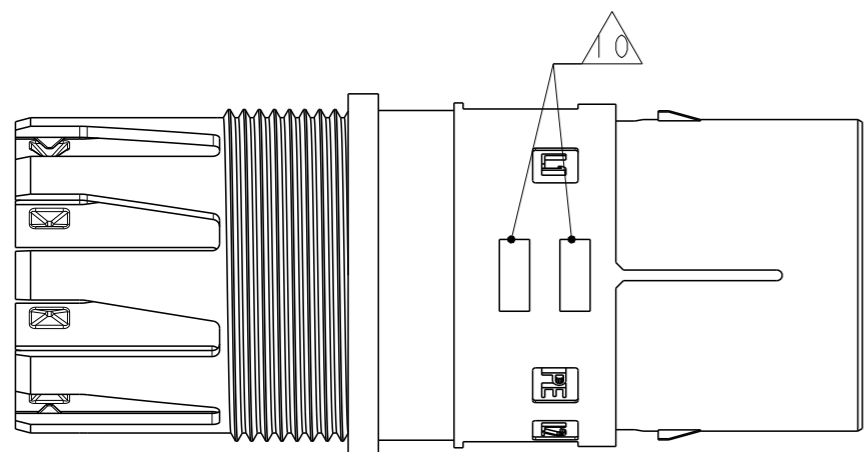


| LOC | 1 |
|-----|---|
|-----|---|

| DIST | - |
|------|---|
|------|---|

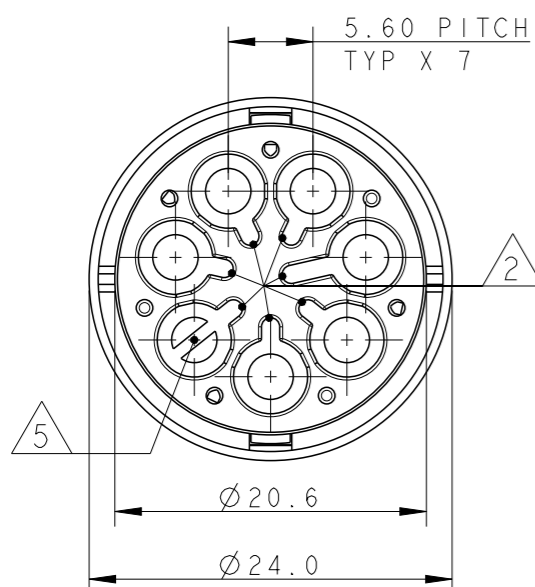
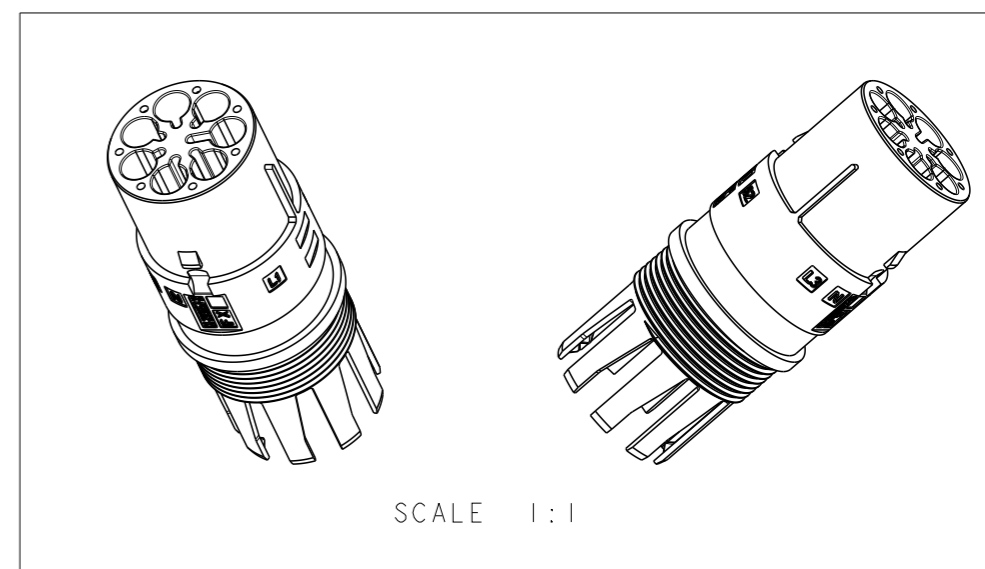
| REVISIONS | | | | | |
|-----------|-----|-------------------------------|-----------|-----|------|
| P | LTR | DESCRIPTION | DATE | DWN | APVD |
| | 6 | UPDATED | 23JUL2013 | MZ | JC |
| | 7 | REVISED LATCH SHAPE | 05AUG2013 | KR | JC |
| | A | PARTS RELEASED FOR PRODUCTION | 13NOV2013 | KR | JC |

PRELIMINARY



NOTES:

- 1 MATERIAL: PA GF (NATURAL AND BLACK COLOUR)
- 2 ALL POLARIZATION KEYS SHOWN FOR REF ONLY
- 3 WAYS I.D.
- 4 VOLTAGE AND CURRENT RATINGS
- 5 RIB CLOSING CAVITY BY CHANGE OVER
- 6 TE LOGO
- 7 TE PART NUMBER
- 8 DATA CODE AND CAVITY I.D.
- 9 AREA FOR AGENCIES APPROVAL LOGO
- 10 VISUAL INDICATOR FOR PE CONDUCTOR
- 11 IP CODE



| | |
|--|--|
| THIS DRAWING IS A CONTROLLED DOCUMENT. | |
| DIMENSIONS: mm | TOLERANCES UNLESS OTHERWISE SPECIFIED: |
| | 0 PLC ±- |
| | 1 PLC ±0.3 |
| | 2 PLC ±0.20 |
| | 3 PLC ±- |
| | 4 PLC ±- |
| | ANGLES ±3° |
| MATERIAL NOTE 1 | FINISH - |

| | | |
|------------------|-------------|-----------|
| DWN | A. BERNARDI | 31MAR2011 |
| CHK | M. ZUCCA | 31MAR2011 |
| APVD | G. TURCO | 31MAR2011 |
| PRODUCT SPEC | 108-20324 | |
| APPLICATION SPEC | 114-20169 | |
| WEIGHT | - | |
| Customer Drawing | | |

| | | | |
|---|-----------|--------------|---------------|
| STE TE Connectivity | | | |
| NAME PIN HSG 6 POLES FREE HANGING NECTOR M-LINE UNSEALED VERSION | | | |
| SIZE | CAGE CODE | DRAWING NO | RESTRICTED TO |
| A300779 | C-293657 | | - |
| SCALE 2:1 | | SHEET 1 OF 2 | REV A |

THIS DRAWING IS UNPUBLISHED.

RELEASED FOR PUBLICATION

2011

© COPYRIGHT 2011 BY -

ALL RIGHTS RESERVED.

| LOC | DIST | REVISIONS | | | | | |
|-----|------|-----------|-----|-------------|------|-----|------|
| | | P | LTR | DESCRIPTION | DATE | DWN | APVD |
| 1 | - | - | - | SEE SHEET 1 | - | - | - |
| | | | | | | | |
| | | | | | | | |


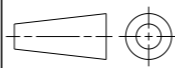
POLARIZATION TYPES

| POLARIZATION TYPE "D" | POLARIZATION TYPE "E" | POLARIZATION TYPE "F" |
|---|--|---|
|  |  |  |
| PNs 0-293657-3 AND 0-293657-3 | PNs 0-293657-4 AND 1-293657-4 | PNs 0-293657-5 AND 0-293657-5 |

TABLE 1

| | | | | | |
|-------------|--------------------|---------------|---|-------------|------------|
| | E | BLACK | PIN HSG 6 POLES FREE HANGING NECTOR* M-LINE | A | 1-293657-5 |
| | D | BLACK | PIN HSG 6 POLES FREE HANGING NECTOR* M-LINE | A | 1-293657-4 |
| | C | BLACK | PIN HSG 6 POLES FREE HANGING NECTOR* M-LINE | A | 1-293657-3 |
| | E | NATURAL | PIN HSG 6 POLES FREE HANGING NECTOR* M-LINE | A | 0-293657-5 |
| | D | NATURAL | PIN HSG 6 POLES FREE HANGING NECTOR* M-LINE | A | 0-293657-4 |
| | C | NATURAL | PIN HSG 6 POLES FREE HANGING NECTOR* M-LINE | A | 0-293657-3 |
| NOTE | POL. KEYING | COLOUR | DESCRIPTION | REV. | P/N |

PRELIMINARY

| | | | | |
|---|-------------|---------------------------------|---|--------------------|
| THIS DRAWING IS A CONTROLLED DOCUMENT. | | DWN A. BERNARDI 31MAR2011 |  TE Connectivity | |
| DIMENSIONS: mm | | CHK M. ZUCCA 31MAR2011 | | |
| TOLERANCES UNLESS OTHERWISE SPECIFIED: | | APVD G. TURCO 31MAR2011 | NAME PIN HSG 6 POLES FREE HANGING NECTOR M-LINE UNSEALED VERSION | |
|  | | PRODUCT SPEC 108-20324 | RESTRICTED TO | |
| 0 PLC ±- 1 PLC ±0.3 2 PLC ±0.20 3 PLC ±- 4 PLC ±- ANGLES ±3° | | APPLICATION SPEC 114-20169 | SIZE A3 | CAGE CODE 00779 |
| MATERIAL NOTE 1 | FINISH - | WEIGHT - | DRAWING NO C-293657 | REV A |
| Customer Drawing | | | SCALE 2:1 | SHEET 2 OF 2 |