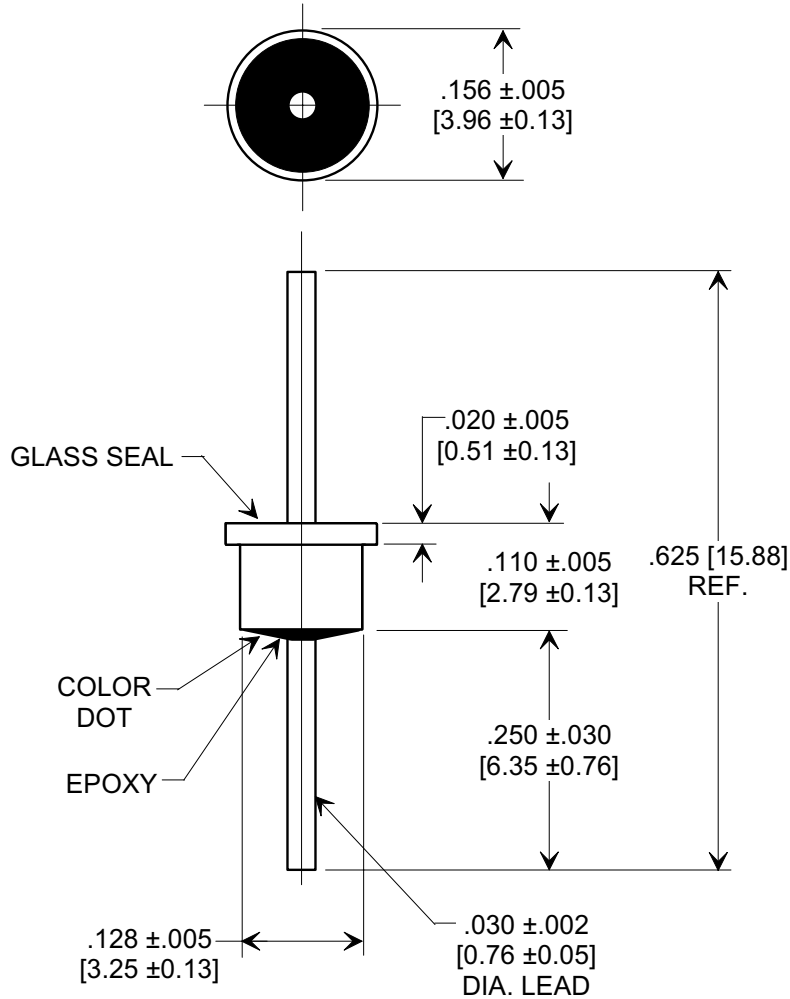


**MARKETING SALES DRAWING**  
 DIMENSIONS IN INCHES - DO NOT SCALE THIS DRAWING  
 DIMENSIONS IN METRIC - [ ]

Electrical Testing  
 per Tusonix standard  
 test plans and Mil-Std-202  
 Test Methods.



**NOTES:**

- Operating temperature range: -55°C to +125°C.
- Gold plated case and lead.
- Epoxy sealed on opposite end from glass seal.
- Max. recommended soldering temperature: 260°C.  
See installation recommendations.
- Recommended mounting hole: .135 dia.
- Solder preform available for mounting.
- Tusonix Standard part number: 4300-020.  
Tusonix RoHS compliant part number: 4300-020 LF.  
Customer must specify Standard or RoHS part number when ordering.
- RoHS compliant part marked with additional dark green dot for identification.

Cx (pF)	TOL.	DC WORKING VOLTAGE		I.R. MIN. @ 100 (VDC.)	DWV (VDC)	DC CURRENT (AMPS)	MIN. NO LOAD INSERTION LOSS (dB) @ 25° C PER MIL-STD-220					COLOR CODE
		85°C	125°C				1 MHz	10 MHz	100 MHz	1 GHz	10 GHz	
100	GMV	300	200	10 G	500	5	---	---	3	20	28	GREEN

REVISION RECORD Original Release C.O. <b>5261</b> VARS 025, 026, 027 & 1MHz COLUMN ADDED. L.E. 11-07-90 <b>5591</b> VARS 681 WAS 030 & VAR 031 ADDED. L.E. 06-10-91 <b>5966</b> RDN TO COMP FMP. STYLE DWG SPLIT FOR EACH VAR. S.M. 10-02-02 <b>20021001-8-01</b> ADDED NOTES 7 & 8. S.M. 05-23-05 <b>20050511-2-21</b>	--TOLERANCES-- Unless Otherwise Specified		Title <b>SOLDER MOUNT EMI FILTER</b>		
	DECIMAL ± NOTED		Drawn	S.M. 10-02-02	Scale 5 X
	ANGLES ±		Approved	T.C. 10-02-02	
	<b>TUSONIX</b> TUCSON, ARIZONA		<b>A</b>	<b>4300-020</b>	

X-2015 Rev-0