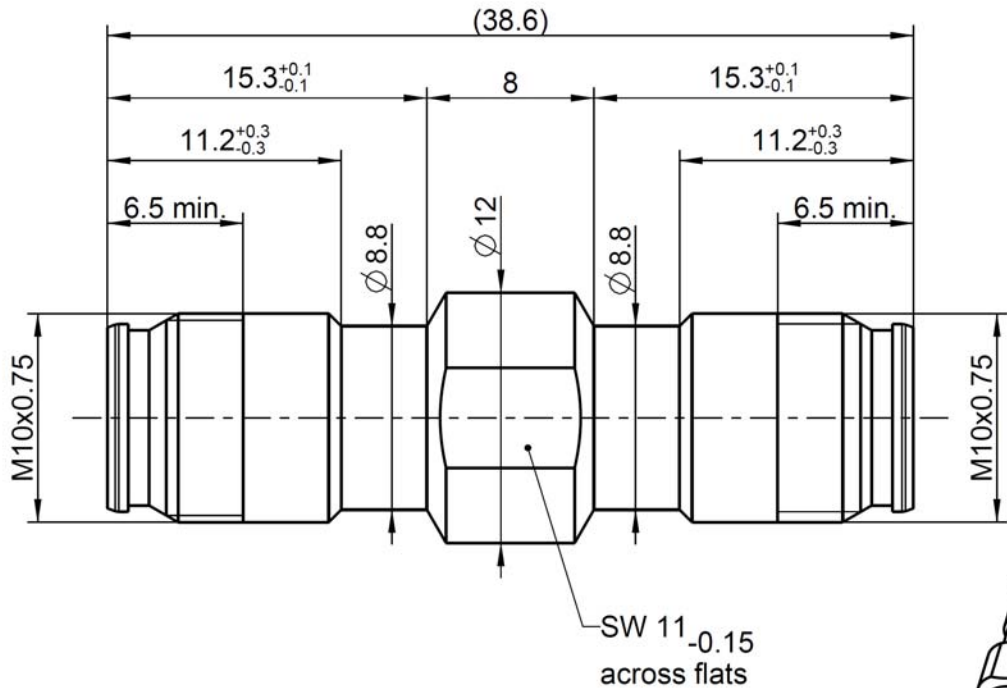


Adaptor  
NEX10 jack –NEX10 jack

**89K101-K00N1**



All dimensions are in mm; tolerances according to ISO 2768 m-H

**Interface**

According to NEX10 side: NEX10™

**Documents**

Assembly instruction N/A

**Material and plating**

**Connector parts**

Center contact  
Outer contact  
Body  
Dielectric

**Material**

CuBe  
Brass  
Brass  
PTFE

**Plating**

Silver, 3-6 µm  
White bronze(e.g. Optalloy®)  
White bronze(e.g. Optalloy®)

**Electrical data**

Impedance	50 Ω
Frequency	DC to 20 GHz
Return loss	≥ 30 dB @ DC to 4 GHz ≥ 28 dB @ 4 GHz to 6 GHz ≥ 25 dB @ 6 GHz to 10 GHz
Insertion loss	≤ 0.05 x √ f [GHz] dB
Insulation resistance	≥ 5 GΩ
Center contact resistance	≤ 1.5 mΩ, NEX10 side
Outer contact resistance	≤ 1.5 mΩ, NEX10 side
Working voltage	500 V rms
RF-leakage	≥ 110 dB @ DC to 6 GHz (tool tightened plugs)
Power handling	100 W @ 2.0 GHz and 85°C ambient temperature

**Mechanical data**

Mating cycles	≥ 100
Recommended torque	1.5 Nm

**Environmental data**

Temperature range	-55 °C to +90 °C operating temperature
Thermal shock	IEC 61169-1 9.4.4
Vibration	IEC 61169-1 9.3.3 and IEC 60068-2-64
Shock	IEC 61169-1 9.3.14
Degree of protection (mated pair)	IEC 60529, IP68 24h / 1m
RoHS	compliant

**Tooling**

N/A

**Suitable cables**

N/A

**Weight**

Weight	17.54g/pce
--------	------------

While the information has been carefully compiled to the best of our knowledge, nothing is intended as representation or warranty on our part and no statement herein shall be construed as recommendation to infringe existing patents. In the effort to improve our products, we reserve the right to make changes judged to be necessary.

Draft	Date	Approved	Date	Rev.	Engineering change number	Name	Date
F. Fraunhofer	15.12.17	F. Fraunhofer	28.05.19	a00	19-s019	A_Wallner	28.05.19
Rosenberger Hochfrequenztechnik GmbH & Co. KG P.O.Box 1260 D-84526 Tittmoning Germany <a href="http://www.rosenberger.de">www.rosenberger.de</a>						Tel. : +49 8684 18-0 Email : <a href="mailto:info@rosenberger.de">info@rosenberger.de</a>	
							Page
							2 / 2