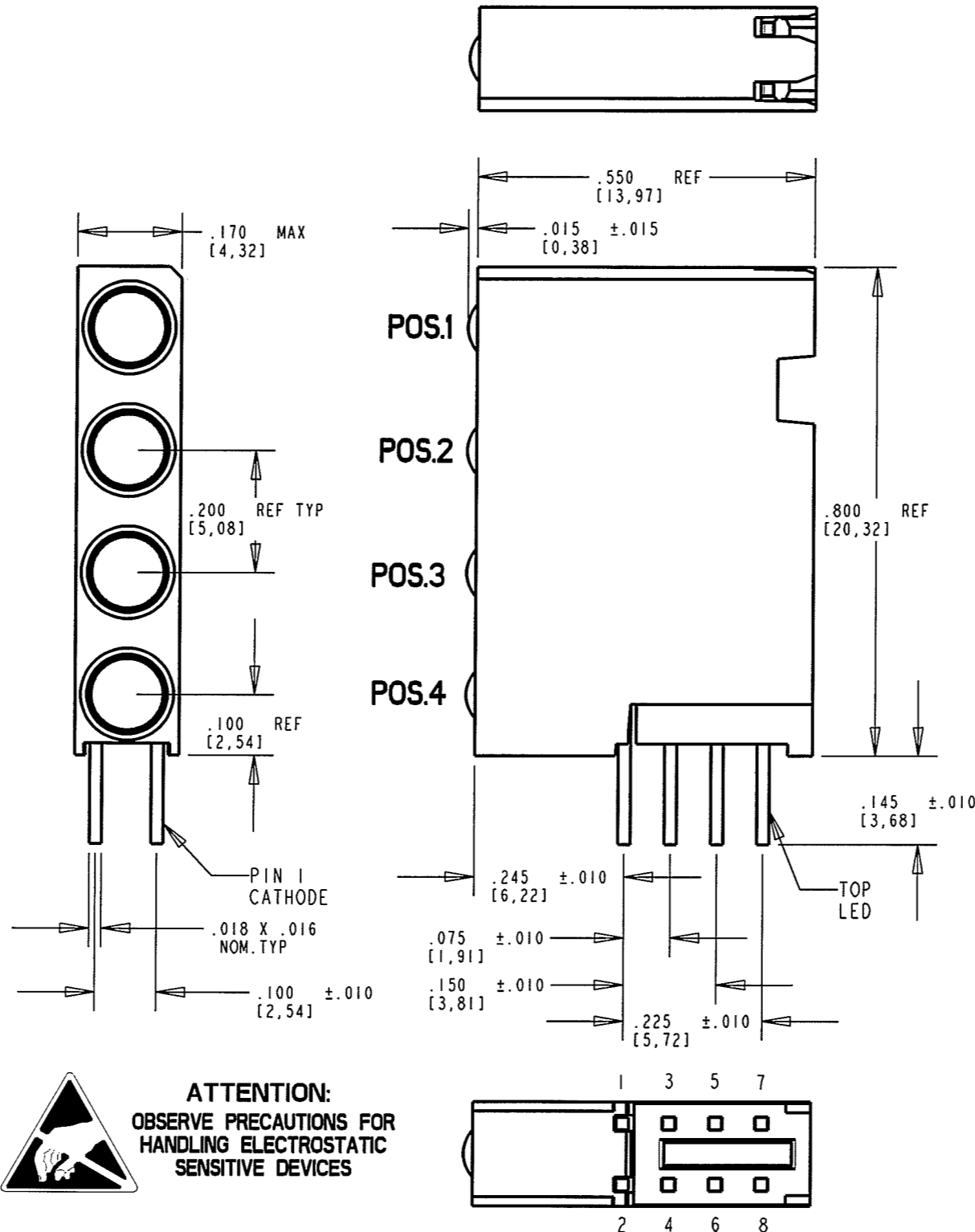


PART NUMBER	LED COLOR			
	POS. 1	POS. 2	POS. 3	POS. 4
568-2211-023F	RED	BLANK	GREEN	YELLOW
568-2211-111F	RED	RED	RED	RED
568-2211-112F	RED	RED	RED	GREEN
568-2211-122F	RED	RED	GREEN	GREEN
568-2211-132F	RED	RED	YELLOW	GREEN
568-2211-133F	RED	RED	YELLOW	YELLOW
568-2211-212F	RED	GREEN	RED	GREEN
568-2211-232F	RED	GREEN	YELLOW	GREEN
568-2211-310F	RED	YELLOW	RED	BLANK
568-2211-311F	RED	YELLOW	RED	RED
568-2211-312F	RED	YELLOW	RED	GREEN
568-2212-102F	GREEN	RED	BLANK	GREEN
568-2212-113F	GREEN	RED	RED	YELLOW
568-2212-131F	GREEN	RED	YELLOW	RED
568-2212-222F	GREEN	GREEN	GREEN	GREEN
568-2212-223F	GREEN	GREEN	GREEN	YELLOW
568-2212-232F	GREEN	GREEN	YELLOW	GREEN
568-2212-233F	GREEN	GREEN	YELLOW	YELLOW
*568-2212-239F	GREEN	GREEN	YELLOW	BLUE
568-2212-322F	GREEN	YELLOW	GREEN	GREEN
568-2212-323F	GREEN	YELLOW	GREEN	YELLOW
*568-2212-329F	GREEN	YELLOW	GREEN	BLUE
568-2213-111F	YELLOW	RED	RED	RED
568-2213-232F	YELLOW	GREEN	YELLOW	GREEN
*568-2213-292F	YELLOW	GREEN	BLUE	GREEN
568-2213-333F	YELLOW	YELLOW	YELLOW	YELLOW

REV	ECN NO	REVISIONS	DRN	CKD	APP	DATE
A		NEW RELEASE	TC	MES	NO	12-14-05
B		ADDED P/N 568-2212-113F	TC	N.O.	MES	6-27-07
C		UPDATED BLUE LED SPECS	KLJ	NO	NO	2-7-08

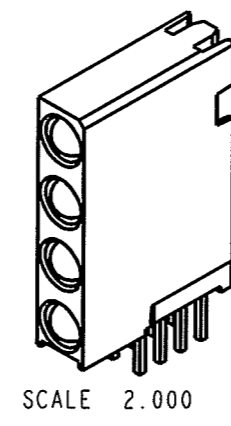
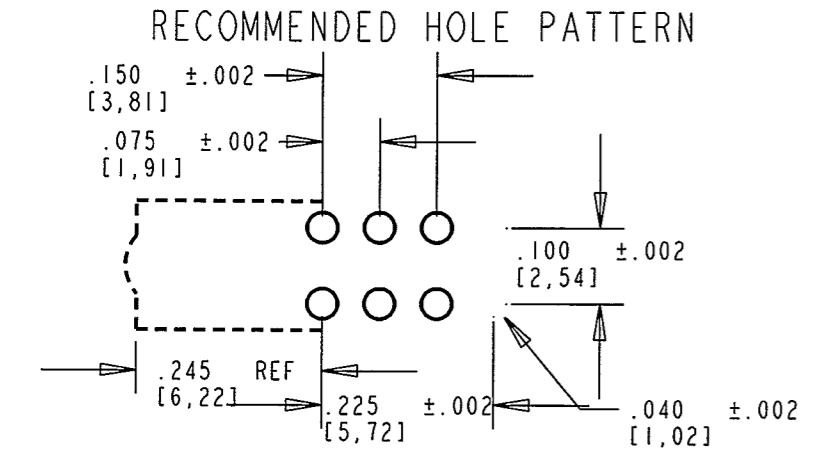
OPERATING CHARACTERISTICS AT 25°C AMBIENT						
CHARACTERISTICS	LED COLOR	MIN	TYP	MAX	UNITS	TEST CONDITIONS
LUMINOUS INTENSITY	RED	8.7	29		mcd	If = 10 mA
	GREEN	32	50			
	YELLOW	10		50		
	BLUE	110		310		
FORWARD VOLTAGE	RED		2.0	2.8	V	If = 20 mA
	GREEN		2.1	2.8		
	YELLOW		2.1	2.8		
	BLUE		3.5	4.0		
REVERSE CURRENT	RED		100		µA	Vr = 5 V
	GREEN		100			
	YELLOW		100			
PEAK WAVELENGTH	RED		635		nm	
	GREEN		565			
	YELLOW		585			
	BLUE		470			
VIEWING ANGLE	RED		45		Degree	
	GREEN		45			
	YELLOW		45			
	BLUE		45			



- NOTES:
- LEADS TO FIT INTO HOLES SPACED AS PER HOLE PATTERN
  - LEADS TO BE FREE OF DEFORMATION AFTER BENDING AND CUTTING
  - WHEN A ZERO APPEARS IN THE LAST 4 DIGITS OF THE PART NUMBER THIS MEANS NO LAMP REQUIRED IN THAT POSITION
  - LED LEAD DIMENSIONS SHOWN ARE MEASURED AT HOUSING EXIT
  - PACKAGING = BLOCKS PLACED IN AN ANTISTATIC BAG
  - DIALIGHT PART NUMBER = 568-221X-XXXF
  - "\*" ATTENTION: OBSERVE PRECAUTIONS FOR HANDLING ELECTROSTATIC SENSITIVE DEVICES. FOR EYE SAFETY DO NOT STARE DIRECTLY INTO THE LIGHT BEAM OF THESE LED DEVICES AT CLOSE RANGE.



**ATTENTION:**  
OBSERVE PRECAUTIONS FOR  
HANDLING ELECTROSTATIC  
SENSITIVE DEVICES



ABSOLUTE MAXIMUM RATING AT 25°C AMBIENT					
	UNITS	RED	GREEN	YELLOW	BLUE
POWER DISSIPATION	mW	100	100	60	140
DERATE LINEARLY FROM 50°C / 25°C FOR BLUE	mA/°C	0.4	0.4	0.25	0.32
CONTINUOUS FORWARD CURRENT	mA	30	30	20	30
PEAK FORWARD CURRENT (1/10 DUTY CYCLE, 0.1 ms PULSE WIDTH)	mA	120	120	80	100
LEAD SOLDERING TEMPERATURE 5 SEC., 1/16" FROM BODY	°C	260			
OPERATING TEMPERATURE	°C	-55 TO +100		-35 TO +85	
STORAGE TEMPERATURE	°C	-55 TO +100			

**RoHS Compliant 568-221X-XXXF Thru hole Quad CBI**

Part Numbers with the "F" suffix ending are RoHS Compliant.  
Example: 568-2211-132F  
Packaging is marked with "RoHS Compliant" label or equivalent markings.  
Parts can be wave soldered, dip soldered or hand soldered using typical lead-free soldering process with max 260°C temp. for 5 sec.

THIS DRAWING AND THE CONTENTS HEREIN ARE CONFIDENTIAL AND THE SOLE PROPERTY OF DIALIGHT. REPRODUCTION OF THIS DRAWING OR CONSTRUCTION OF ANY PARTS WITHIN THIS DRAWING ARE FORBIDDEN WITHOUT THE WRITTEN CONSENT OF DIALIGHT.

SCALE: 4.000	DRAWING NUMBER	REV
ALL DIM'S IN: INCHES (MM)	C-17336	C
TOLERANCES: UNLESS OTHERWISE SPECIFIED	TITLE EXTENDED 4x1 SINGLE CBI BLOCK, RoHS COMPLIANT	
FRACTIONS: ±1/64	MATERIAL	
DECIMALS (.XX): ±.01	Dialight 1501 ROUTE 34 SOUTH FARMINGDALE, NJ 07727	
DECIMALS (.XXX): ±.005	FSCM 83330	
DECIMALS (.XXXX): ±.0005	SHEET 1 OF 1 FAMILY TABLE:	
ANGLES: ±1°		