

**ST**
**ADAPTOR WITH LOCKNUT**

Phosphor bronze sleeve

Series

F709

Packaging

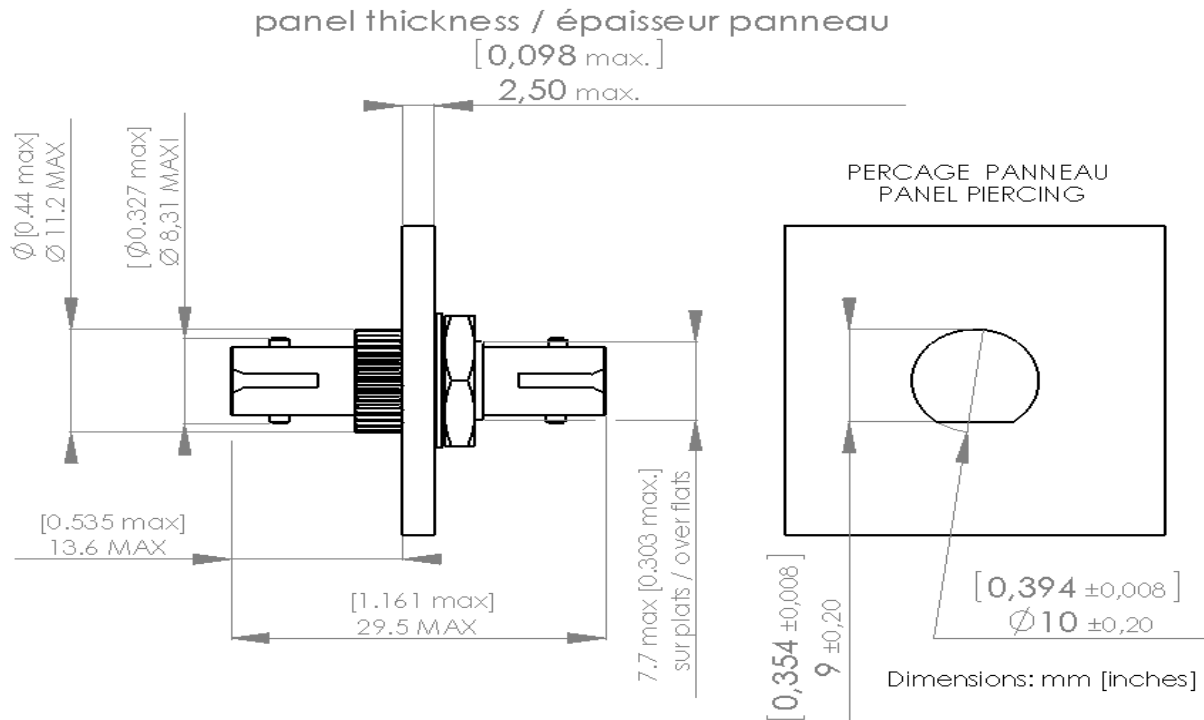
1

Issue

05 Jan 2011

Page

1/1


**GENERAL**

**Type** \* : IEC 60874-10 type BFOC/2, 5  
 Metal sleeve (Phosphor bronze)  
 Bayonet latching system

**CHARACTERISTICS** (Dependant on fiber or cable construction)

<b>Mechanical</b>	: Mechanical endurance	1000 matings
	Retention strength of the plug	100N
	Vibrations	10/500Hz – 10g
<b>Environmental</b>	: Temperature range (storage/operating)	-25/ +85 / 4

Note: (\*) To be used with ST1, ST2, best singlemode or multimode plugs

<b>CREATION</b>					<b>RADIALL</b> <sup>®</sup> 101, rue P. Hoffmann 93116 ROSNY/BOIS FRANCE Tel : (33) 0149353535 Fax : (33) 0148546363
N°:					
PEN: 940106735					
Name: RE PUGH					
Date: 14-03-96	05 Jan 11	Mise à jour performances optiques et mécaniques	SP	HD	
Appr.: S.D	Issue	Revisions	Name	Appr.	