

**PLEASE CHECK WWW.MOLEX.COM FOR LATEST PART INFORMATION**

**Part Number:** [130060012](#)  
**Status:** **Active**  
**Overview:** [minichange\\_products](#)  
**Description:** Mini-Change® MPIS, 3 Pole Female, 6 Ports with 8 Pole Male Connector

**Documents:**

[Drawing \(PDF\)](#) [RoHS Certificate of Compliance \(PDF\)](#)

**Agency Certification**

CSA LR6837

**General**

Product Family Passive Distribution Boxes  
 Series [130060](#)  
 IP Rating IP67  
 NEMA Rating NEMA 6  
 Overview [minichange\\_products](#)  
 Product Name Mini-Change®

**Physical**

Bus I/O Mini-Change®  
 Cable Connector Orientation Straight  
 Cable Length N/A  
 Home Run Cable Length N/A  
 Home Run Connector Mini-Change® - 8 pole  
 Home Run Interface N/A  
 Keyway Single  
 LED Indicator No  
 Material - Cable Jacket N/A  
 Material - Housing PBT  
 Material - Metal Copper Alloy  
 Material - Plating Mating Gold over Nickel  
 Orientation Side Mount  
 Poles 3  
 Poles (wired) 3  
 Ports 6  
 Temperature Range - Operating -25°C to +90°C  
 Wiring Configuration Single I/O per Port

**Electrical**

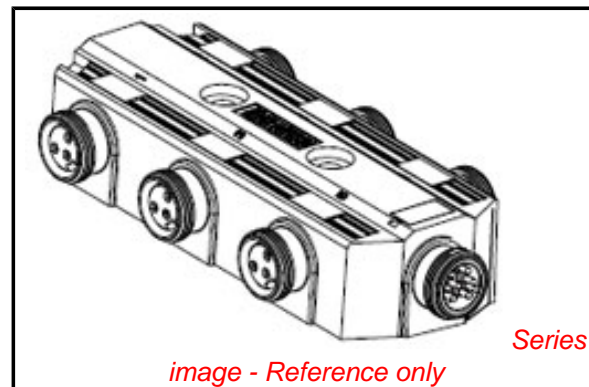
Current - Maximum per Contact 7A  
 Functional Wiring Parallel  
 Voltage - Maximum 600V AC/DC

**Material Info**

Old Part Number 409P601

**Reference - Drawing Numbers**

Sales Drawing SD-130060-002



*image - Reference only*

**EU RoHS**

**Not RoHS Compliant**  
**REACH SVHC**  
**Not Reviewed**  
**Halogen-Free**  
**Status**  
**Not Reviewed**

**China RoHS**



**Need more information on product environmental compliance?**

Email [productcompliance@molex.com](mailto:productcompliance@molex.com)  
 For a multiple part number RoHS Certificate of Compliance, [click here](#)

Please visit the [Contact Us](#) section for any non-product compliance questions.

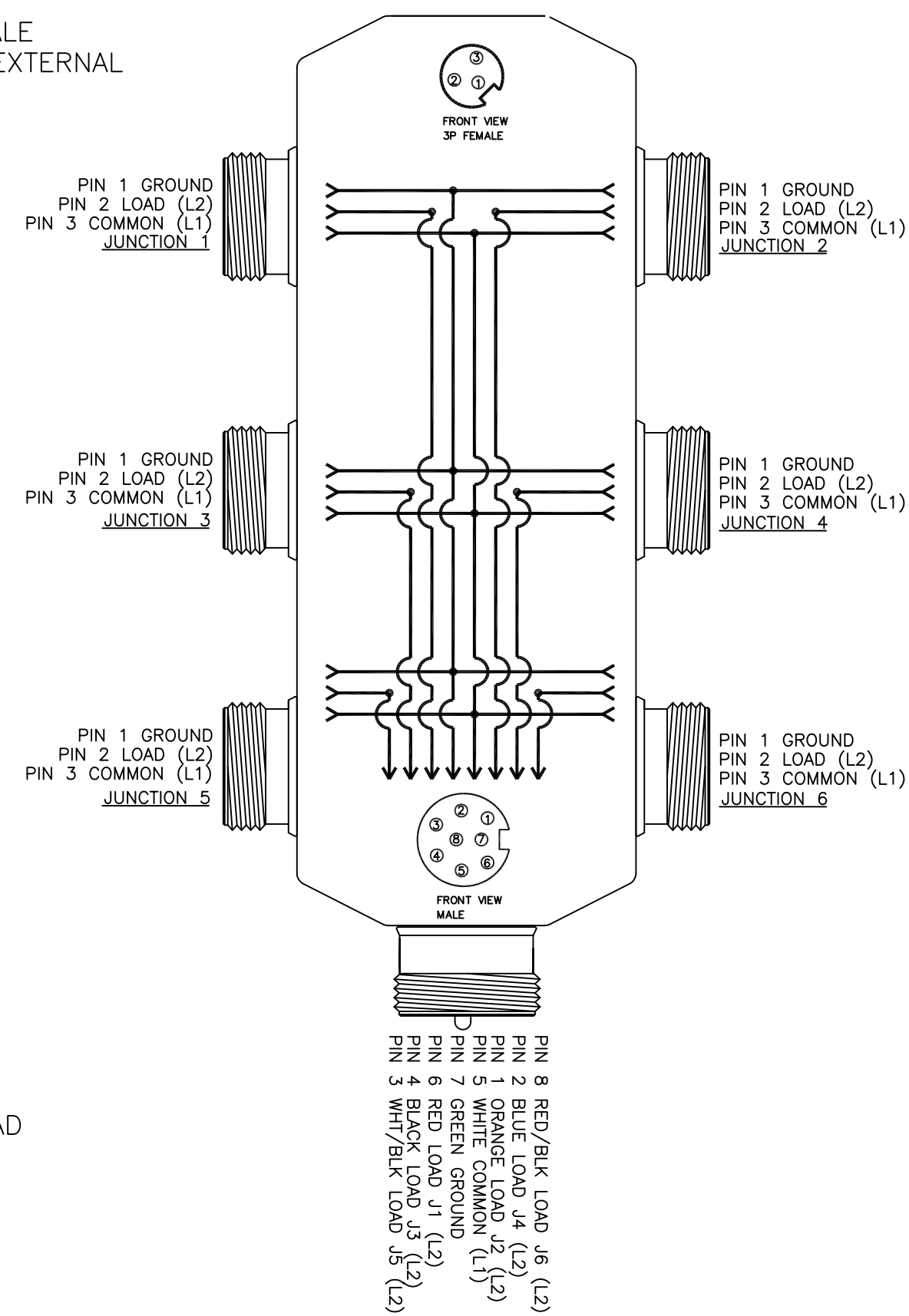
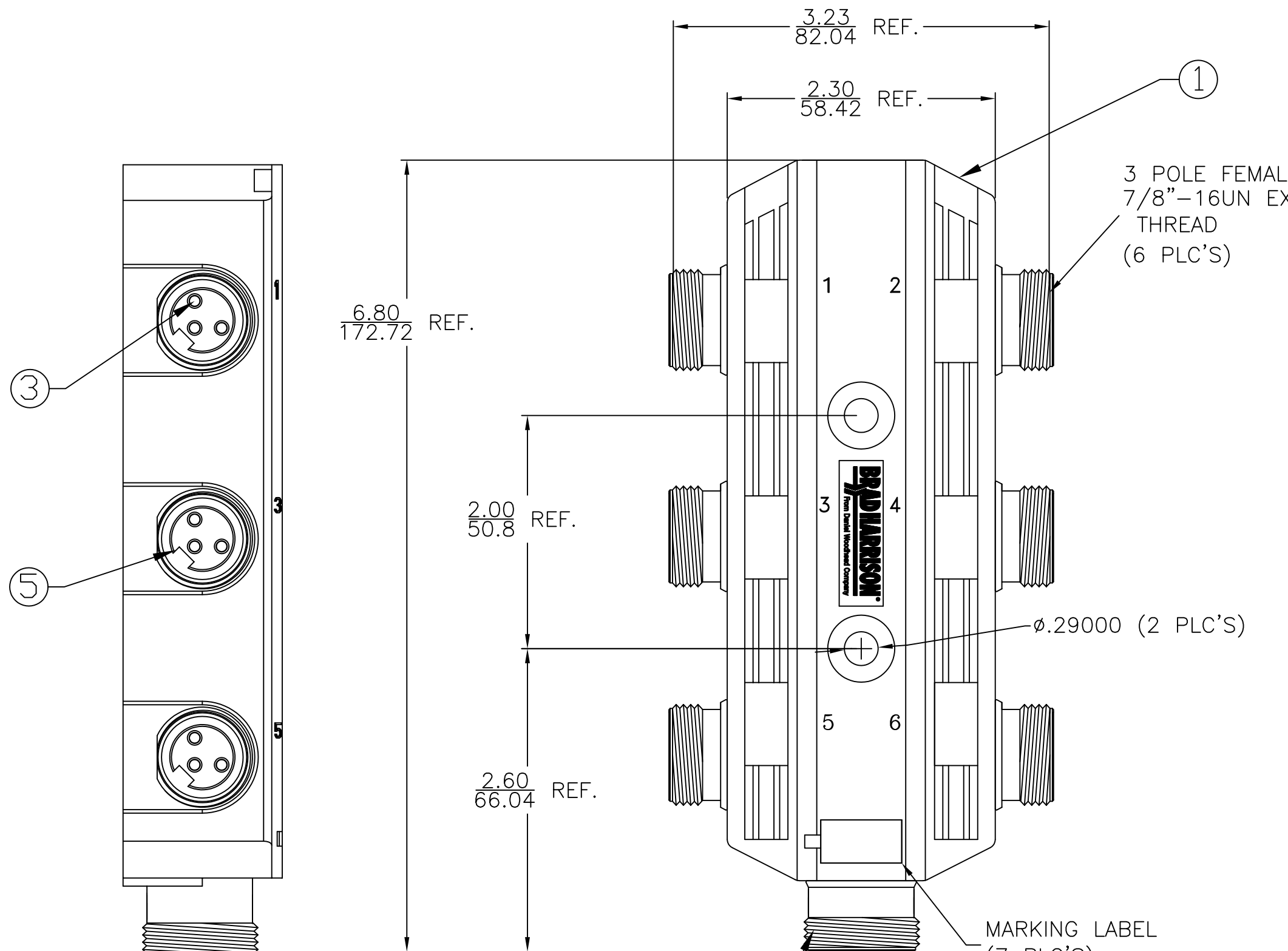
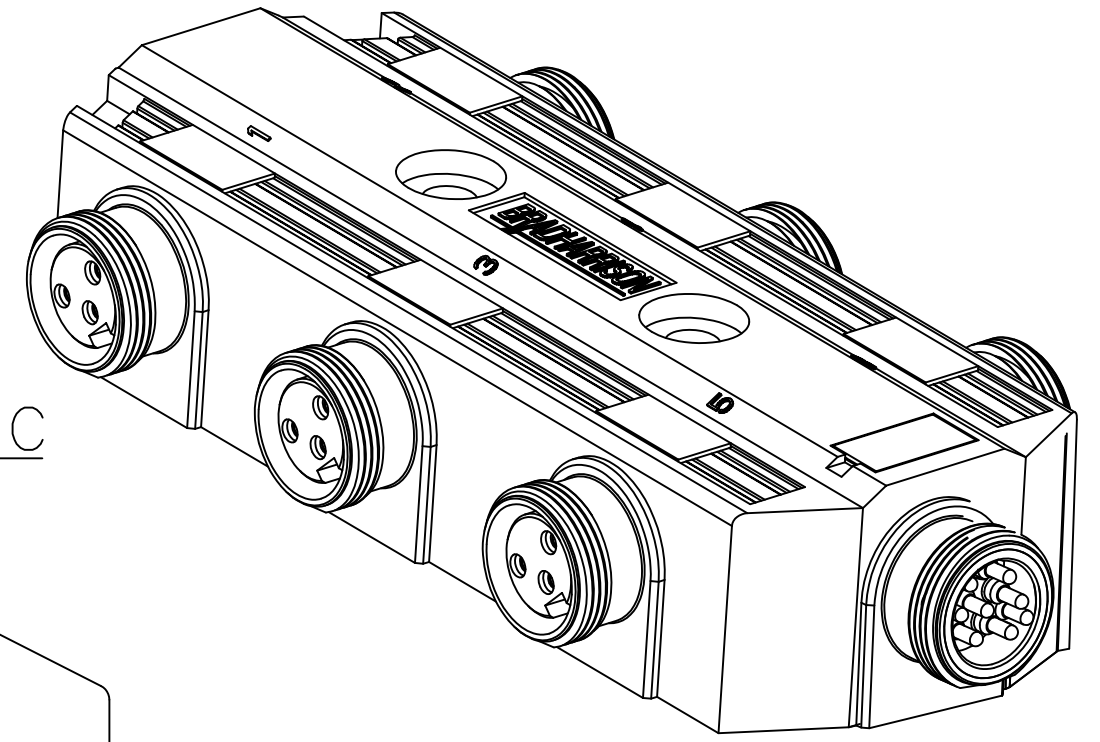
**Search Parts in this Series**

130060Series

13	12	11	10	9	8	7	6	5	4	3	2	1
<b>MATERIAL NUMBER</b>	<b>ENGINEERING NUMBER</b>											
1300600012	409P601											

DIMENSIONAL

SCHEMATIC



- NOTES:
- 1) MATERIAL: SEE TABLE
  - 2) FINISHES: SEE TABLE
  - 3) ELECTRICAL DATA:  
 VOLTAGE: 600V AC/DC  
 AMPERAGE: 7AMPS PER MPIS UNIT
  - 4) ENVIRONMENTAL:  
 PROTECTION IP67  
 OPERATING TEMPERATURE RANGE: -25C TO 90C
  - 5) LABEL IS MARKED WITH P/N, DATE CODE, AND SCHEMATIC
  - 6) CERTIFICATION:  
 UL: UL RECOGNIZED  
 CSA: CSA CERTIFIED

5	7	INSERT	PVC	YELLOW
4	8	PIN CONTACT	COPPER ALLOY	GOLD PLATED
3	18	SOCKET CONTACT	COPPER ALLOY	GOLD PLATED
2	7	RECEPTACLE SHELL	E-COATED ZINC ALLOY	BLACK
1	1	HOUSING	PBT	YELLOW
ITEM	QTY.	DESCRIPTION	MATERIAL	FINISH

RELEASE EC NO: WNA2010-0456 DRWN: TWOLDEGE 2010/01/19 CH'KD: BWOODMAN APPR: JFMURPHY 2010/01/29 A	QUALITY SYMBOL ▽=0 ◁=0	GENERAL TOLERANCES (UNLESS SPECIFIED) 4 PLACES ±--- 3 PLACES ±--- ±.005 2 PLACES ±0.13 ±.010 1 PLACE ±0.25 ±.020 ANGULAR ±1/2° DRAFT WHERE APPLICABLE MUST REMAIN WITHIN DIMENSIONS	DIMENSION STYLE --- DRAWN BY DATE CHECKED BY DATE BWOODMAN APPROVED BY DATE JFMURPHY 2010/01/29 MATERIAL NO. SEE CHART SIZE C	SCALE 1:1 DESIGN UNITS INCH THIRD ANGLE PROJECTION TITLE <b>6PORT SIDE MOUNT MPIS          6PORT 3-POLE FEMALE W/          8P MALE HOME RUN CONN.</b> MOLEX INCORPORATED DOCUMENT NO. <b>SD-130060-002</b> SHEET NO. <b>1 OF 1</b>
	THIS DRAWING CONTAINS INFORMATION THAT IS PROPRIETARY TO MOLEX INCORPORATED AND SHOULD NOT BE USED WITHOUT WRITTEN PERMISSION			