

THIS DRAWING IS UNPUBLISHED. RELEASED FOR PUBLICATION  
 © COPYRIGHT BY TYCO ELECTRONICS CORPORATION. ALL RIGHTS RESERVED.

LOC		DIST		REVISIONS			
P	LTR	DESCRIPTION	DATE	DWN	APVD		
0		REVISED PER 0G3B-0992-03	05-MAR-04	SH	SR		

D

C

B

A

D

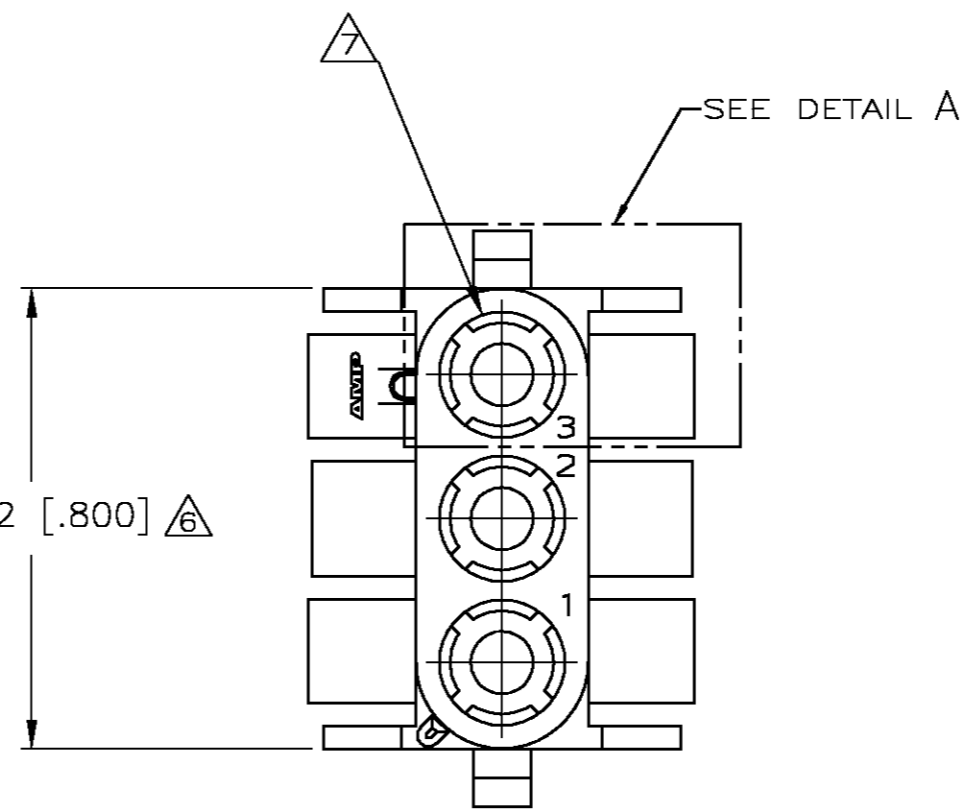
C

B

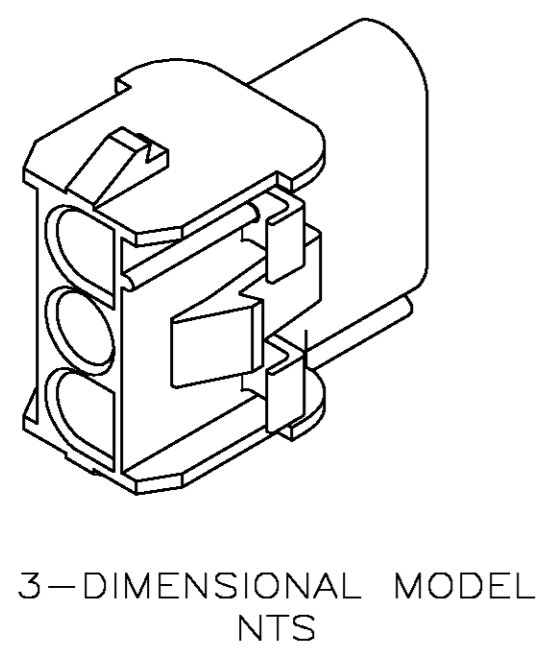
A



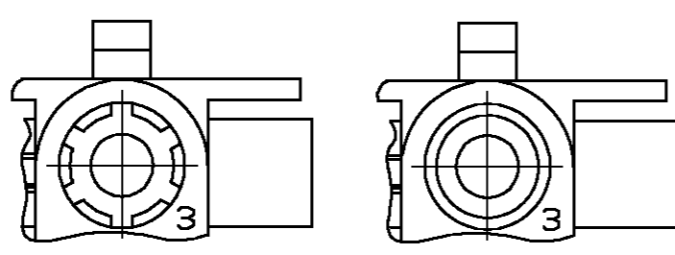
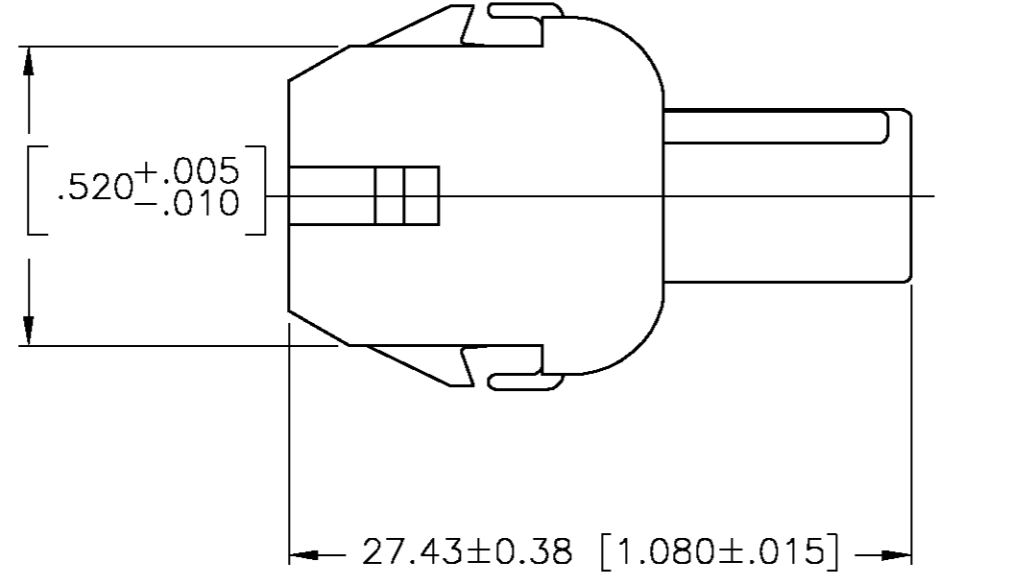
20.32 [.800] <sup>6</sup>



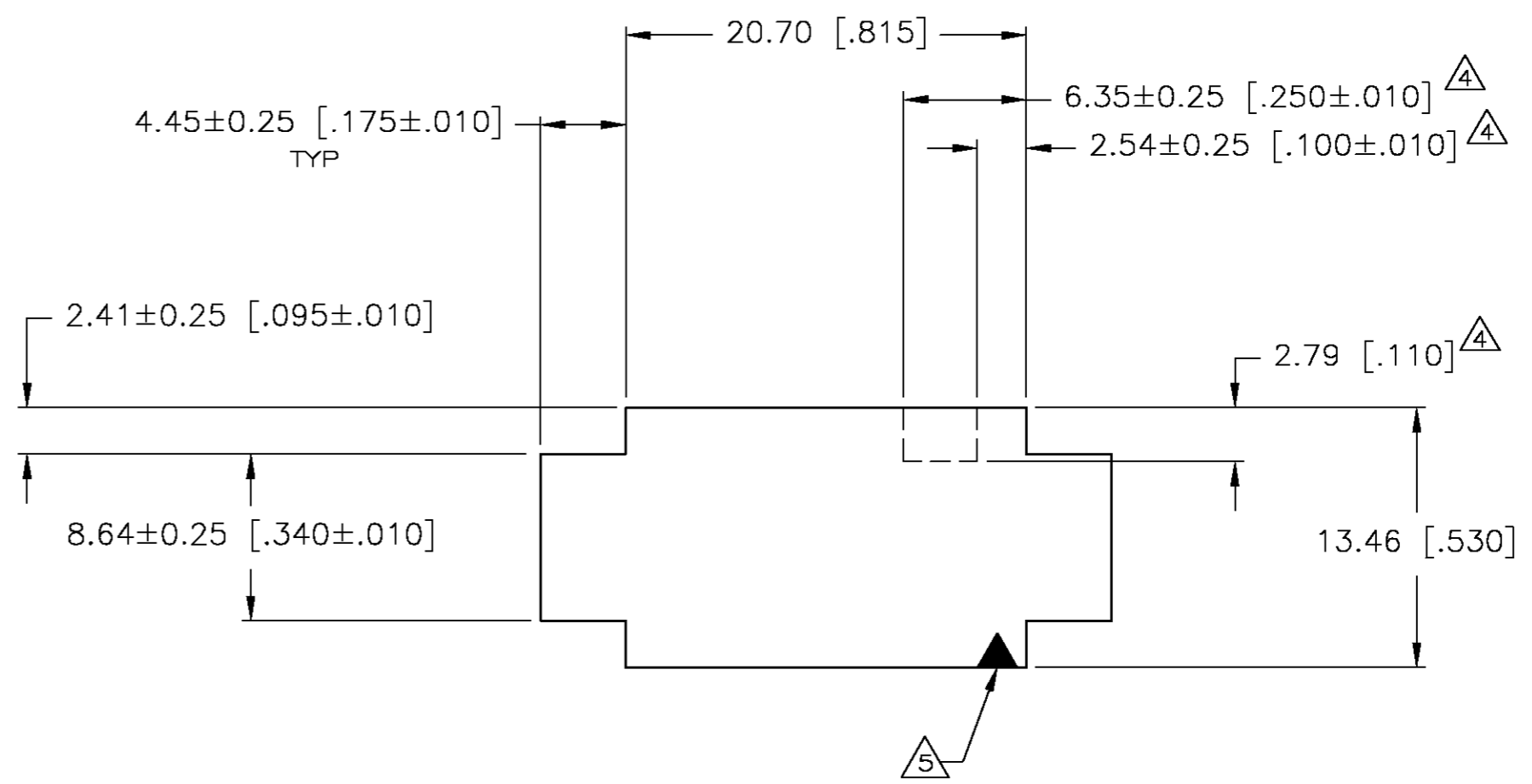
- MATES WITH APPROPRIATE UNIVERSAL MATE-N-LOK™ PLUG.
  - RECOMMENDED PANEL THICKNESS 0.76 [.030]-2.29 [.090].
  - PANEL MUST BE PUNCHED SO THAT THE HOUSING ENTERS THE PANEL IN THE SAME DIRECTION AS THE PUNCH.
- <sup>4</sup> OPTIONAL FOR KEYING HOUSING IN PANEL.
  - <sup>5</sup> CIRCUIT NUMBER 1 LOCATION.
  - <sup>6</sup> DIMENSION INDICATED IS AS MOLDED. ADDITIONAL GROWTH DUE TO SUBSEQUENT MOISTURE ABSORPTION MAY OCCUR.
  - <sup>7</sup> FOUR RIBS EQUALLY SPACED, NO SPECIFIC ORIENTATION. NO RIBS OR SIX RIBS EQUALLY SPACED, NO SPECIFIC ORIENTATION, OPTIONAL.
  - <sup>8</sup> UNDERWRITERS RECOGNIZED COMPONENT LOGO AND CSA CERTIFICATION LOGO TO BE LOCATED ONCE EACH ON SIDE OF HOUSING.



<sup>6</sup> 13.21<sup>+0.13</sup><sub>-0.25</sub>



DETAIL A  
OPTIONAL CONSTRUCTIONS



RECOMMENDED PANEL CUT OUT

1586378

BLACK	1586378-1
COLOR	PART NUMBER

THIS DRAWING IS A CONTROLLED DOCUMENT.		DWN S. HOOVER 05-MAR-2004	 Tyco Electronics Corporation Harrisburg, Pa 17105-3608										
DIMENSIONS: mm [INCHES]		CHK S. RIDGILL 05-MAR-2004											
TOLERANCES UNLESS OTHERWISE SPECIFIED:		APVD S. RIDGILL 05-MAR-2004	NAME CAP, 3 CIRCUIT, UV RESISTANT UNIVERSAL MATE-N-LOK™										
<table border="0"> <tr><td>0 PLC</td><td>±</td></tr> <tr><td>1 PLC</td><td>±</td></tr> <tr><td>2 PLC</td><td>± 0.13 [.005]</td></tr> <tr><td>3 PLC</td><td>±</td></tr> <tr><td>4 PLC</td><td>±</td></tr> </table>		0 PLC	±	1 PLC	±	2 PLC	± 0.13 [.005]	3 PLC	±	4 PLC	±	PRODUCT SPEC	SIZE A2
0 PLC	±												
1 PLC	±												
2 PLC	± 0.13 [.005]												
3 PLC	±												
4 PLC	±												
MATERIAL NYLON, UL 94V-2		FINISH	CAGE CODE 00779										
METRIC		APPLICATION SPEC	DRAWING NO C=1586378										
		WEIGHT	RESTRICTED TO -										
		CUSTOMER DRAWING	SCALE 4:1										
			SHEET 1 OF 1										
			REV 0										