

THIS DRAWING IS UNPUBLISHED. RELEASED FOR PUBLICATION
 © COPYRIGHT BY TYCO ELECTRONICS CORPORATION. ALL RIGHTS RESERVED.

LOC		DIST		REVISIONS			
P	LTR	DESCRIPTION	DATE	DWN	APVD		
0		REVISED PER 0G3B-0992-03	05-MAR-04	SH	SR		

D

C

B

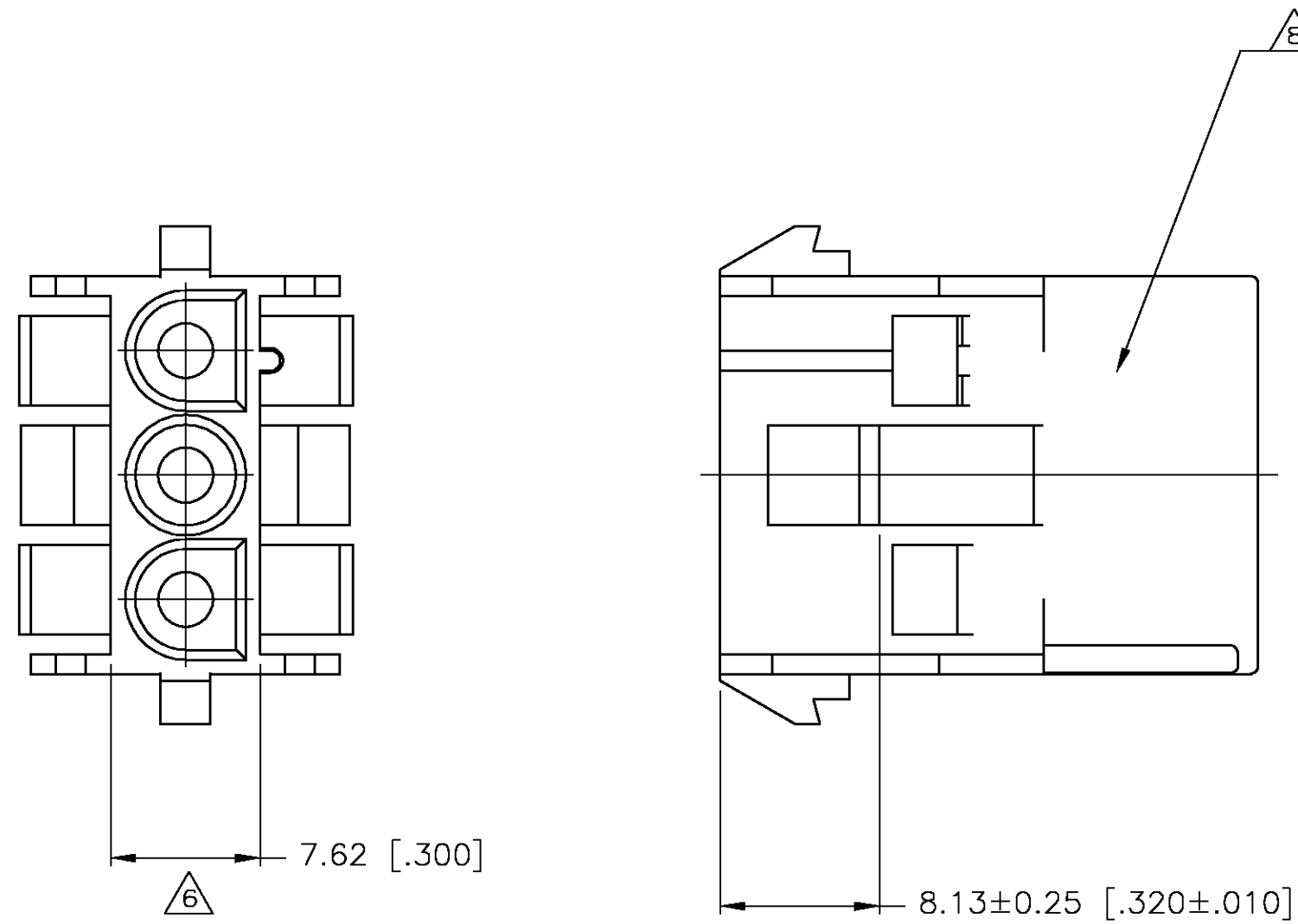
A

D

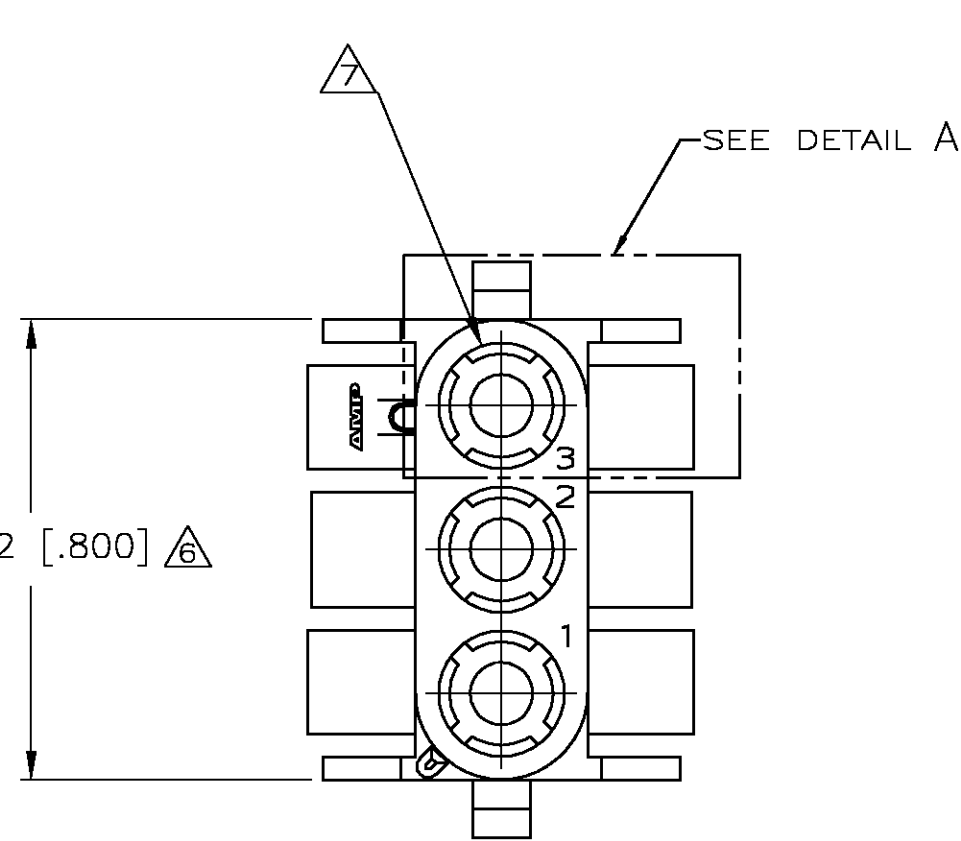
C

B

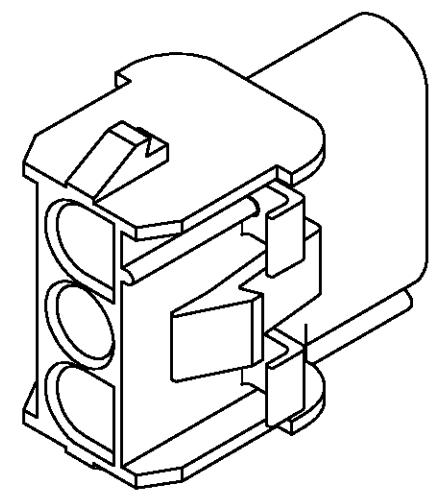
A



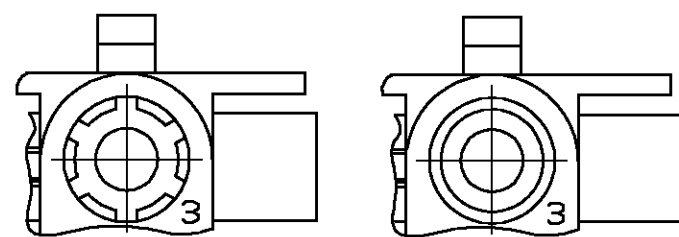
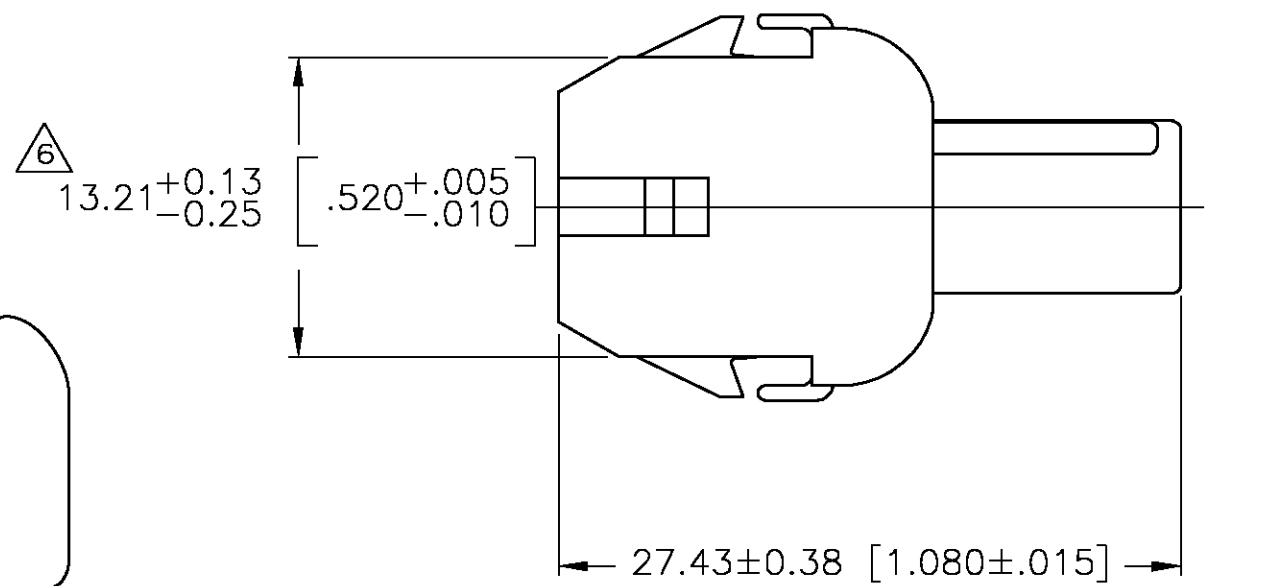
20.32 [.800] 6



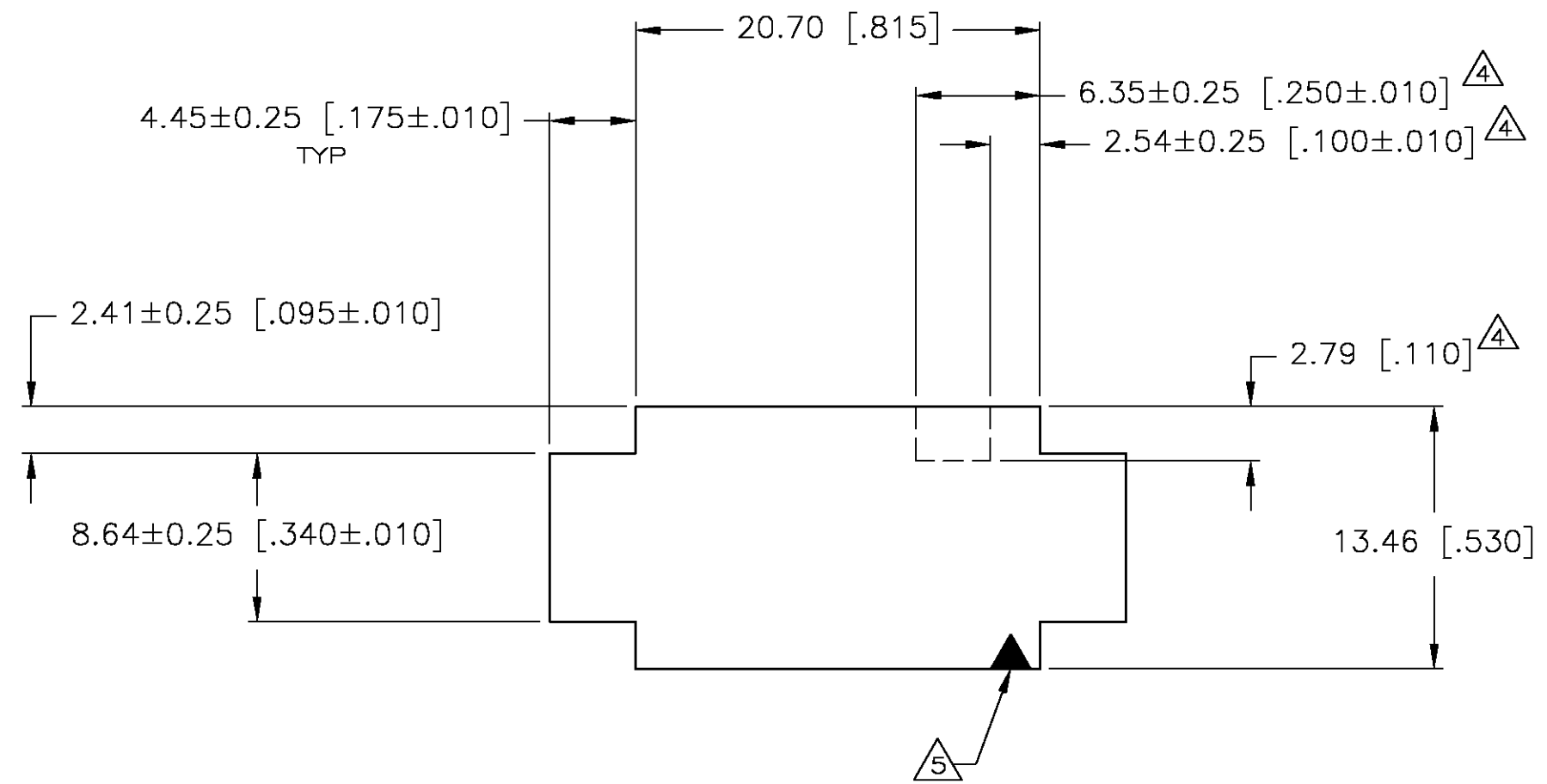
- MATES WITH APPROPRIATE UNIVERSAL MATE-N-LOK™ PLUG.
 - RECOMMENDED PANEL THICKNESS 0.76 [.030]-2.29 [.090].
 - PANEL MUST BE PUNCHED SO THAT THE HOUSING ENTERS THE PANEL IN THE SAME DIRECTION AS THE PUNCH.
- 4 OPTIONAL FOR KEYING HOUSING IN PANEL.
 - 5 CIRCUIT NUMBER 1 LOCATION.
 - 6 DIMENSION INDICATED IS AS MOLDED. ADDITIONAL GROWTH DUE TO SUBSEQUENT MOISTURE ABSORPTION MAY OCCUR.
 - 7 FOUR RIBS EQUALLY SPACED, NO SPECIFIC ORIENTATION. NO RIBS OR SIX RIBS EQUALLY SPACED, NO SPECIFIC ORIENTATION, OPTIONAL.
 - 8 UNDERWRITERS RECOGNIZED COMPONENT LOGO AND CSA CERTIFICATION LOGO TO BE LOCATED ONCE EACH ON SIDE OF HOUSING.



3-DIMENSIONAL MODEL NTS



DETAIL A
OPTIONAL CONSTRUCTIONS



RECOMMENDED PANEL CUT OUT

1586378

BLACK	1586378-1
COLOR	PART NUMBER

THIS DRAWING IS A CONTROLLED DOCUMENT.		DWN S. HOOVER 05-MAR-2004	 Tyco Electronics Corporation Harrisburg, Pa 17105-3608														
DIMENSIONS: mm [INCHES]		CHK S. RIDGILL 05-MAR-2004															
TOLERANCES UNLESS OTHERWISE SPECIFIED:		APVD S. RIDGILL 05-MAR-2004	NAME CAP, 3 CIRCUIT, UV RESISTANT UNIVERSAL MATE-N-LOK™														
<table border="0"> <tr><td>0 PLC</td><td>±</td></tr> <tr><td>1 PLC</td><td>±</td></tr> <tr><td>2 PLC</td><td>± 0.13 [.005]</td></tr> <tr><td>3 PLC</td><td>±</td></tr> <tr><td>4 PLC</td><td>±</td></tr> <tr><td>ANGLES</td><td>±</td></tr> <tr><td>FINISH</td><td>±</td></tr> </table>		0 PLC	±	1 PLC	±	2 PLC	± 0.13 [.005]	3 PLC	±	4 PLC	±	ANGLES	±	FINISH	±	PRODUCT SPEC	SIZE A2
0 PLC	±																
1 PLC	±																
2 PLC	± 0.13 [.005]																
3 PLC	±																
4 PLC	±																
ANGLES	±																
FINISH	±																
MATERIAL NYLON, UL 94V-2		APPLICATION SPEC	CAGE CODE 00779														
METRIC		WEIGHT	DRAWING NO C=1586378														
		CUSTOMER DRAWING	RESTRICTED TO -														
		SCALE 4:1	SHEET 1 OF 1														
			REV 0														