

THIS DRAWING IS UNPUBLISHED. RELEASED FOR PUBLICATION  
 © COPYRIGHT BY TYCO ELECTRONICS CORPORATION. ALL RIGHTS RESERVED.

LOC		DIST		REVISIONS			
P	LTR	DESCRIPTION	DATE	DWN	APVD		
0		REVISED PER 0G3B-0992-03	05-MAR-04	SH	SR		

D

C

B

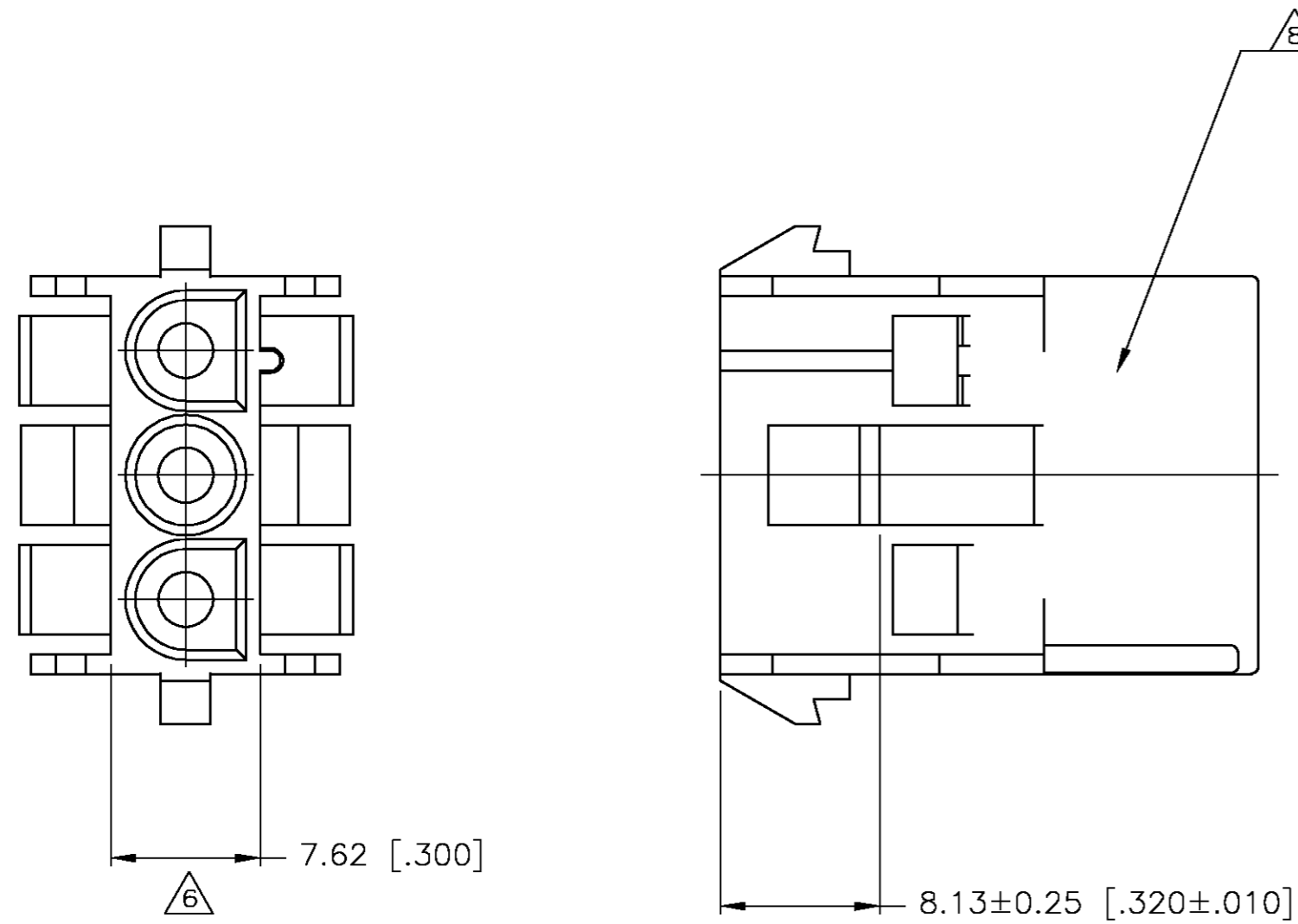
A

D

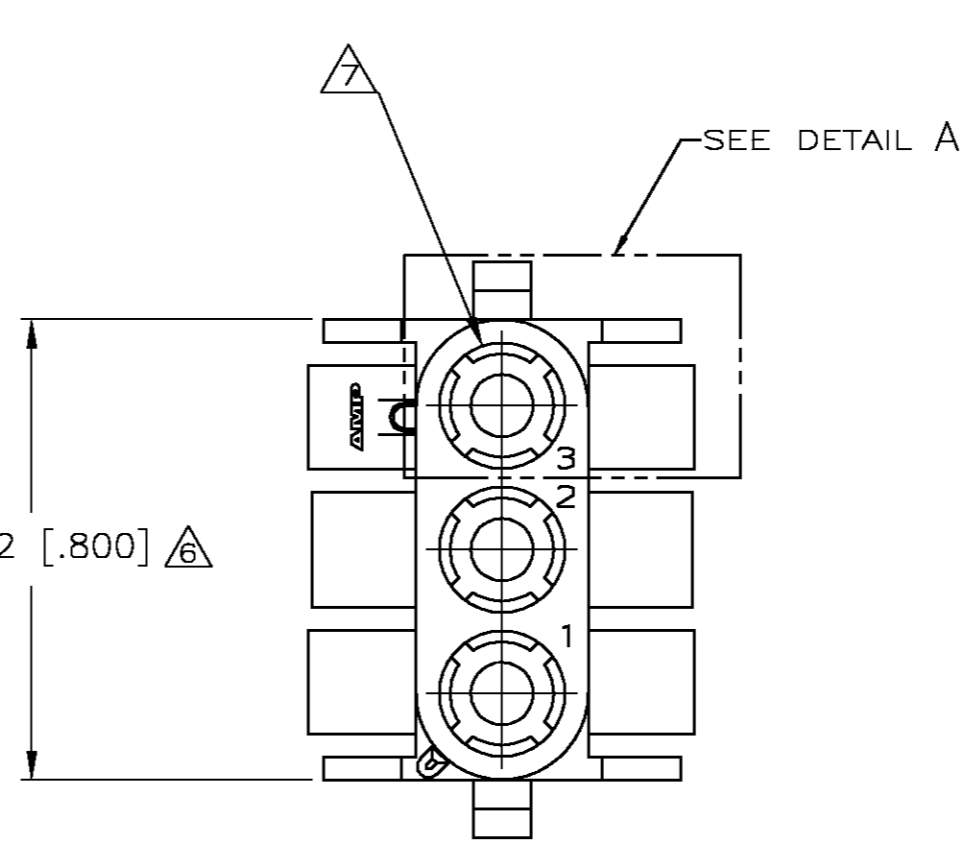
C

B

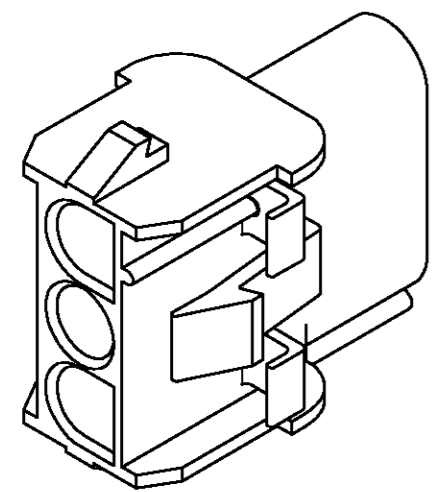
A



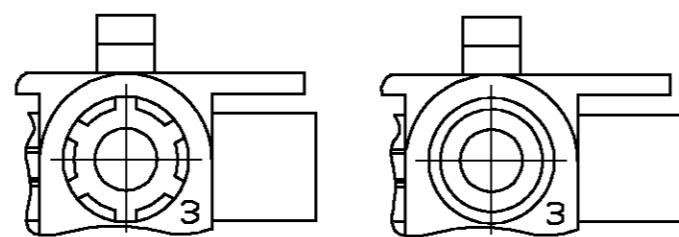
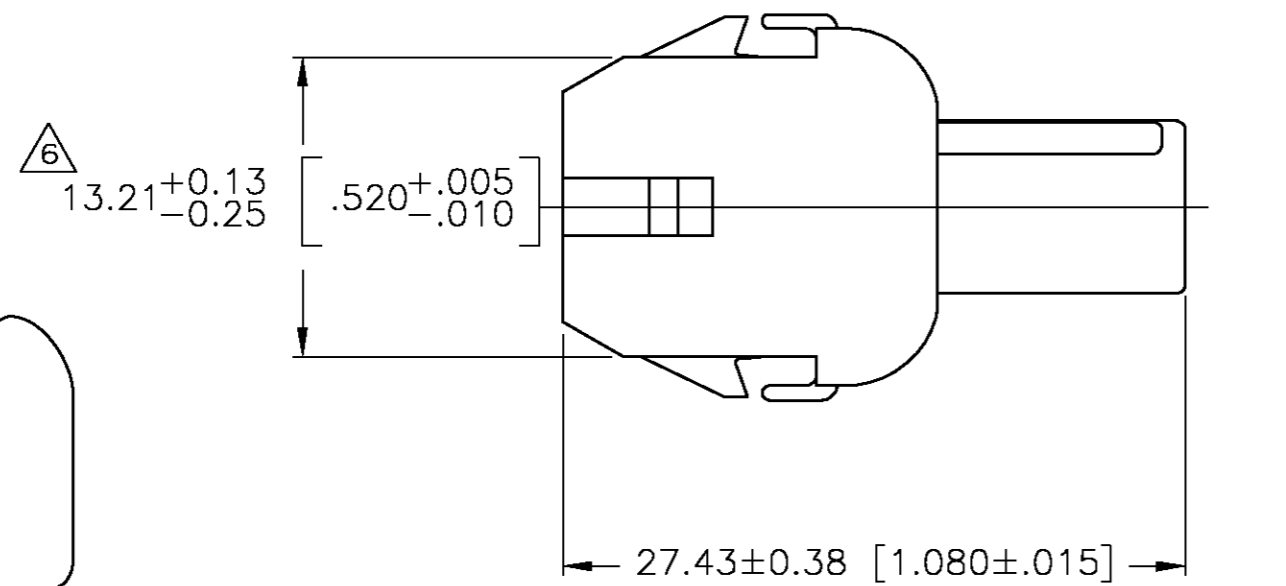
20.32 [.800] <sup>6</sup>



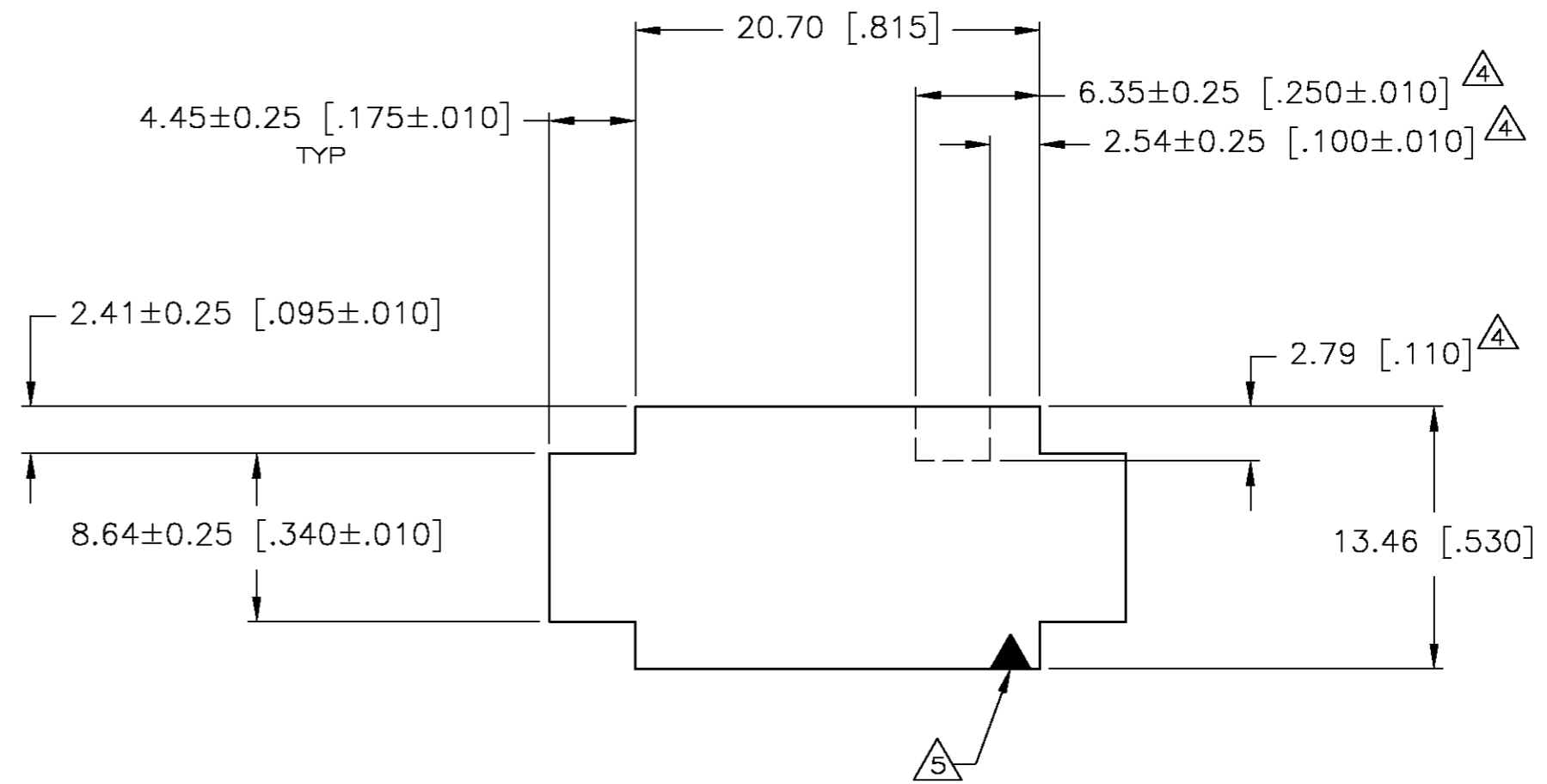
- MATES WITH APPROPRIATE UNIVERSAL MATE-N-LOK™ PLUG.
  - RECOMMENDED PANEL THICKNESS 0.76 [.030]-2.29 [.090].
  - PANEL MUST BE PUNCHED SO THAT THE HOUSING ENTERS THE PANEL IN THE SAME DIRECTION AS THE PUNCH.
- <sup>4</sup> OPTIONAL FOR KEYING HOUSING IN PANEL.
  - <sup>5</sup> CIRCUIT NUMBER 1 LOCATION.
  - <sup>6</sup> DIMENSION INDICATED IS AS MOLDED. ADDITIONAL GROWTH DUE TO SUBSEQUENT MOISTURE ABSORPTION MAY OCCUR.
  - <sup>7</sup> FOUR RIBS EQUALLY SPACED, NO SPECIFIC ORIENTATION. NO RIBS OR SIX RIBS EQUALLY SPACED, NO SPECIFIC ORIENTATION, OPTIONAL.
  - <sup>8</sup> UNDERWRITERS RECOGNIZED COMPONENT LOGO AND CSA CERTIFICATION LOGO TO BE LOCATED ONCE EACH ON SIDE OF HOUSING.



3-DIMENSIONAL MODEL NTS



DETAIL A  
OPTIONAL CONSTRUCTIONS



RECOMMENDED PANEL CUT OUT

**METRIC**

BLACK	1586378-1
COLOR	PART NUMBER

THIS DRAWING IS A CONTROLLED DOCUMENT.		DWN S. HOOVER 05-MAR-2004	Tyco Electronics Corporation Harrisburg, Pa 17105-3608	
DIMENSIONS: mm [INCHES]		CHK S. RIDGILL 05-MAR-2004		
TOLERANCES UNLESS OTHERWISE SPECIFIED:		APVD S. RIDGILL 05-MAR-2004	NAME CAP, 3 CIRCUIT, UV RESISTANT UNIVERSAL MATE-N-LOK™	
0 PLC ±		PRODUCT SPEC	SIZE A2	
1 PLC ±		APPLICATION SPEC	CAGE CODE 00779	DRAWING NO C=1586378
2 PLC ± 0.13 [.005]		WEIGHT	RESTRICTED TO -	
3 PLC ±		CUSTOMER DRAWING	SCALE 4:1	SHEET 1 OF 1
4 PLC ±			REV 0	
ANGLES ±				
FINISH				
MATERIAL NYLON, UL 94V-2				

1586378