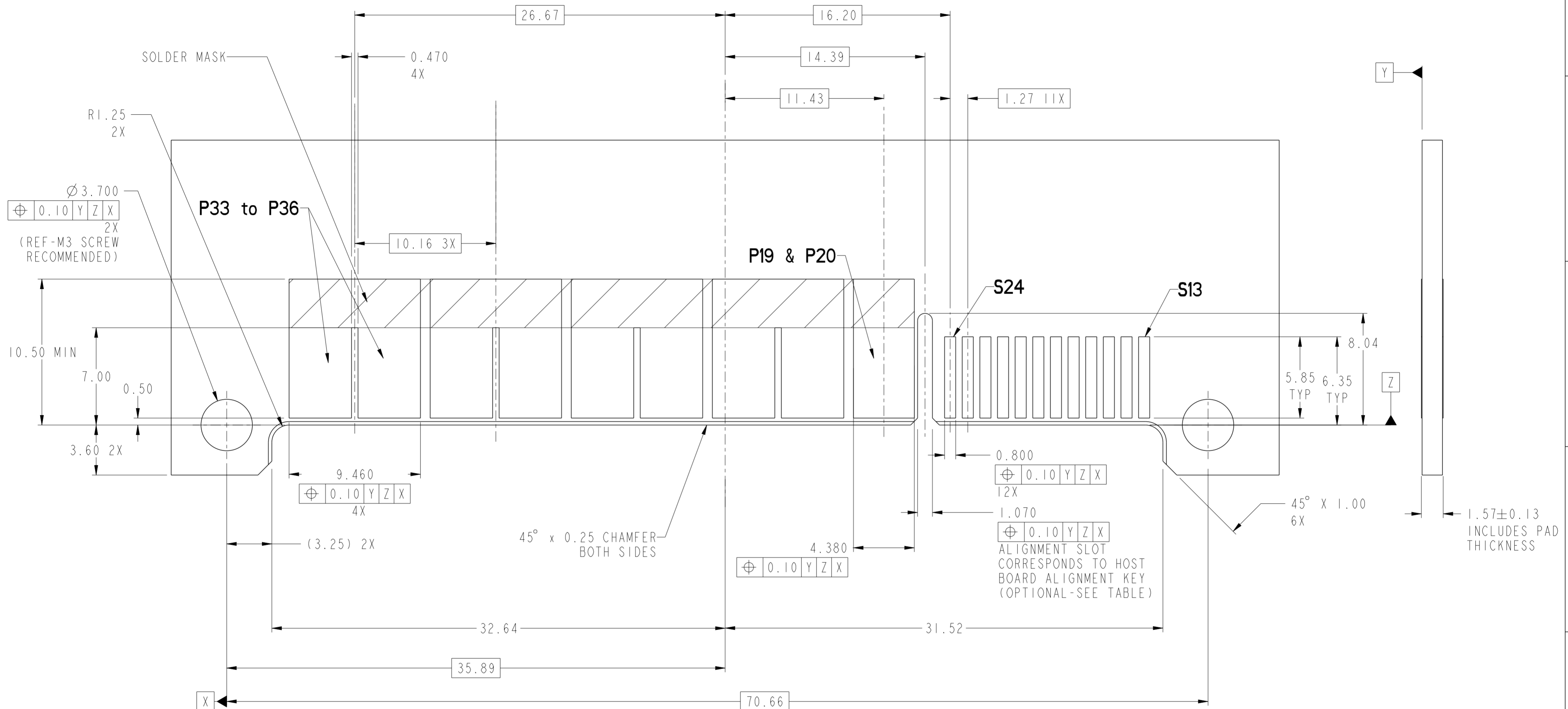


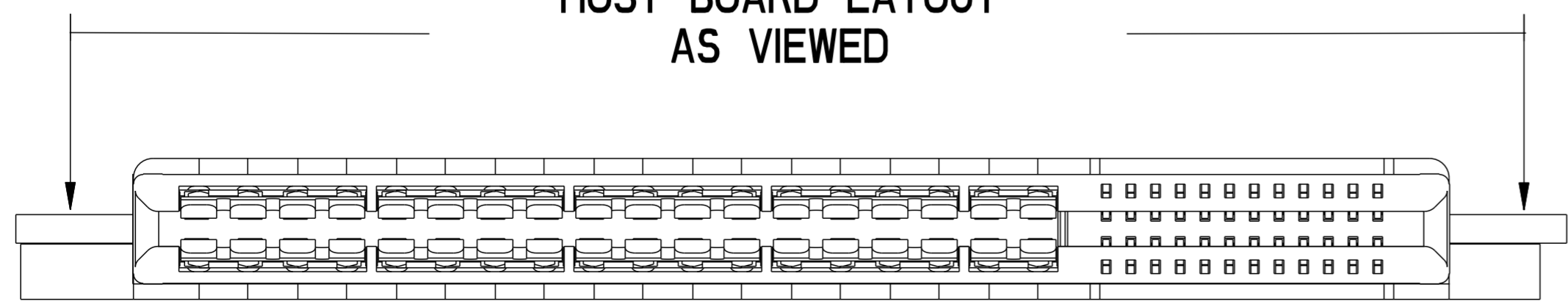
spec ref	-	dr	Tim Houtz	2009/10/21	projection	MM	size	A2	scale	4:1
tolerance std	ASME Y14.5	eng	Wei-Long Zhang	2012/09/05			ecn no	ELX-DG-012741-1		
TOLERANCES UNLESS OTHERWISE SPECIFIED		chr	-	rel level			Released			
surface	ASME Y14.5	appr	Pai-Ming Zheng	2012/09/11	product family	CARD EDGE	rel level	Blue		
linear	0.X ±0.30 0.XX ±0.10 0.XXX ±0.05			title	HPCE-STRADDLE MT (36P-24S) (RECEPTACLE) SPECIAL CASE			dwg no	10107844	
angular	0° ±2°	www.fci.com	cat. no.	-	Product - Customer Drw	sheet 1 of 6	rev	G		

Copyright FCI.
FCI

NEW RECOMENDED HOST BOARD LAYOUT FOR IMPROVED SOLDER REFLOW PROCESS



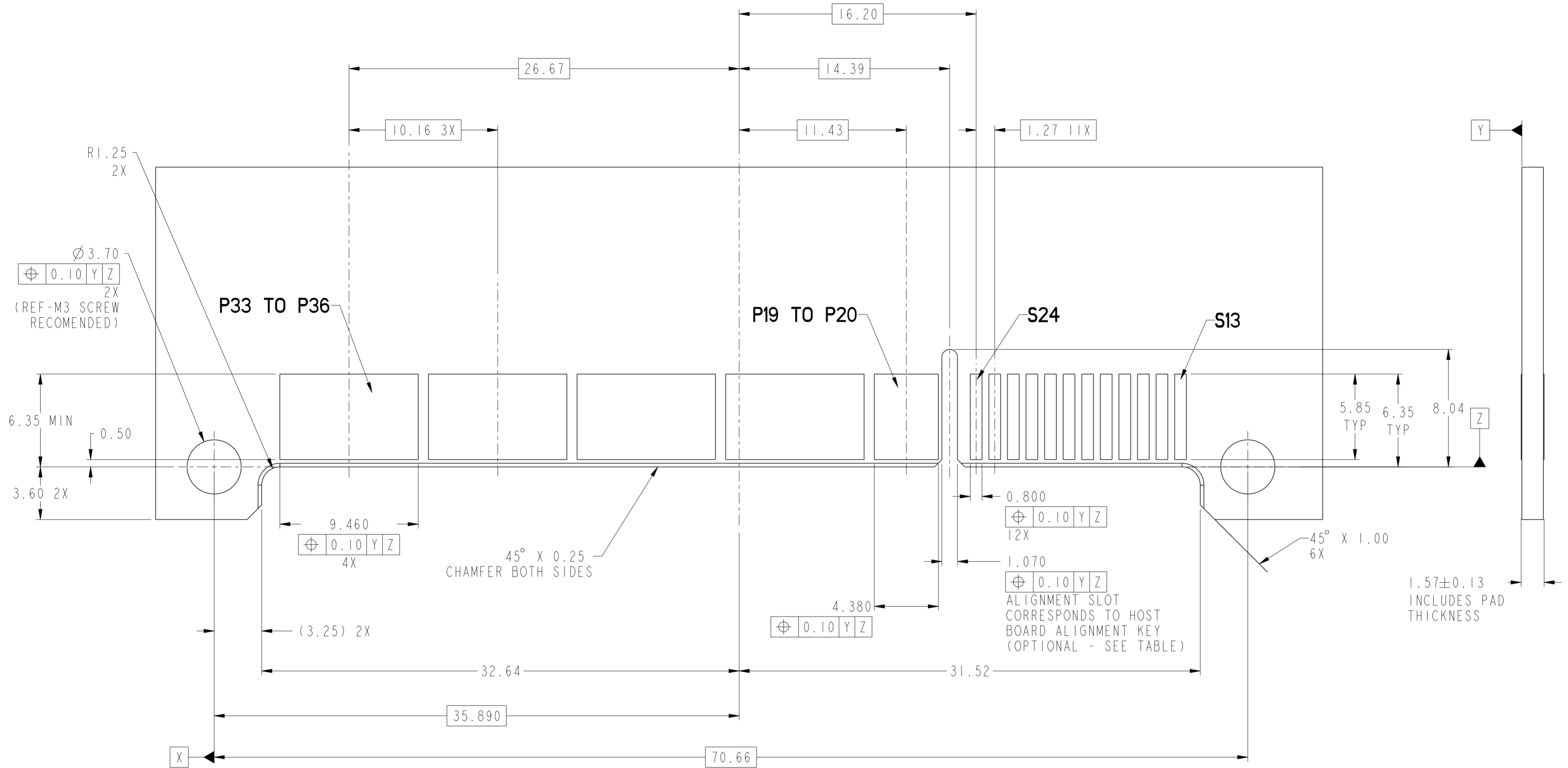
HOST BOARD LAYOUT AS VIEWED



SCALE 7:2

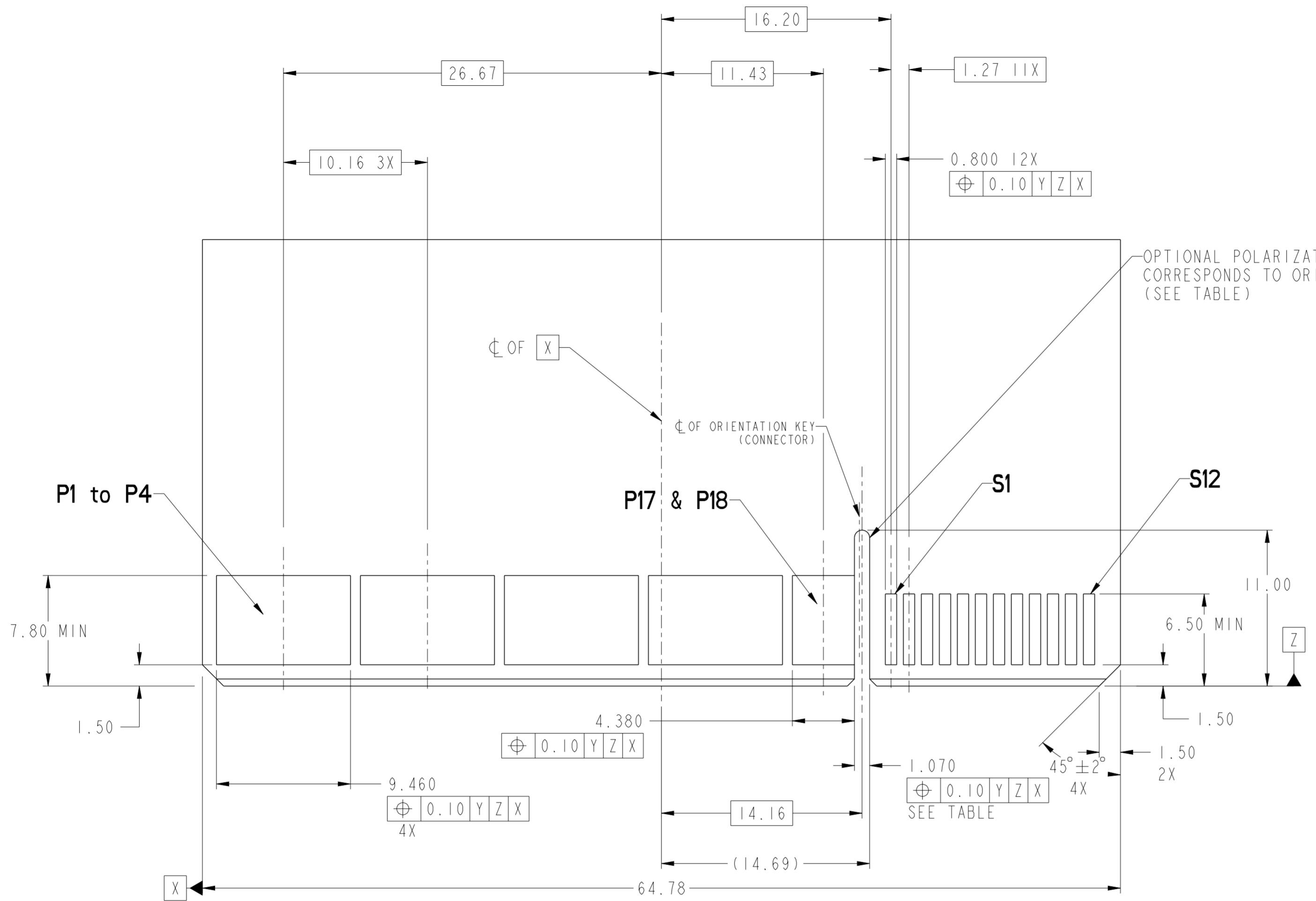
dr	Tim Houtz	2009/10/21	projection	MM	size	A2	scale	4:1
eng	Wei-Long Zhang	2012/09/05			ecn no	ELX-DG-012741-1	rel level	Released
chr	-	-						
appr	Pai-Ming Zheng	2012/09/11	product family	CARD EDGE	rel level	Released		
		title HPCE-STRADDLE MT (36P-24S) (RECEPTACLE) SPECIAL CASE		dwg no 10107844	rev G			
www.fci.com		cat. no.	-		Product - Customer Drw		sheet 2 of 6	

OLD RECOMENDED HOST BOARD LAYOUT

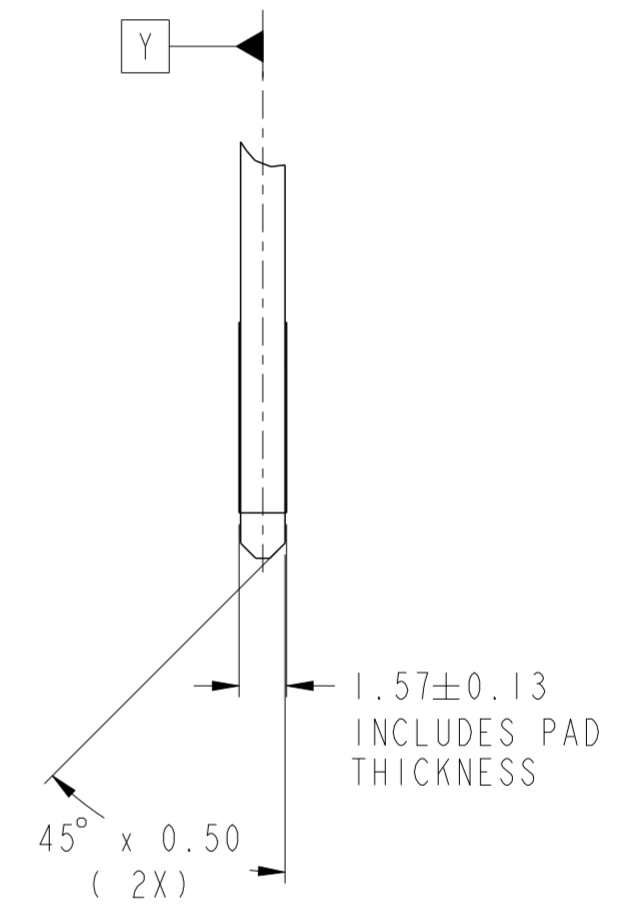


Copyright FCI.

dr	Tim Houtz	2009/10/21	projection	MM	size	A2	scale	4:1	
eng	Wei-Long Zhang	2012/09/05		MM	ecn no	ELX-DG-012741-1	rel level	Released	
chr	-	-							
appr	Pai-Ming Zheng	2012/09/11	product family	CARD EDGE					
			title	HPCE-STRADDLE MT (36P-24S)		dwg no	10107844		
www.fci.com			cat. no.	-		Product - Customer Drw	sheet 3 of 6	rev	G



OPTIONAL POLARIZATION SLOT
CORRESPONDS TO ORIENTATION KEY OPTION
(SEE TABLE)



RECOMMENDED MATING BOARD FOOTPRINT - OPTION 1

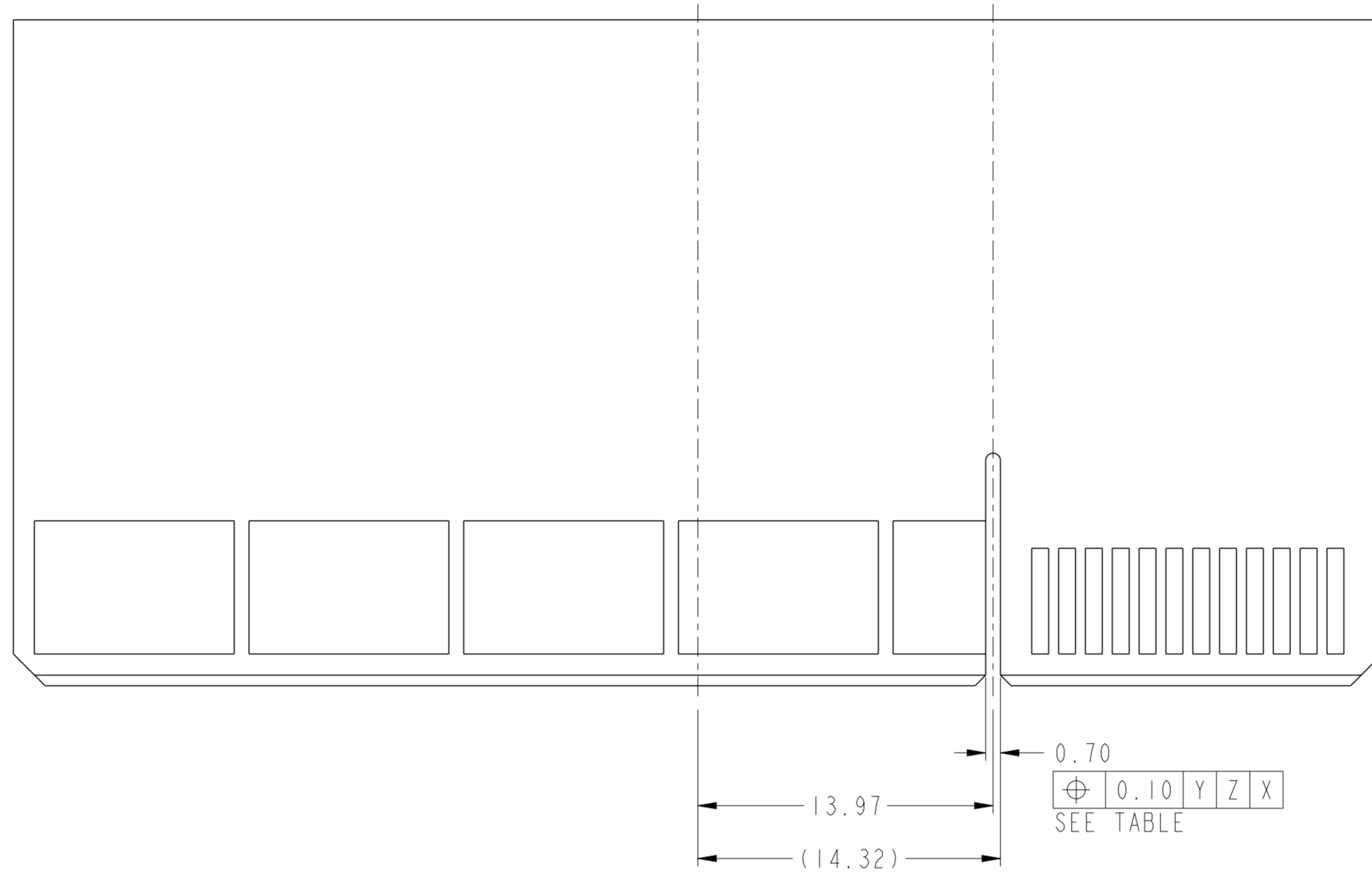
Copyright FCI.
FCI

dr	Tim Houtz	2009/10/21	projection	MM	size	A2	scale	4:1	
eng	Wei-Long Zhang	2012/09/05			ecn no	ELX-DG-012741-1			
chr	-	-			rel level	Released			
appr	Pei-Ming Zheng	2012/09/11	product family	CARD EDGE					
		title	HPCE-STRADDLE MT (36P-24S) (RECEPTACLE) SPECIAL CASE		dwg no	10107844		rev	G
www.fci.com		cat. no.	-		Product - Customer Drw		sheet 4 of 6		

PDS: Rev :G

STATUS:Released

Printed: Sep 11, 2012

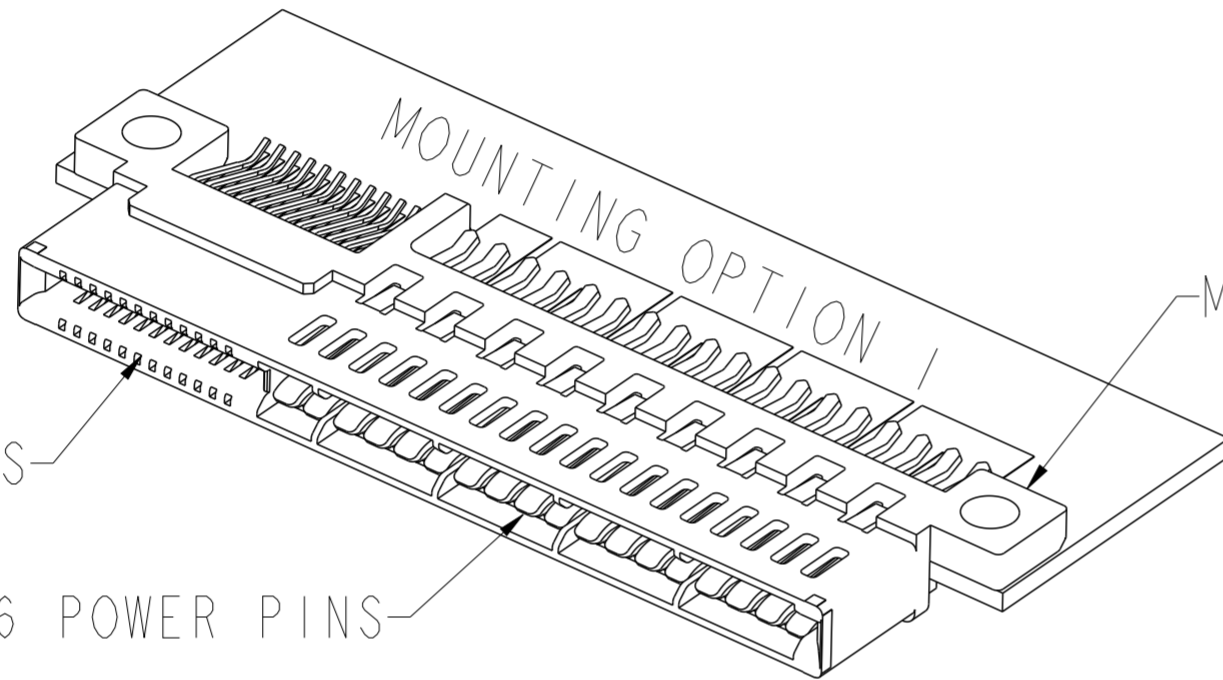
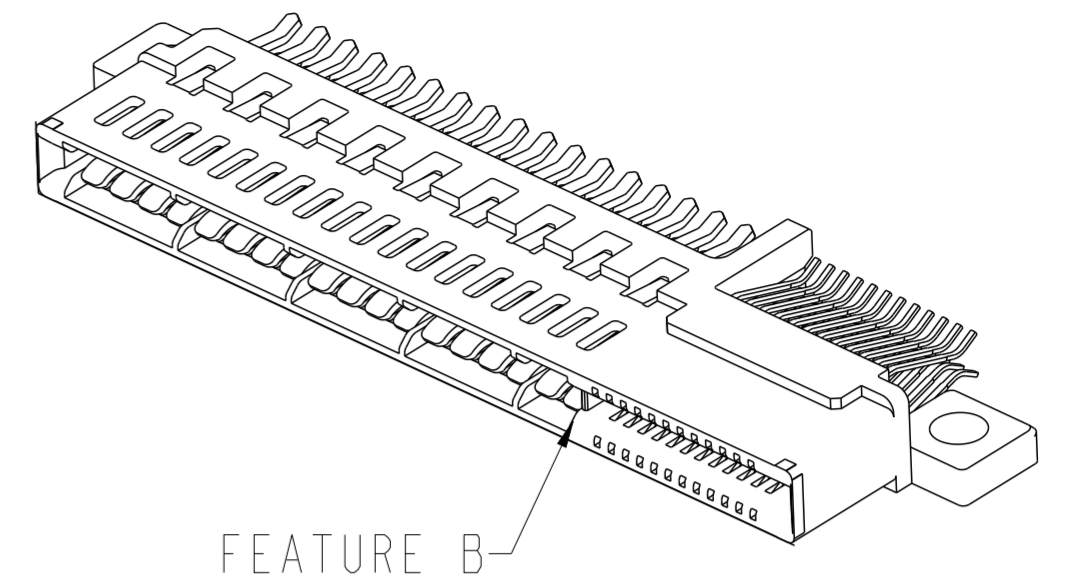
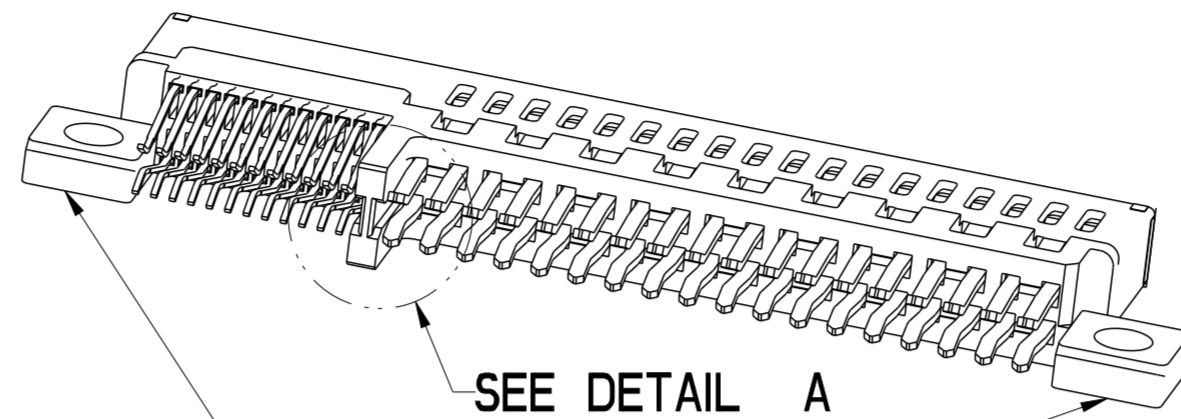


**RECOMMENDED MATING BOARD
 △ FOOTPRINT - OPTION 2**
 (ALL DIMENSIONS ARE SAME AS PAGE 4 EXCEPT ABOVE)

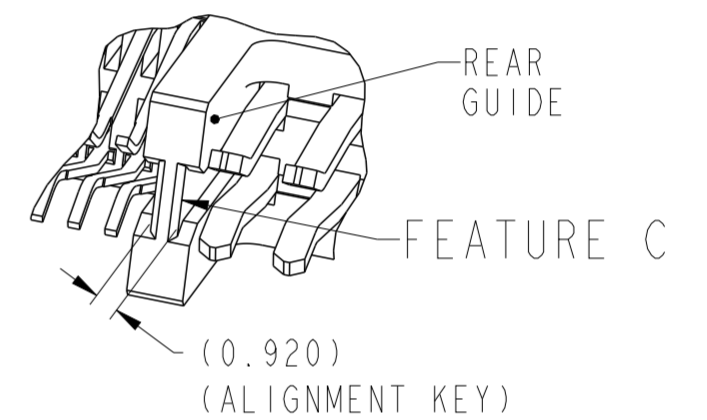
Copyright FCI.
FCI

dr	Tim Houtz	2009/10/21	projection	MM	size	A2	scale	4:1
eng	Wei-Long Zhang	2012/09/05			ecn no	ELX-DG-012741-1		
chr	-	rel level			Released			
appr	Pai-Ming Zheng	2012/09/11	product family	-	cat. no.	Product - Customer Drw		
		title	HPCE-STRADDLE MT (36P-24S)		divg no	10107844		rev
www.fci.com		(RECEPTACLE) SPECIAL CASE						G

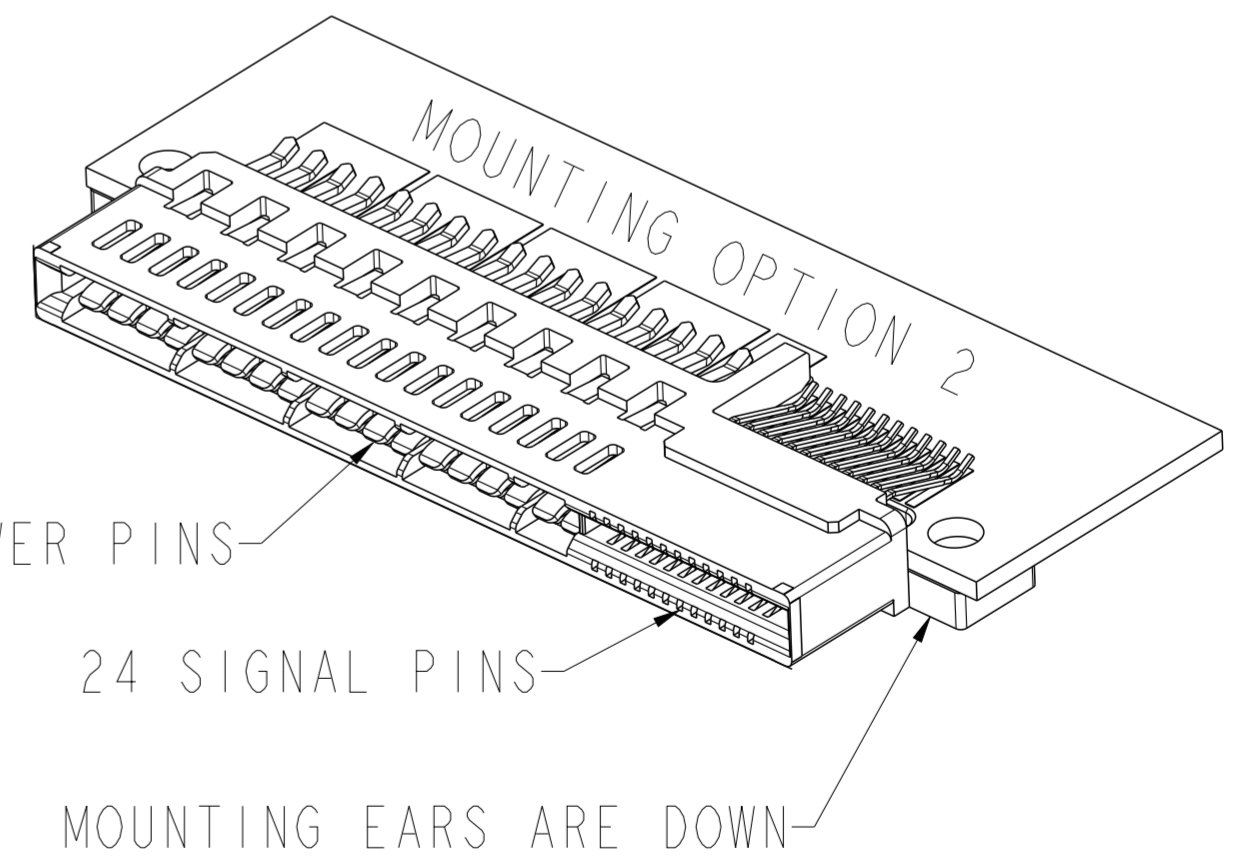
PART NUMBER	FEATURE C HOST BOARD ALIGNMENT KEY (SEE NOTE 8)	FEATURE A MOUNTING EARS	FEATURE B FRONT POLARIZATION KEY
10107844-001LF	NO	YES	YES
10107844-002LF	NO		NO
10107844-003LF	YES		NO
10107844-004LF	YES		YES



MOUNTING EARS ARE UP



DETAIL A
SCALE 4:1



MOUNTING EARS ARE DOWN

NOTES:

- CONNECTOR MATERIALS:
HOUSING: HIGH TEMPERATURE THERMAL PLASTIC, BLACK
UL 94V-0 COMPLIANT
CONTACTS: HIGH PERFORMANCE COPPER ALLOY.
- CONTACT FINISH REF. GS-12-604 SECTION 5.2.
- PRODUCT SPECIFICATION: GS-12-604.
- APPLICATION SPECIFICATION: GS-20-128.
- PRODUCT MARKING (FCI - PART NUMBER & DATE CODE) ON HOUSING IN AREA SHOWN.
- PACKAGING MEETS FCI SPECIFICATION GS-14-937.
- HOUSING COMPONENT WILL WITHSTAND EXPOSURE TO 260°C PEAK TEMPERATURE FOR 60 SECONDS IN A CONVECTION, INFRA-RED, OR VAPOR PHASE REFLOW OVEN.
- HOST BOARD ALIGNMENT KEY IS RECOMMENDED TO ENSURE PROPER ALIGNMENT OF SOLDER TAILS WITH HOST BOARD PADS.
- THE OLD RECOMMENDED BOARD IS ASSOCIATED WITH -001 & -002 PARTS. THE NEW HOST BOARD CAN BE USED WITH ALL DASH NUMBERS AND IS FOR IMPROVED SOLDER REFLOW PROCESS.
- A \triangle SYMBOL WILL BE NEXT TO ANY DIMENSION, VIEW, OR NOTE WHICH HAS BEEN MODIFIED WITH THE CURRENT DRAWING REVISION.

dr	Tim Houtz	2009/10/21	projection	MM	size	A2	scale	4:1
eng	Wei-Long Zhang	2012/09/05			ecn no	ELX-DG-012741-1		
chr	-	-			rel level	Released		
appr	Pai-Ming Zheng	2012/09/11	product family	CARD EDGE	cat. no.	10107844	rev	G
www.fci.com			Product - Customer Drw			sheet 6 of 6		

