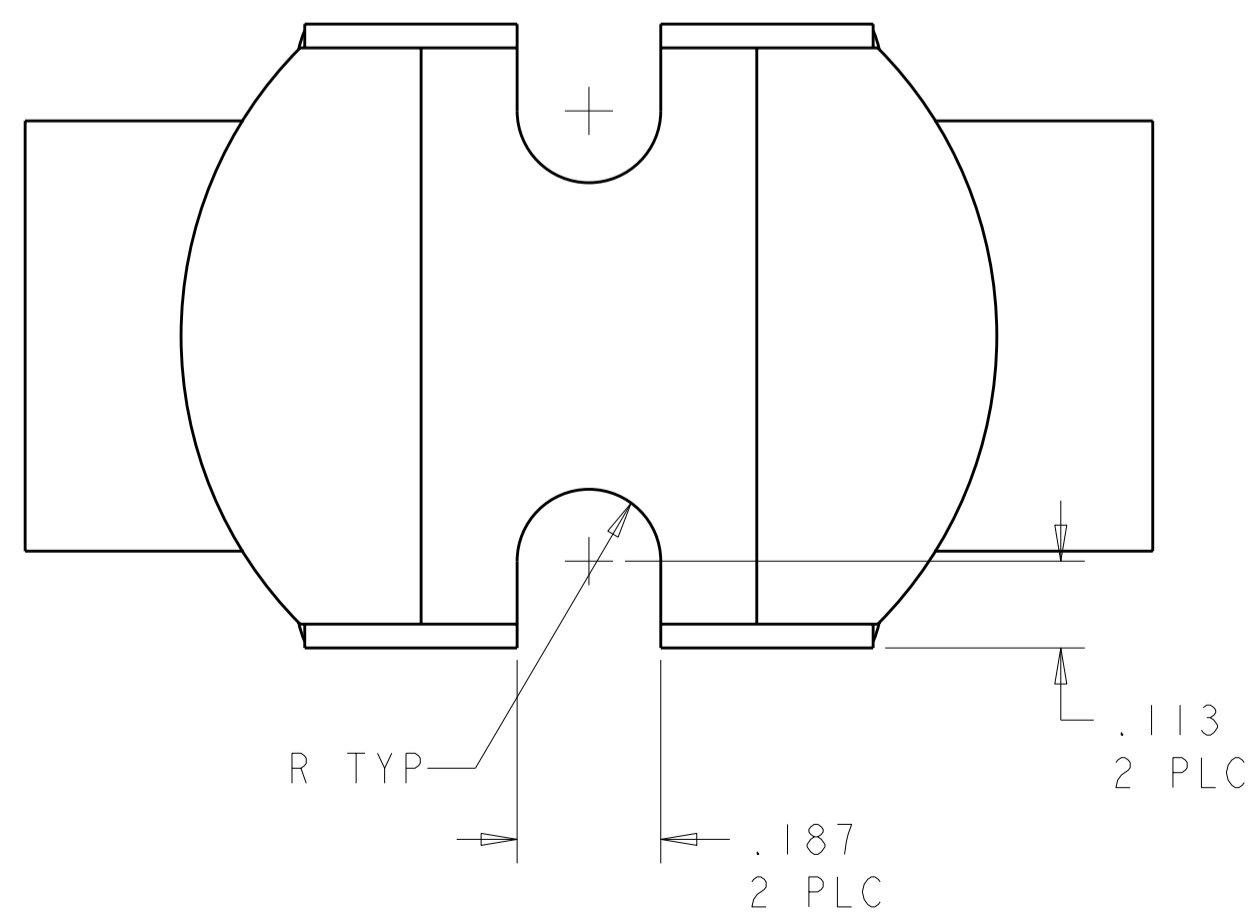
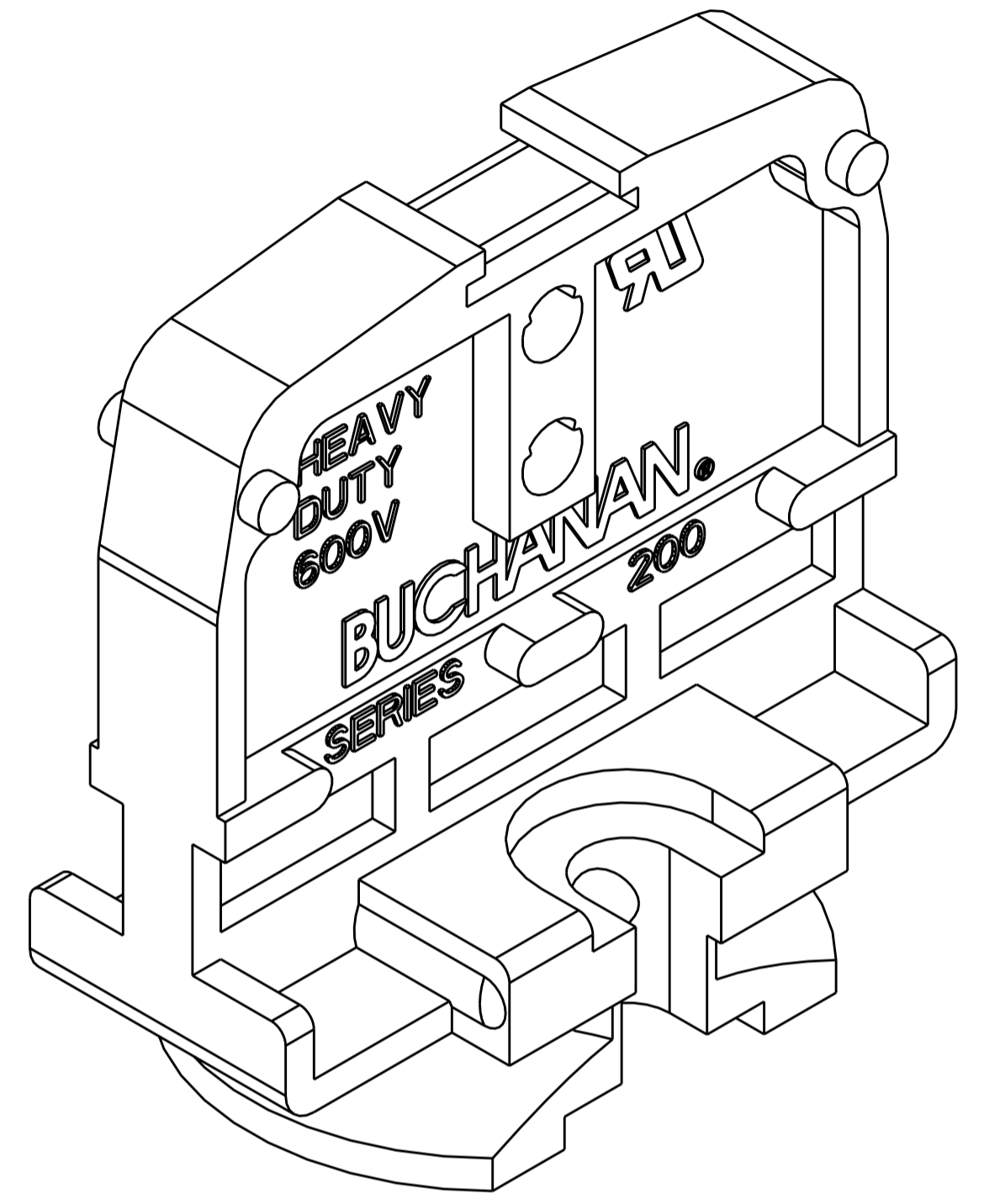
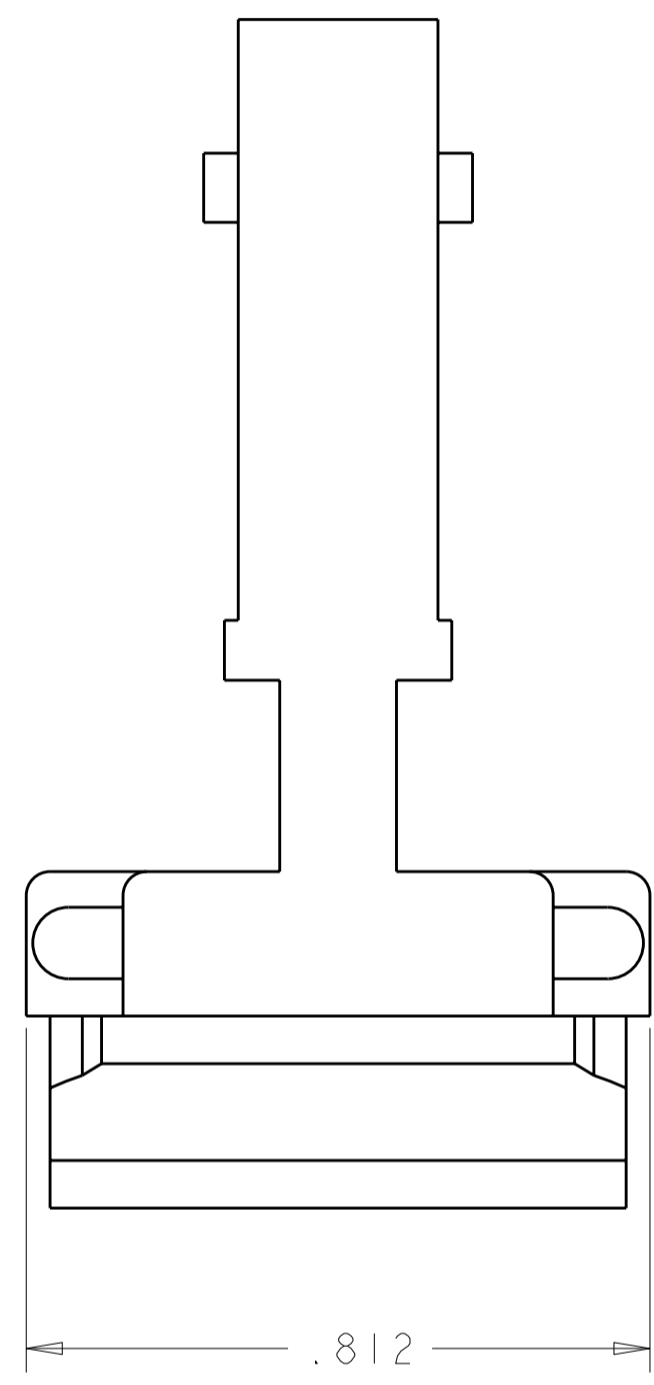
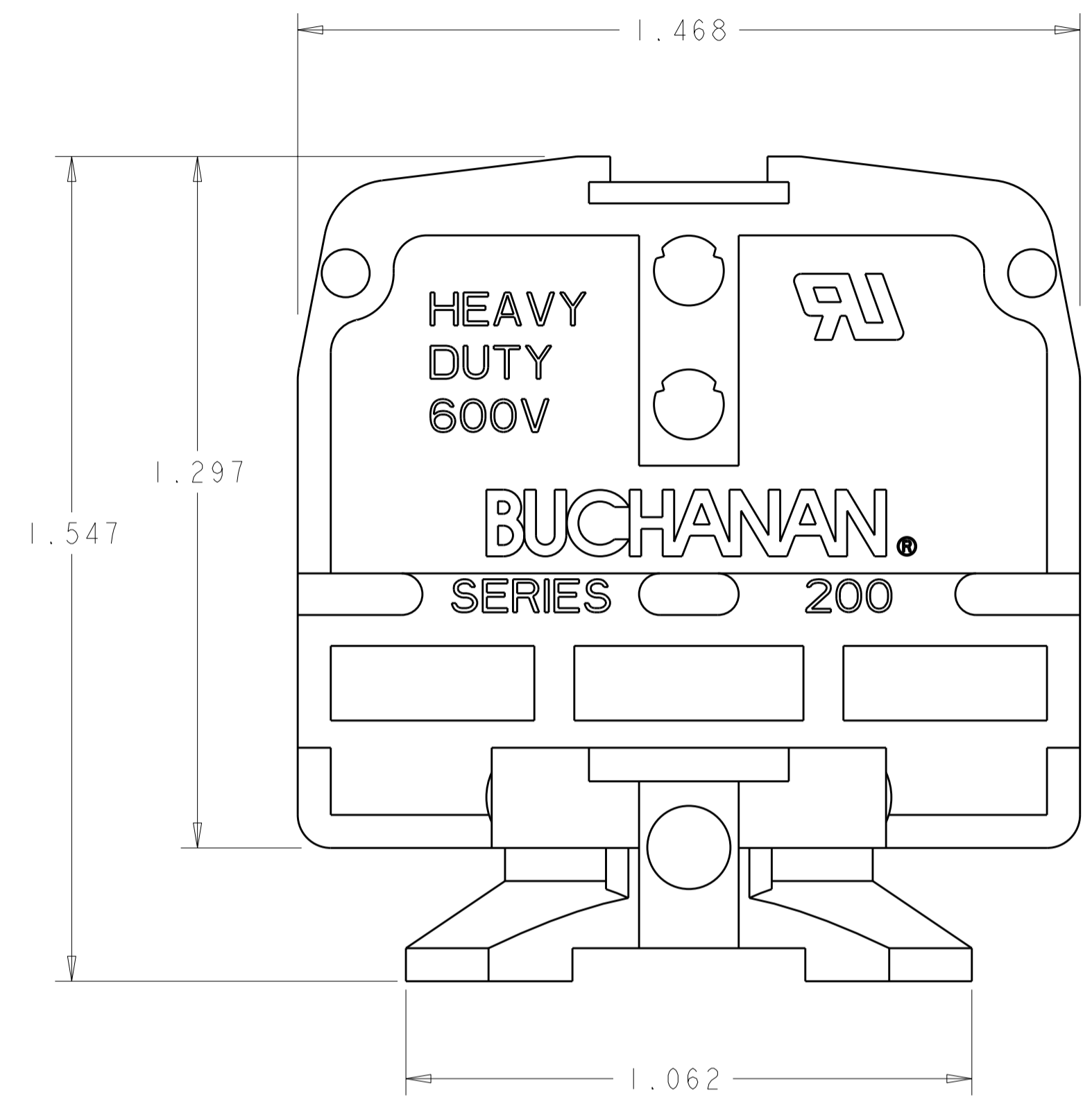


THIS DRAWING IS UNPUBLISHED. RELEASED FOR PUBLICATION 20  
 © COPYRIGHT 20 BY TYCO ELECTRONICS CORPORATION. ALL RIGHTS RESERVED.

LOC		DIST		REVISIONS			
P	LTR	DESCRIPTION	DATE	DWN	APVD		
	J	REVISED ECO-05-015239	30JAN2006	SW	SY		
	JI	REVISED ECO-06-012256	25MAY2006	SW	SY		
	K	REVISED PER ECO-08-015972	30JUN2008	HMR	FD		



1. PHENOLIC, UL 94V-1 RATED, COLOR: BLACK.

1-1437390-4  
PART NUMBER

THIS DRAWING IS A CONTROLLED DOCUMENT FOR TYCO ELECTRONICS CORPORATION. IT IS SUBJECT TO CHANGE AND THE CONTROLLING ENGINEERING ORGANIZATION SHOULD BE CONTACTED FOR THE LATEST REVISION.		DWN	S. WELDON	30 JAN 2006	Tyco Electronics Harrisburg, PA 17105-3608	
DIMENSIONS: INCHES		CHK	S. YODER	30 JAN 2006	NAME END MOUNTING SECTION HEAVY DUTY, DOVETAIL BASE	
TOLERANCES UNLESS OTHERWISE SPECIFIED:		APVD	S. YODER	30 JAN 2006	SIZE A200779	
0 PLC	±	PRODUCT SPEC	DRAWING NO C-1447855			
1 PLC	±0.0	APPLICATION SPEC	RESTRICTED TO			
2 PLC	±0.00	WEIGHT	-			
3 PLC	±0.010	CUSTOMER DRAWING	SCALE 4:1			
4 PLC	±0.0000	SCALE	SHEET 1 OF 1			
ANGLES	±	REV	K			
FINISH	-					