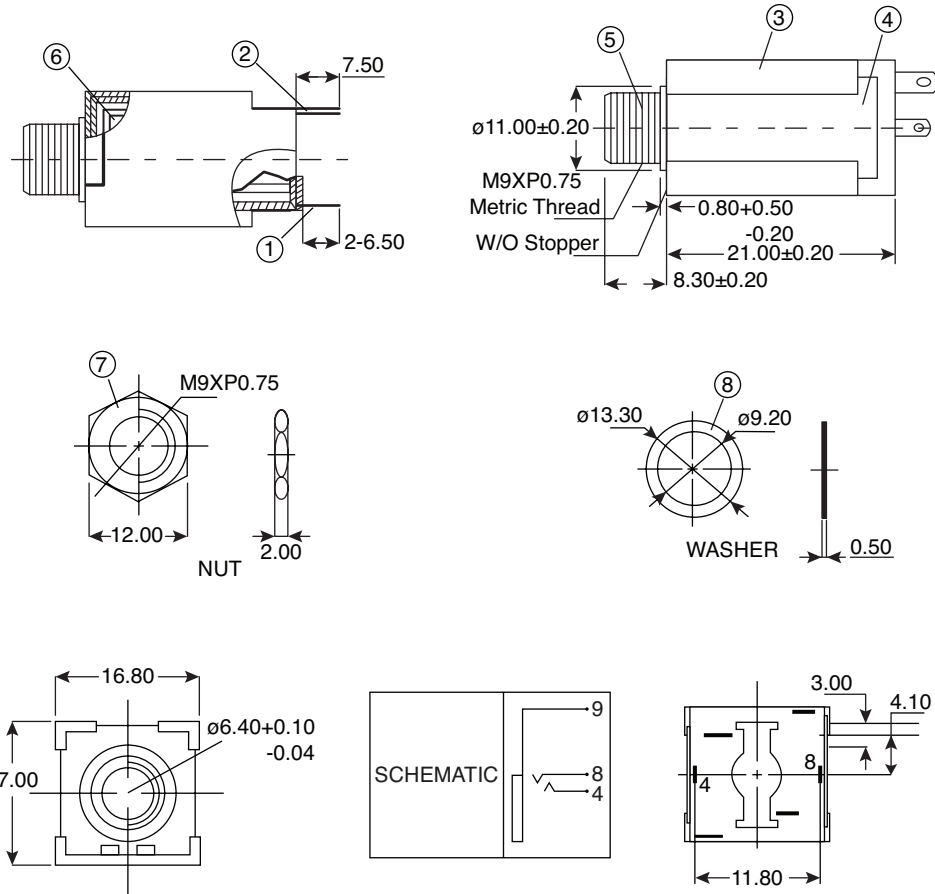


# 1/4" Phone Jacks

## 161-610A3-E

**KOBI**CONN

1/4" Phone Jacks



Dimensions: mm

No.	Description	Material	Qty.	Finish
1	Tip Spring	0.35T Phosphor Bronze	1	Silver Plated
2	Ring Spring	0.35T Phosphor Bronze	1	Silver Plated
3	Housing	POM	1	Black Color
4	Cover	0.5T Steel	1	Nickel Plated
5	Barrel w/Thread	Brass	1	Nickel Plated
6	Insulator	Red Vulcanited Fiber	1	Red Color
7	Nut	2.0T Steel	1	Nickel Plated
8	Washer	0.5T Steel	1	Nickel Plated

### SPECIFICATIONS

<b>Contact Resistance:</b>	30mΩ max.
<b>Insulation Resistance:</b>	100MΩ min. at DC 500V
<b>Dielectric Withstanding Voltage:</b>	AC 500V for one minute

RoHS Compliant

Date Last Revised: 03-07-12

Available from Mouser Electronics  
1-800-346-6873 / [www.mouser.com](http://www.mouser.com)

KC-301401

161-610A3-E