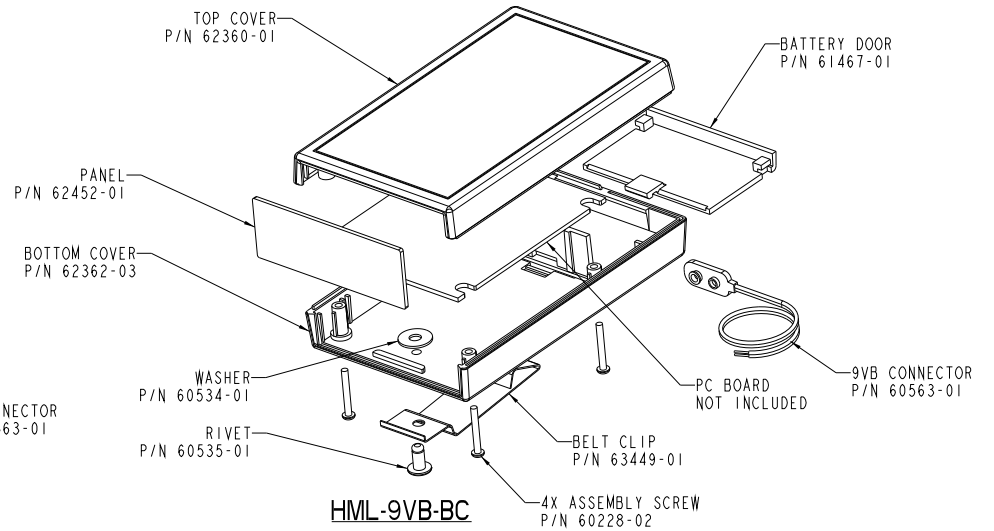
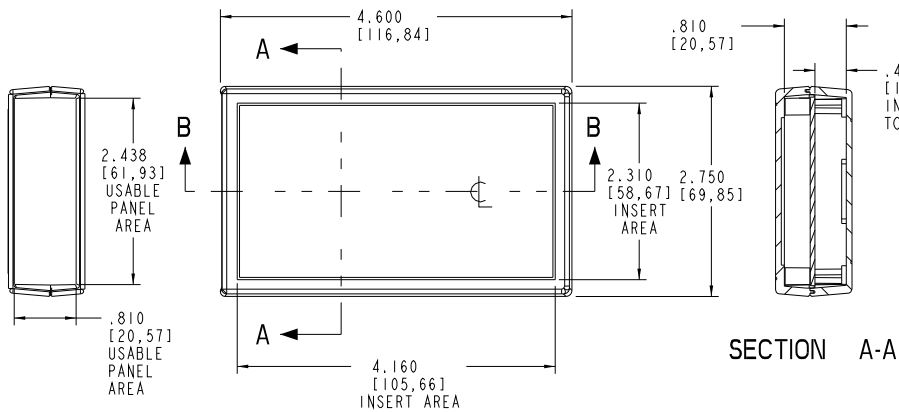


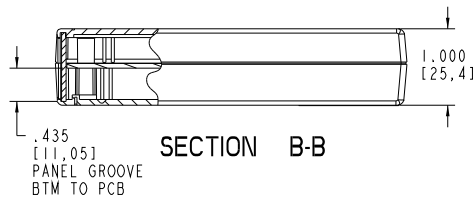
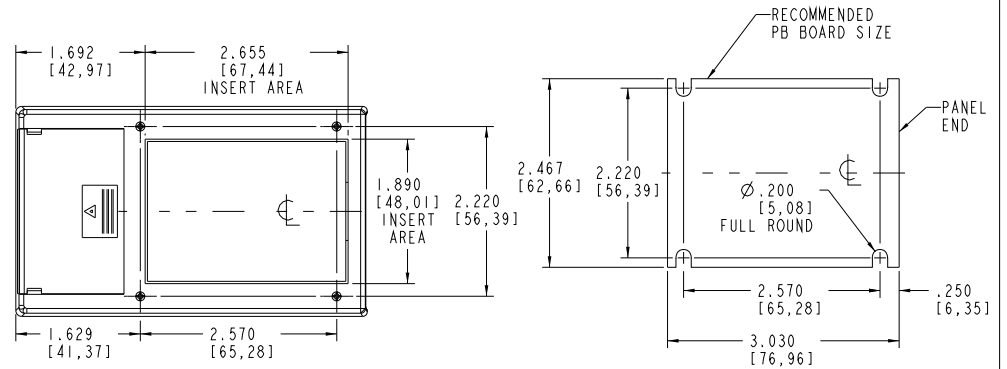
**HML-9VB**



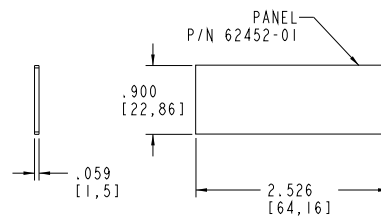
**HML-9VB-BC**



**SECTION A-A**



**SECTION B-B**



**PACINTEC®**  
1-610-361-4200

**HML-9VB, HML-9VB-BC**

VISIT **PACINTEC®**  
ON THE WORLD WIDE WEB  
[www.pactecenclosures.com](http://www.pactecenclosures.com)

COLOR / MATERIAL CODE	
COLOR	94HB 94VO
BLACK	000 028
P.C.BONE	039 060

DRAWING NUMBER	REV
62456	C