

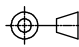


CODE 76 - TINEL-LOCK BACKSHELL

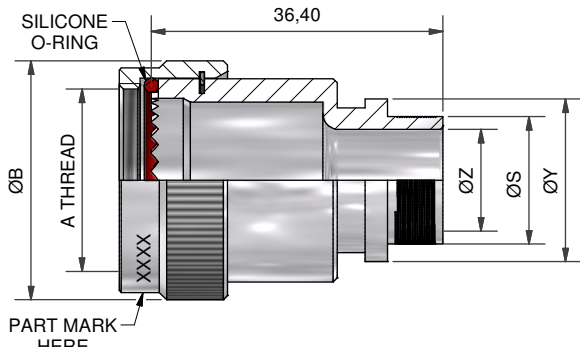
TXR76AB00-1608AI

SERIES _____
 TXR: RING INCLUDED
 (SEE RING OPTION)
 TX: RING NOT INCLUDED
 CONNECTOR INTERFACE _____
 MATERIAL _____
 REFER TO CH00-0250-008
 FINISH _____
 REFER TO CH00-0250-008
 ANGLE _____
 ORDER NUMBER (TABLE 1) _____
 ENTRY SIZE (TABLE 2) _____
 RING OPTION _____
 AI - TO SUIT SINGLE BRAID
 BI - TO SUIT DOUBLE BRAID
 FOR TX, LEAVE BLANK
 MODIFICATION CODE _____
 REFER TO CH00-0250-008 (2)

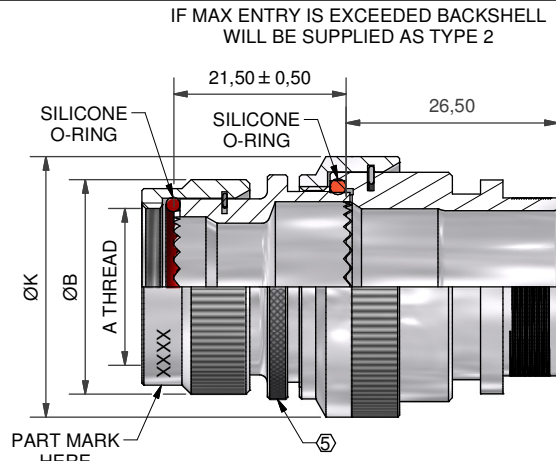
NOTES:

1. THIS PRODUCT IS DESIGNED TO TERMINATE A BRAIDED CABLE SHIELD AND A HEAT SHRINKABLE LIPPED BOOT TO A CONNECTOR.
- (2) FOR ADDITIONAL DIMENSIONS, ORDERING INFORMATION AND MODIFICATIONS, SEE CH00-0250-008.
- (3) SEE DRAWING TR FOR DETAIL ON TINEL-LOCK RING, RINGS ARE DESIGNED TO BE HEATED ELECTRICALLY, ALL RINGS ARE MARKED WITH THERMOCHROMIC PAINT WHICH CHANGES COLOUR WHEN INSTALLATION TEMPERATURE IS REACHED.
4. BACKSHELL TO BE PERMANENTLY MARKED/BAGGED AND LABELLED WITH CODE IDENTIFICATION NUMBER AND PART NUMBER LESS RING DESIGNATOR. (e.g. 06090-TXR76AB00-1206). RING SHALL BEAR NO MARKING.
- (5) FOR LARGER ENTRY SIZES, A 2 PIECE BACKSHELL ASSEMBLY (TYPE 2) IS SUPPLIED.
- (6) BACKSHELL MATES WITH BS 9522. N0001 PATT 603, BSS 9522, F0017 PATT 105

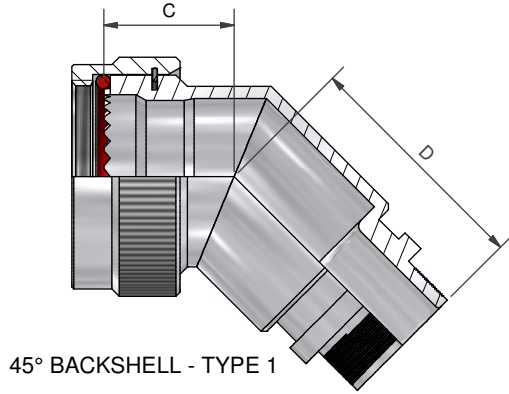
DRAWN	K.WINCZURA	DATE	05/12/2014	 3RD ANGLE PROJECTION NOT TO SCALE	TITLE: TINEL LOCK BACKSHELL	 Polamco 		
CHECKED		DATE	05/12/2014					
APPROVED	K.SHEPPARD	DATE	15/12/2014					
APPROVED	H.SMITH	DATE	01/10/2015					
REVISIONS					ASSY USED ON: BS9522 PATT 105 / PATT 603			
LTR	DESCRIPTION	DATE	APPROVED					
E	REVISED PER ECO-15-002399	18/02/2015						
F	REVISED PER ECO-15-013980	01/10/2015	H.SMITH					
TE CAGE CODE: 06090 POLAMCO/TE CAGE CODE: U5792					TE CONNECTIVITY - POLAMCO LTD RESERVES THE RIGHT TO AMEND THIS DRAWING AND THE INFORMATION SET FORTH HEREON AT ANY TIME. USERS SHOULD INDEPENDENTLY EVALUATE THE SUITABILITY OF THE PRODUCT FOR THEIR APPLICATION.	DRAWING NO: TXR76	DRAWING REV: F	SHT 1



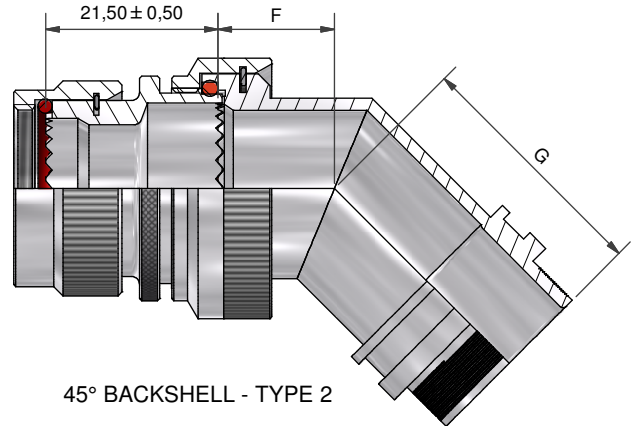
STRAIGHT BACKSHELL - TYPE 1



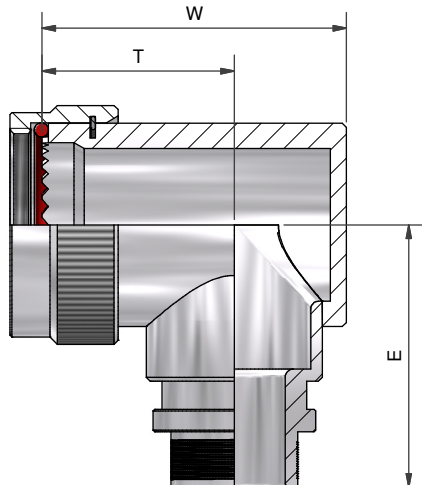
STRAIGHT BACKSHELL - TYPE 2



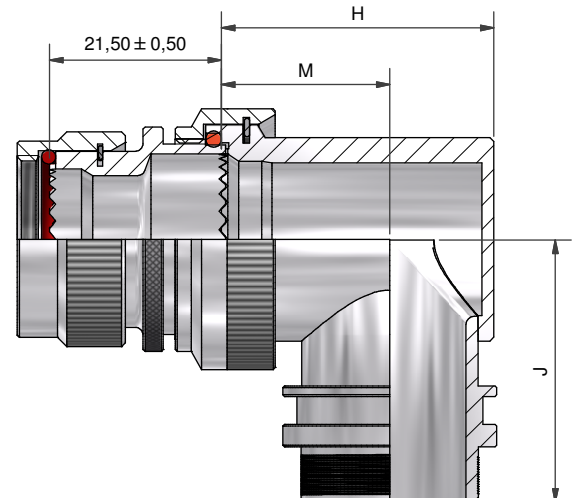
45° BACKSHELL - TYPE 1



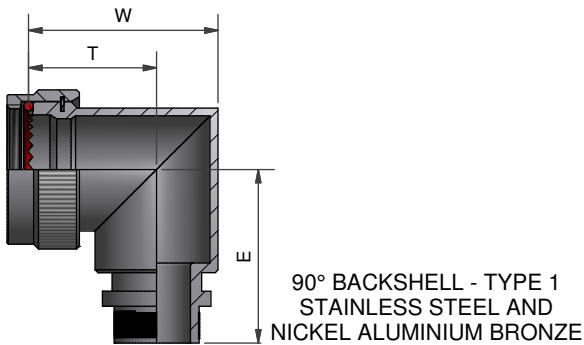
45° BACKSHELL - TYPE 2



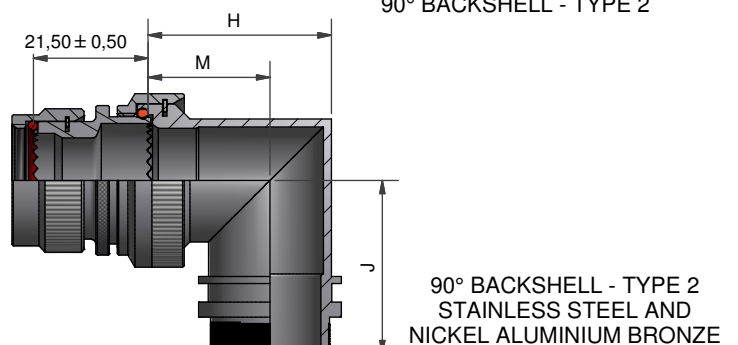
90° BACKSHELL - TYPE 1



90° BACKSHELL - TYPE 2



90° BACKSHELL - TYPE 1
STAINLESS STEEL AND
NICKEL ALUMINIUM BRONZE



90° BACKSHELL - TYPE 2
STAINLESS STEEL AND
NICKEL ALUMINIUM BRONZE

DRAWN	K.WINCZURA	DATE	05/12/2014
CHECKED		DATE	05/12/2014
APPROVED	K.SHEPPARD	DATE	15/12/2014
APPROVED	H.SMITH	DATE	01/10/2015

3RD ANGLE PROJECTION
NOT TO SCALE

UNLESS OTHERWISE SPECIFIED
ALL DIMENSIONS IN MILLIMETRES
GENERAL TOL
LINEAR +/-0.25MM
ANGULAR +/- 1°

REVISIONS			
LTR	DESCRIPTION	DATE	APPROVED
E	REVISED PER ECO-15-002399	18/02/2015	
F	REVISED PER ECO-15-013980	01/10/2015	H.SMITH


TE CAGE CODE: 06090
POLAMCO/TE CAGE CODE: U5792

TITLE:
TINEL LOCK BACKSHELL

ASSY USED ON:
BS9522 PATT 105 / PATT 603

DRAWING NO: TXR76
DRAWING REV: F
SHT: 2

TE CONNECTIVITY - POLAMCO LTD RESERVES THE RIGHT TO AMEND THIS DRAWING AND THE INFORMATION SET FORTH HEREON AT ANY TIME. USERS SHOULD INDEPENDENTLY EVALUATE THE SUITABILITY OF THE PRODUCT FOR THEIR APPLICATION.



THESE DIMENSIONS APPLY IF
BACKSHELL IS STAINLESS STEEL
OR NICKEL ALUMINIUM BRONZE

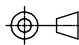
TABLE 1

ORDER NUMBER	SHELL SIZE (6)	A THREAD	ØB MAX	MAX ENTRY	C ±0,5	D ±0,5	W ±0,5	T ±0,5	E ±0,5	W ±0,5	T ±0,5	E ±0,5
08	8	7/16-28UNEF	17,3	04	13,90	26,8	25,0	17,5	26,20	22,4	17,5	26,4
10	10	9/16-24UNEF	20,3	06	14,40	27,5	28,0	18,6	27,95	24,8	18,6	28,2
12	12	11/16-24UNEF	23,8	08	15,20	28,0	31,5	20,5	29,45	29,5	20,5	29,7
14	14	13/16-20UNEF	26,8	10	16,04	29,0	35,0	22,5	31,00	32,6	22,5	31,2
16	16	15/16-20UNEF	29,8	12	16,29	29,7	38,0	24,0	32,70	35,4	24,0	32,9
18	18	1 1/16-18UNEF	33,3	14	17,34	30,5	41,5	26,0	34,25	39,2	26,0	34,5
20	20	1 3/16-18UNEF	36,3	16	17,68	30,9	45,0	28,0	35,80	42,6	28,0	36,1
22	22	1 5/16-18UNEF	39,8	18	18,02	31,1	48,0	29,5	37,40	45,8	29,5	37,6
24	24	1 7/16-18UNEF	42,8	18	19,17	32,1	51,0	31,0	38,90	48,3	31,0	39,1

THESE DIMENSIONS APPLY IF
BACKSHELL IS STAINLESS STEEL
OR NICKEL ALUMINIUM BRONZE

TABLE 2

ENTRY SIZE	ØZ MIN	ØS	ØY ± 0,3	ØK MAX	F ±0,5	G ±0,5	H ±0,5	M ±0,5	J ±0,5	H ±0,5	M ±0,5	J ±0,5
04	6,35	9,49 +/-0,04	14,00	NA	NA	NA	NA	NA	NA	NA	NA	NA
05	7,92	11,06 +/-0,04	15,50	21,0	12,5	27,5	24,0	15,5	27,95	24,3	17,2	28,2
06	9,53	12,66 +/-0,04	17,10	21,0	12,5	27,5	24,0	15,5	27,95	24,3	17,2	28,2
07	11,10	14,21 +/-0,07	18,70	21,0	12,5	27,5	24,0	15,5	27,95	24,3	17,2	28,2
08	12,70	15,81 +/-0,07	20,30	24,5	13,1	28,0	27,0	17,0	29,45	28,3	19,4	29,7
10	15,88	18,96 +/-0,08	23,50	29,0	13,5	29,0	31,0	19,5	31,00	31,1	21,0	31,2
12	19,05	22,14 +/-0,08	26,70	32,5	14,5	29,7	34,0	21,0	32,70	34,2	22,8	32,9
14	22,23	25,30 +/-0,08	29,80	35,5	15,5	30,5	35,0	20,0	34,25	38,5	25,3	34,5
16	25,40	28,48 +/-0,08	33,00	37,0	16,1	30,9	38,0	21,5	35,80	40,7	26,1	36,1
18	28,58	31,65 +/-0,08	36,20	40,0	16,5	31,1	42,0	24,0	37,40	43,7	27,6	37,6
20	31,75	34,83 +/-0,08	39,40	43,5	17,0	32,1	45,0	25,5	38,90	46,4	29,1	39,1
22	34,93	37,98 +/-0,08	42,50	48,5	18,5	35,3	54,5	31,0	42,00	50,0	31,0	42,0
24	38,10	41,15 +/-0,08	45,70	52,1	21,9	38,1	58,0	33,0	46,00	53,5	33,0	46,0

DRAWN	K.WINCZURA	DATE	05/12/2014	 3RD ANGLE PROJECTION NOT TO SCALE
CHECKED		DATE	05/12/2014	
APPROVED	K.SHEPPARD	DATE	15/12/2014	
APPROVED	H.SMITH	DATE	01/10/2015	
REVISIONS				
LTR	DESCRIPTION	DATE	APPROVED	
E	REVISED PER ECO-15-002399	18/02/2015		
F	REVISED PER ECO-15-013980	01/10/2015	H.SMITH	

UNLESS OTHERWISE SPECIFIED
ALL DIMENSIONS IN MILLIMETRES
GENERAL TOL
LINEAR +/-0,25MM
ANGULAR +/- 1°

TITLE:

TINEL LOCK BACKSHELL

ASSY USED ON:

BS9522 PATT 105 / PATT 603



TE CAGE CODE: 06090
POLAMCO/TE CAGE CODE: U5792

TE CONNECTIVITY - POLAMCO LTD RESERVES THE RIGHT TO AMEND THIS DRAWING AND THE INFORMATION SET FORTH HEREON AT ANY TIME. USERS SHOULD INDEPENDENTLY EVALUATE THE SUITABILITY OF THE PRODUCT FOR THEIR APPLICATION.

DRAWING NO:	DRAWING REV:	SHT
TXR76	F	3