



CODE 76 - TINEL-LOCK BACKSHELL

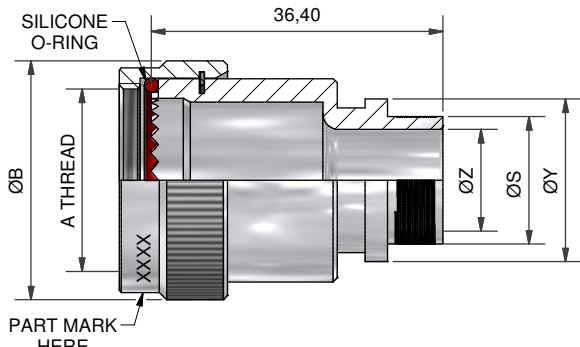
TXR76AB00-1608AI

SERIES _____
 TXR: RING INCLUDED
 (SEE RING OPTION)
 TX: RING NOT INCLUDED
 CONNECTOR INTERFACE _____
 MATERIAL _____
 REFER TO CH00-0250-008
 FINISH _____
 REFER TO CH00-0250-008
 ANGLE _____
 ORDER NUMBER (TABLE 1) _____
 ENTRY SIZE (TABLE 2) _____
 RING OPTION _____
 AI - TO SUIT SINGLE BRAID
 BI - TO SUIT DOUBLE BRAID
 FOR TX, LEAVE BLANK
 MODIFICATION CODE _____
 REFER TO CH00-0250-008 (2)

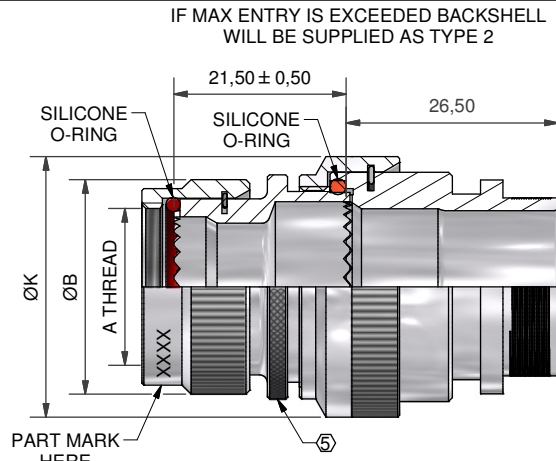
NOTES:

1. THIS PRODUCT IS DESIGNED TO TERMINATE A BRAIDED CABLE SHIELD AND A HEAT SHRINKABLE LIPPED BOOT TO A CONNECTOR.
- (2) FOR ADDITIONAL DIMENSIONS, ORDERING INFORMATION AND MODIFICATIONS, SEE CH00-0250-008.
- (3) SEE DRAWING TR FOR DETAIL ON TINEL-LOCK RING, RINGS ARE DESIGNED TO BE HEATED ELECTRICALLY, ALL RINGS ARE MARKED WITH THERMOCHROMIC PAINT WHICH CHANGES COLOUR WHEN INSTALLATION TEMPERATURE IS REACHED.
4. BACKSHELL TO BE PERMANENTLY MARKED/BAGGED AND LABELLED WITH CODE IDENTIFICATION NUMBER AND PART NUMBER LESS RING DESIGNATOR. (e.g. 06090-TXR76AB00-1206). RING SHALL BEAR NO MARKING.
- (5) FOR LARGER ENTRY SIZES, A 2 PIECE BACKSHELL ASSEMBLY (TYPE 2) IS SUPPLIED.
- (6) BACKSHELL MATES WITH BS 9522. N0001 PATT 603, BSS 9522, F0017 PATT 105

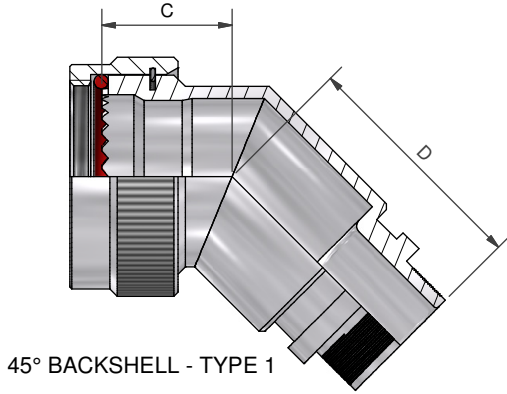
| | | | | | | | |
|--|---------------------------|-------------|-----------------|--|--|-----------------------------------|--|
| DRAWN | K.WINCZURA | DATE | 05/12/2014 |  3RD ANGLE PROJECTION NOT TO SCALE | TITLE: | TINEL LOCK BACKSHELL |  Polamco |
| CHECKED | | DATE | 05/12/2014 | | | | |
| APPROVED | K.SHEPPARD | DATE | 15/12/2014 | | | | |
| APPROVED | H.SMITH | DATE | 01/10/2015 | | | | |
| REVISIONS | | | | | ASSY USED ON: | BS9522 PATT 105 / PATT 603 |  TE |
| LTR | DESCRIPTION | DATE | APPROVED | | | | |
| E | REVISED PER ECO-15-002399 | 18/02/2015 | | | | | |
| F | REVISED PER ECO-15-013980 | 01/10/2015 | H.SMITH | | | | |
| TE CAGE CODE: 06090 POLAMCO/TE CAGE CODE: U5792 | | | | | TE CONNECTIVITY - POLAMCO LTD RESERVES THE RIGHT TO AMEND THIS DRAWING AND THE INFORMATION SET FORTH HEREON AT ANY TIME. USERS SHOULD INDEPENDENTLY EVALUATE THE SUITABILITY OF THE PRODUCT FOR THEIR APPLICATION. | | |
| | | | | | DRAWING NO: | DRAWING REV: | SHT |
| | | | | | TXR76 | F | 1 |



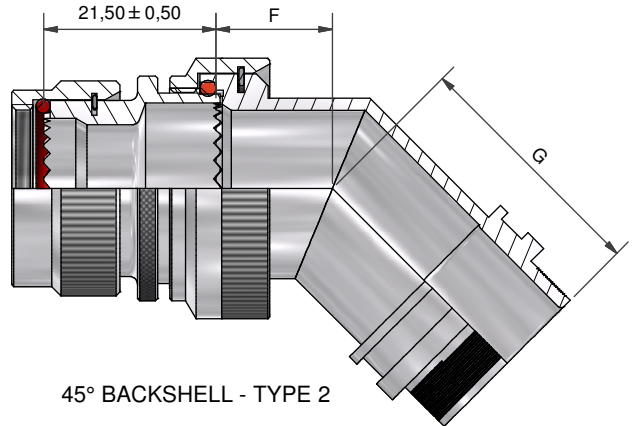
STRAIGHT BACKSHELL - TYPE 1



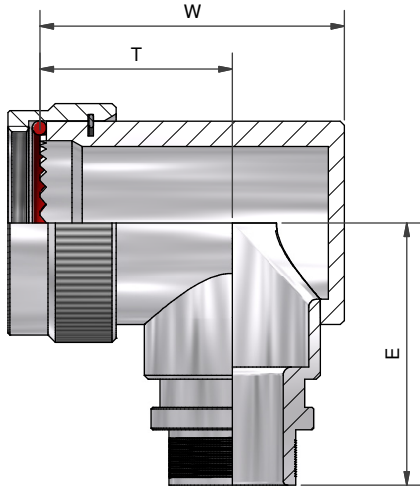
STRAIGHT BACKSHELL - TYPE 2



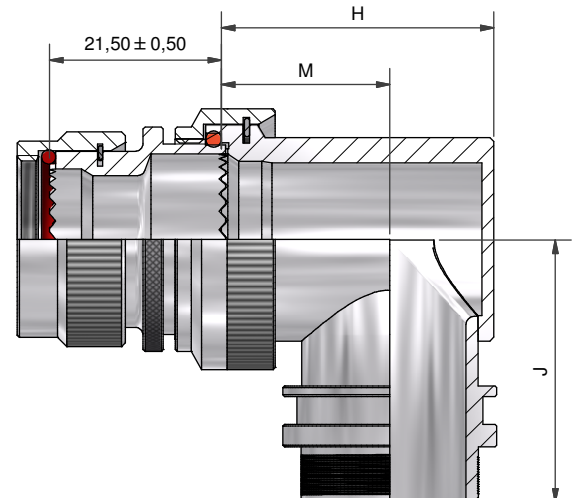
45° BACKSHELL - TYPE 1



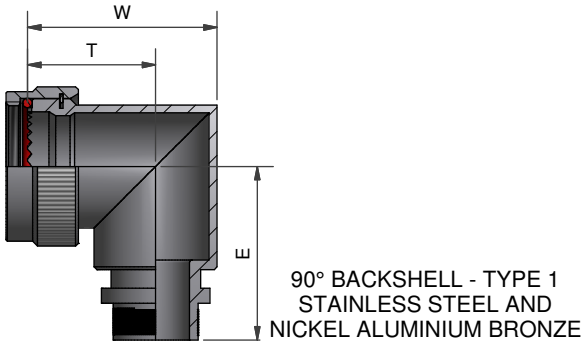
45° BACKSHELL - TYPE 2



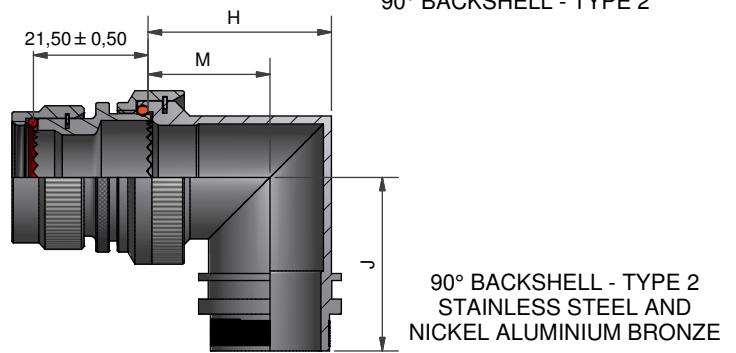
90° BACKSHELL - TYPE 1



90° BACKSHELL - TYPE 2



90° BACKSHELL - TYPE 1
STAINLESS STEEL AND
NICKEL ALUMINIUM BRONZE



90° BACKSHELL - TYPE 2
STAINLESS STEEL AND
NICKEL ALUMINIUM BRONZE

| | | | |
|-----------------|------------|-------------|------------|
| DRAWN | K.WINCZURA | DATE | 05/12/2014 |
| CHECKED | | DATE | 05/12/2014 |
| APPROVED | K.SHEPPARD | DATE | 15/12/2014 |
| APPROVED | H.SMITH | DATE | 01/10/2015 |

3RD ANGLE PROJECTION
NOT TO SCALE

UNLESS OTHERWISE SPECIFIED
ALL DIMENSIONS IN MILLIMETRES
GENERAL TOL
LINEAR +/-0.25MM
ANGULAR +/- 1°

| REVISIONS | | | |
|-----------|---------------------------|------------|----------|
| LTR | DESCRIPTION | DATE | APPROVED |
| E | REVISED PER ECO-15-002399 | 18/02/2015 | |
| F | REVISED PER ECO-15-013980 | 01/10/2015 | H.SMITH |

TE CAGE CODE: 06090
POLAMCO/TE CAGE CODE: U5792

TITLE:
TINEL LOCK BACKSHELL

ASSY USED ON:
BS9522 PATT 105 / PATT 603

TE CONNECTIVITY - POLAMCO LTD RESERVES THE RIGHT TO AMEND THIS DRAWING AND THE INFORMATION SET FORTH HEREON AT ANY TIME. USERS SHOULD INDEPENDENTLY EVALUATE THE SUITABILITY OF THE PRODUCT FOR THEIR APPLICATION.

Polamco
connectivity

TE
connectivity

| | | |
|------------------------------------|---------------------------------|------------------------|
| DRAWING NO: TXR76 | DRAWING REV: F | SHT 2 |
|------------------------------------|---------------------------------|------------------------|

THESE DIMENSIONS APPLY IF
BACKSHELL IS STAINLESS STEEL
OR NICKEL ALUMINIUM BRONZE

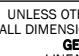
TABLE 1

| ORDER NUMBER | SHELL SIZE (6) | A THREAD | ØB MAX | MAX ENTRY | C ±0,5 | D ±0,5 | W ±0,5 | T ±0,5 | E ±0,5 | W ±0,5 | T ±0,5 | E ±0,5 |
|--------------|----------------|---------------|--------|-----------|--------|--------|--------|--------|--------|--------|--------|--------|
| 08 | 8 | 7/16-28UNEF | 17,3 | 04 | 13,90 | 26,8 | 25,0 | 17,5 | 26,20 | 22,4 | 17,5 | 26,4 |
| 10 | 10 | 9/16-24UNEF | 20,3 | 06 | 14,40 | 27,5 | 28,0 | 18,6 | 27,95 | 24,8 | 18,6 | 28,2 |
| 12 | 12 | 11/16-24UNEF | 23,8 | 08 | 15,20 | 28,0 | 31,5 | 20,5 | 29,45 | 29,5 | 20,5 | 29,7 |
| 14 | 14 | 13/16-20UNEF | 26,8 | 10 | 16,04 | 29,0 | 35,0 | 22,5 | 31,00 | 32,6 | 22,5 | 31,2 |
| 16 | 16 | 15/16-20UNEF | 29,8 | 12 | 16,29 | 29,7 | 38,0 | 24,0 | 32,70 | 35,4 | 24,0 | 32,9 |
| 18 | 18 | 1 1/16-18UNEF | 33,3 | 14 | 17,34 | 30,5 | 41,5 | 26,0 | 34,25 | 39,2 | 26,0 | 34,5 |
| 20 | 20 | 1 3/16-18UNEF | 36,3 | 16 | 17,68 | 30,9 | 45,0 | 28,0 | 35,80 | 42,6 | 28,0 | 36,1 |
| 22 | 22 | 1 5/16-18UNEF | 39,8 | 18 | 18,02 | 31,1 | 48,0 | 29,5 | 37,40 | 45,8 | 29,5 | 37,6 |
| 24 | 24 | 1 7/16-18UNEF | 42,8 | 18 | 19,17 | 32,1 | 51,0 | 31,0 | 38,90 | 48,3 | 31,0 | 39,1 |

THESE DIMENSIONS APPLY IF
BACKSHELL IS STAINLESS STEEL
OR NICKEL ALUMINIUM BRONZE

TABLE 2

| ENTRY SIZE | ØZ MIN | ØS | ØY ± 0,3 | ØK MAX | F ±0,5 | G ±0,5 | H ±0,5 | M ±0,5 | J ±0,5 | H ±0,5 | M ±0,5 | J ±0,5 |
|------------|--------|---------------|----------|--------|--------|--------|--------|--------|--------|--------|--------|--------|
| 04 | 6,35 | 9,49 +/-0,04 | 14,00 | NA | NA | NA | NA | NA | NA | NA | NA | NA |
| 05 | 7,92 | 11,06 +/-0,04 | 15,50 | 21,0 | 12,5 | 27,5 | 24,0 | 15,5 | 27,95 | 24,3 | 17,2 | 28,2 |
| 06 | 9,53 | 12,66 +/-0,04 | 17,10 | 21,0 | 12,5 | 27,5 | 24,0 | 15,5 | 27,95 | 24,3 | 17,2 | 28,2 |
| 07 | 11,10 | 14,21 +/-0,07 | 18,70 | 21,0 | 12,5 | 27,5 | 24,0 | 15,5 | 27,95 | 24,3 | 17,2 | 28,2 |
| 08 | 12,70 | 15,81 +/-0,07 | 20,30 | 24,5 | 13,1 | 28,0 | 27,0 | 17,0 | 29,45 | 28,3 | 19,4 | 29,7 |
| 10 | 15,88 | 18,96 +/-0,08 | 23,50 | 29,0 | 13,5 | 29,0 | 31,0 | 19,5 | 31,00 | 31,1 | 21,0 | 31,2 |
| 12 | 19,05 | 22,14 +/-0,08 | 26,70 | 32,5 | 14,5 | 29,7 | 34,0 | 21,0 | 32,70 | 34,2 | 22,8 | 32,9 |
| 14 | 22,23 | 25,30 +/-0,08 | 29,80 | 35,5 | 15,5 | 30,5 | 35,0 | 20,0 | 34,25 | 38,5 | 25,3 | 34,5 |
| 16 | 25,40 | 28,48 +/-0,08 | 33,00 | 37,0 | 16,1 | 30,9 | 38,0 | 21,5 | 35,80 | 40,7 | 26,1 | 36,1 |
| 18 | 28,58 | 31,65 +/-0,08 | 36,20 | 40,0 | 16,5 | 31,1 | 42,0 | 24,0 | 37,40 | 43,7 | 27,6 | 37,6 |
| 20 | 31,75 | 34,83 +/-0,08 | 39,40 | 43,5 | 17,0 | 32,1 | 45,0 | 25,5 | 38,90 | 46,4 | 29,1 | 39,1 |
| 22 | 34,93 | 37,98 +/-0,08 | 42,50 | 48,5 | 18,5 | 35,3 | 54,5 | 31,0 | 42,00 | 50,0 | 31,0 | 42,0 |
| 24 | 38,10 | 41,15 +/-0,08 | 45,70 | 52,1 | 21,9 | 38,1 | 58,0 | 33,0 | 46,00 | 53,5 | 33,0 | 46,0 |

| | | | | | |
|------------------|---------------------------|-------------|-----------------|---|--|
| DRAWN | K.WINCZURA | DATE | 05/12/2014 |  | 3RD ANGLE PROJECTION NOT TO SCALE |
| CHECKED | | DATE | 05/12/2014 | | |
| APPROVED | K.SHEPPARD | DATE | 15/12/2014 |  | UNLESS OTHERWISE SPECIFIED ALL DIMENSIONS IN MILLIMETRES |
| APPROVED | H.SMITH | DATE | 01/10/2015 | | |
| REVISIONS | | | | | |
| LTR | DESCRIPTION | DATE | APPROVED | | |
| E | REVISED PER ECO-15-002399 | 18/02/2015 | | | |
| F | REVISED PER ECO-15-013980 | 01/10/2015 | H.SMITH | | |

TITLE:

TINEL LOCK BACKSHELL

ASSY USED ON:

BS9522 PATT 105 / PATT 603



TE CAGE CODE: 06090
POLAMCO/TE CAGE CODE: U5792

TE CONNECTIVITY - POLAMCO LTD RESERVES THE RIGHT TO AMEND THIS DRAWING AND THE INFORMATION SET FORTH HEREON AT ANY TIME. USERS SHOULD INDEPENDENTLY EVALUATE THE SUITABILITY OF THE PRODUCT FOR THEIR APPLICATION.

| | | |
|--------------------|---------------------|------------|
| DRAWING NO: | DRAWING REV: | SHT |
| TXR76 | F | 3 |