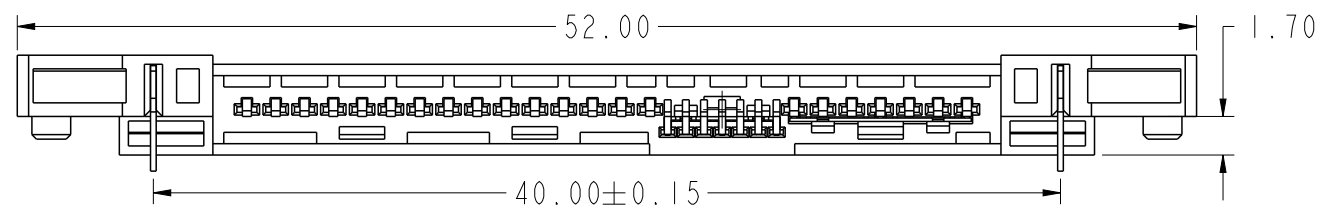
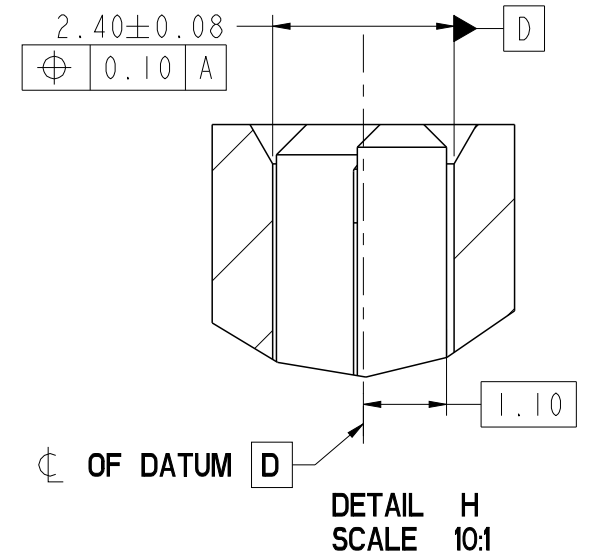
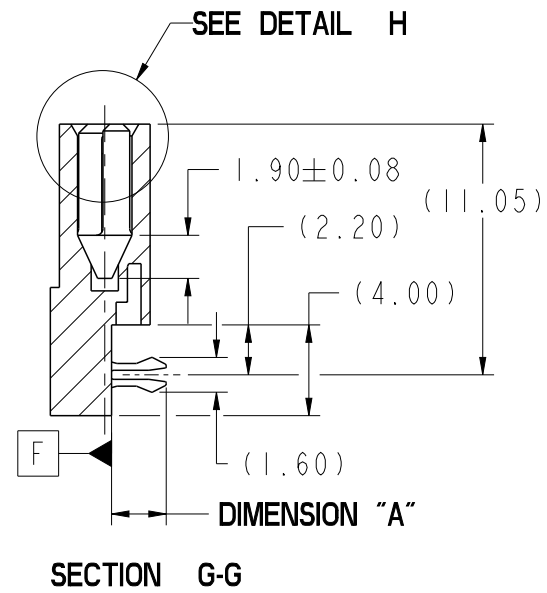
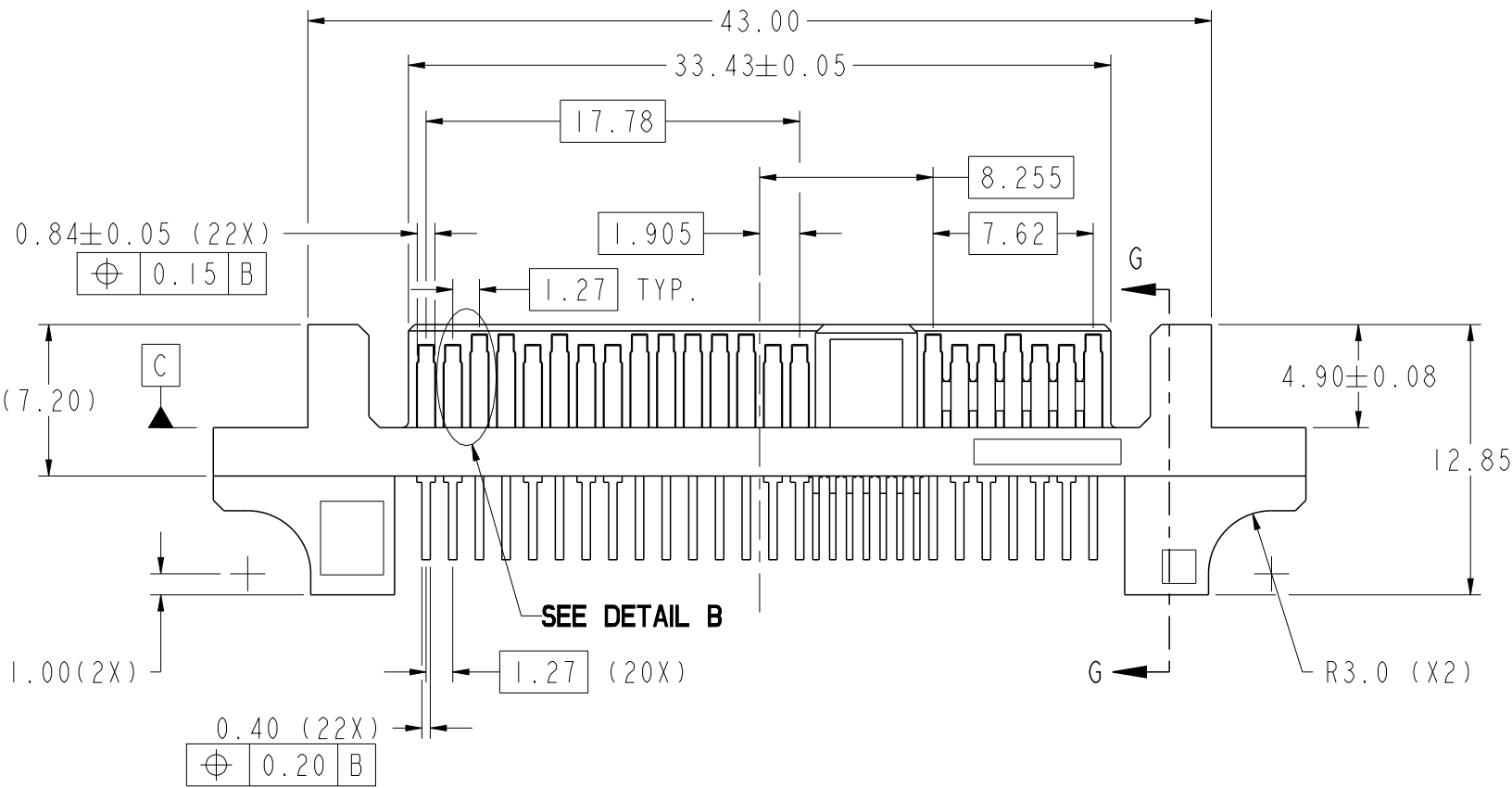
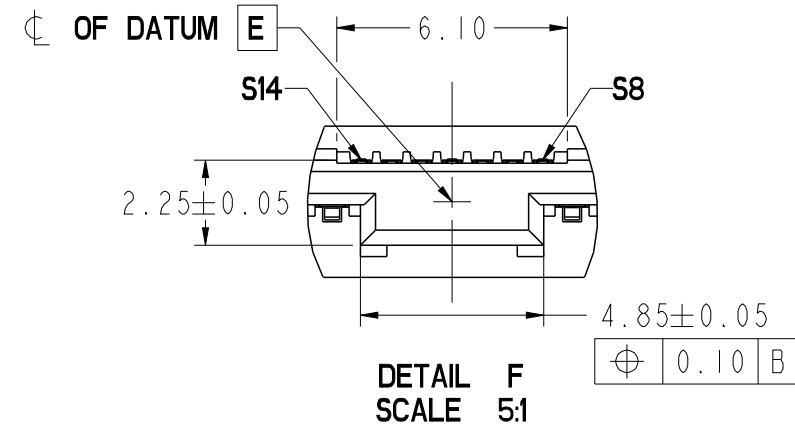
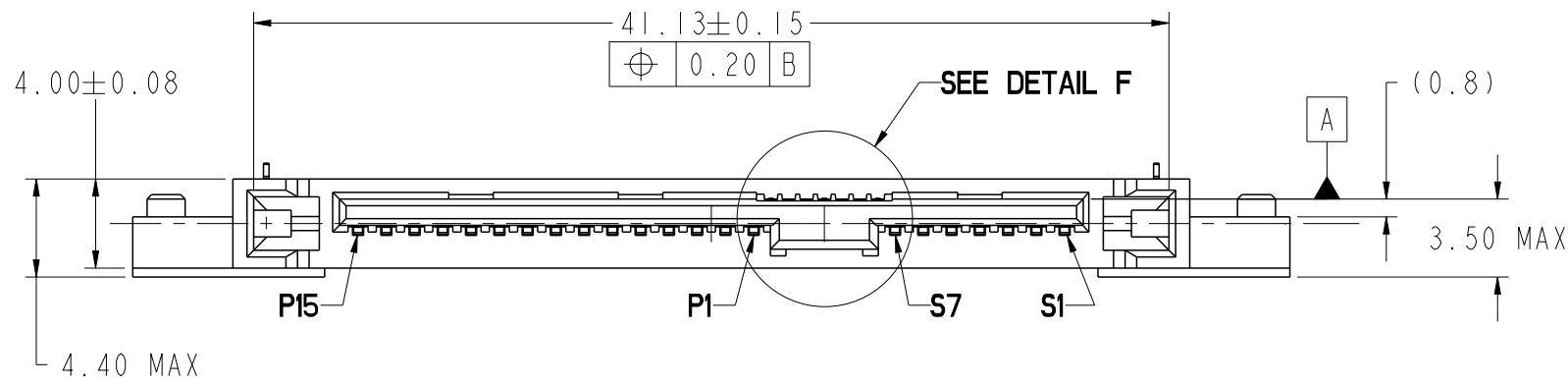
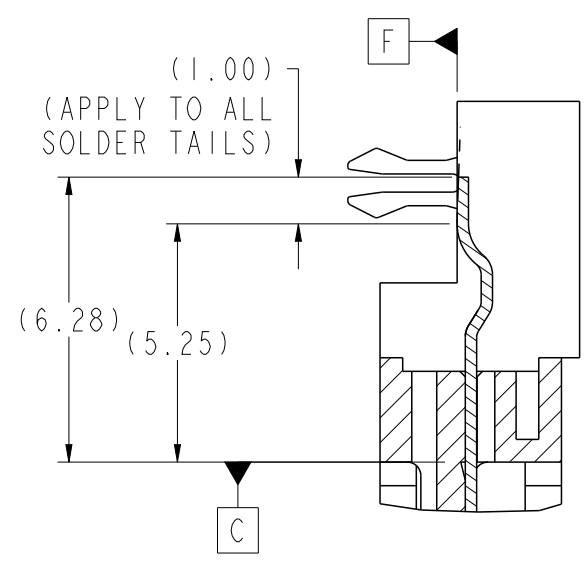
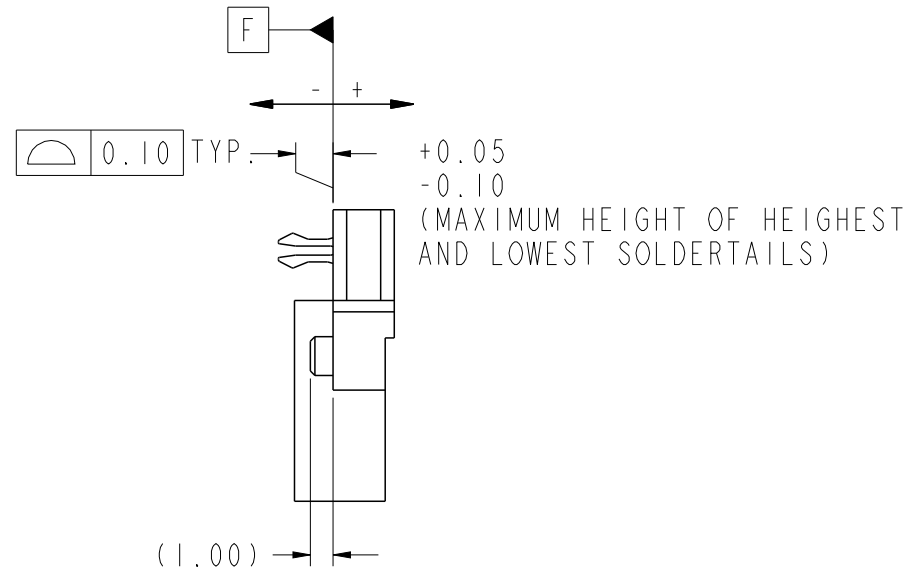
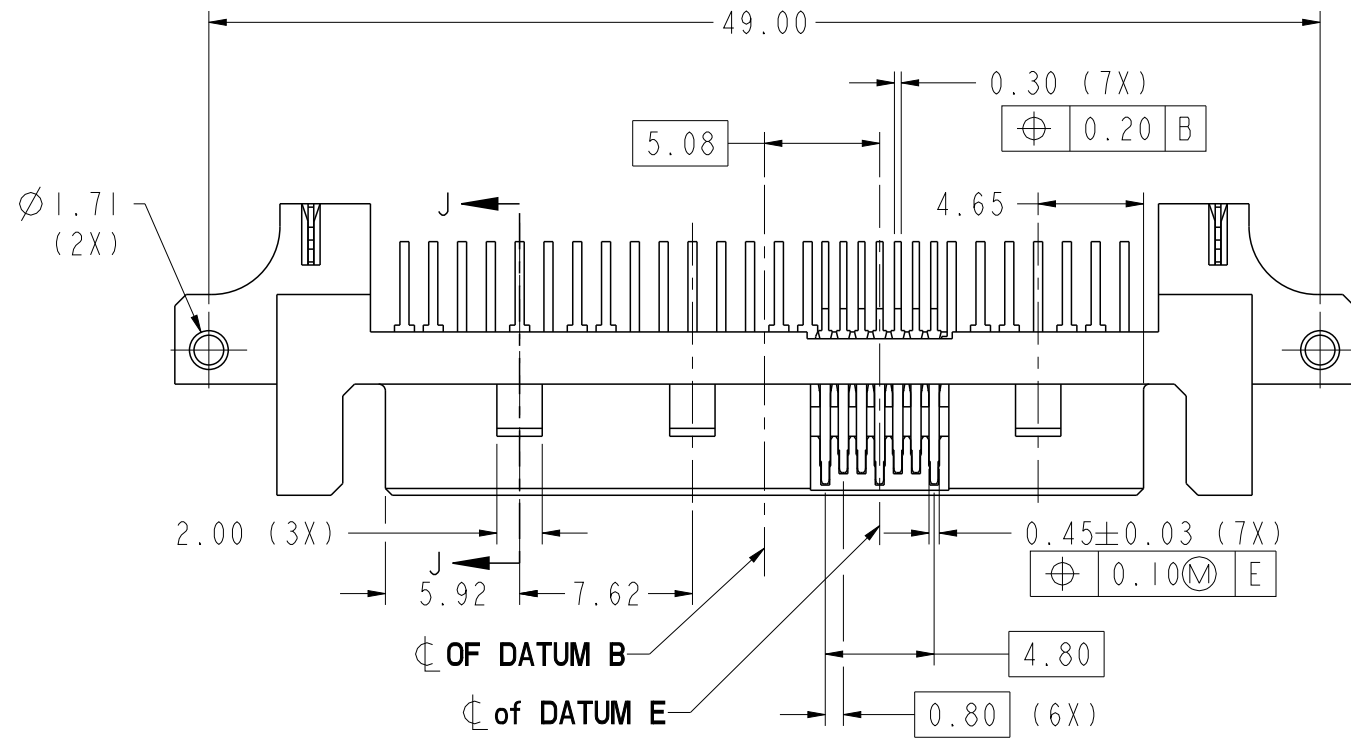


PRODUCT NUMBER
REFER TO TABLE

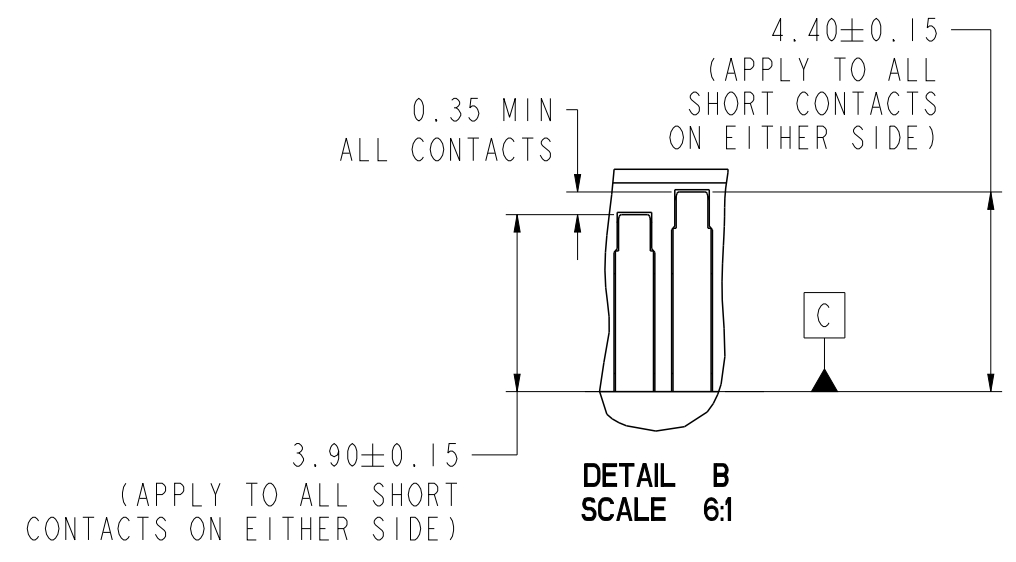


spec ref	dr	Suzie Nah	2015/01/26	projection	MM	size	A3	scale	3:1
tolerance std	eng	Siew-Leong Lim	2016/07/19			ecn no	ELX-M-24521-1	rel level	Released
ASME Y14.5	chr	Kok-Ong Tee	2016/07/20						
	appr	Koon-Poh Tay	2016/07/26	12G SAS PLUG R/A SMT			dwg no	10129900	rev
surface	linear	0.X	±0.25	TYPE ASSY			B		
		0.XX	±0.15	cat. no.			Product - Customer Drw		
		0.XXX	±0.050				sheet 1 of 4		
ASME Y14.5	angular	0°	±2°						

PRODUCT NUMBER
REFER TO TABLE



SECTION J-J
SCALE 6:1

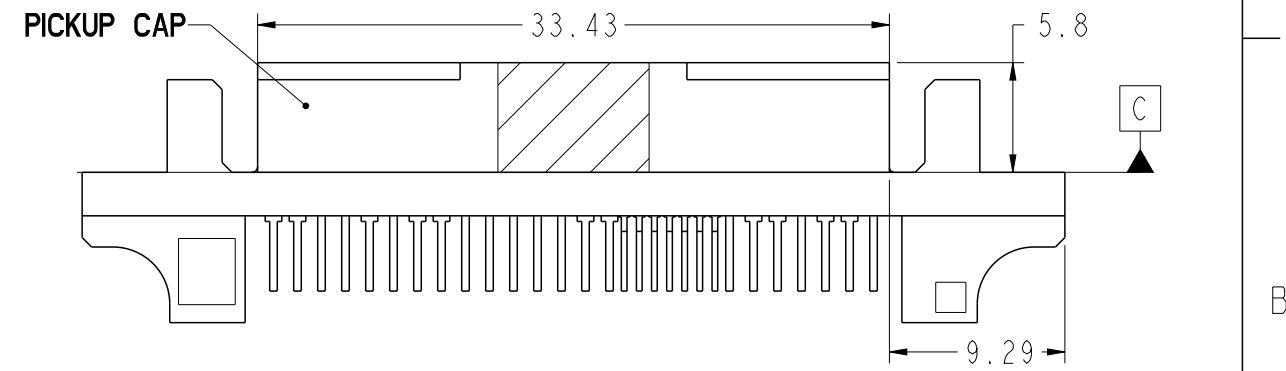


DETAIL B
SCALE 6:1

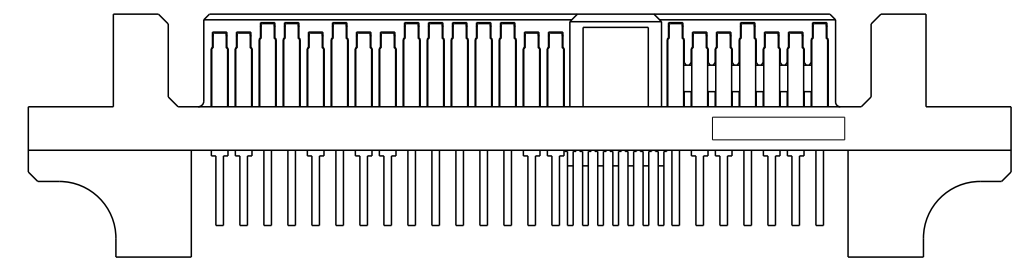
Amphenol FCI
© 2016 AFCI

spec ref	dr	Suzie Nah	2015/01/26	projection	MM	size	A3	scale	3:1
tolerance std	eng	Siew-Leong Lim	2016/07/19			ecn no	ELX-M-24521-1	rel level	Released
ASME Y14.5	chr	Kok-Ong Tee	2016/07/20						
TOLERANCES UNLESS OTHERWISE SPECIFIED	appr	Koon-Poh Tay	2016/07/26	product family		rel level		Released	
surface	linear	0.X	±0.25	Amphenol FCI 12G SAS PLUG R/A SMT TYPE ASSY		dwg no 10129900		rev B	
		0.XX	±0.15						
		0.XXX	±0.050						
ASME Y14.5	angular	0°	±2°	cat. no.		Product - Customer Drw		sheet 2 of 4	

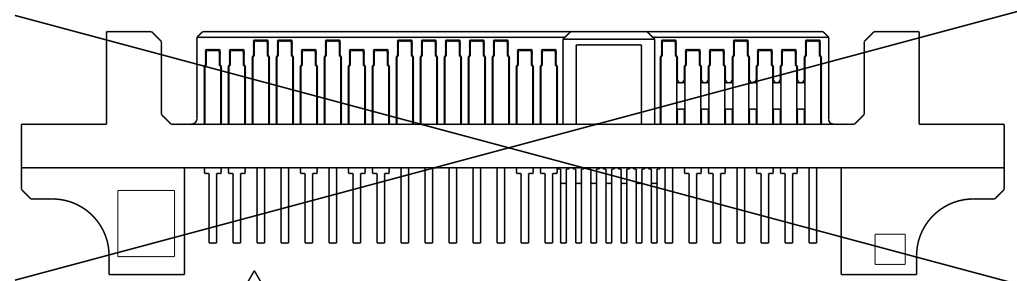
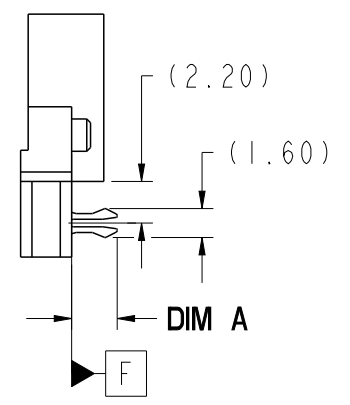
PRODUCT NUMBER	DIMENSION "A"	PCB THICKNESS	WITH ADHESIVE TAPE	WITH PICK-UP CAP	PACKAGING
10129900-001LF	2.40±0.15	1.60	NO		TRAY
10129900-002LF	2.00±0.15	1.20			TAPE & REEL
10129900-001TRLF	2.40±0.15	1.60			TAPE & REEL
10129900-001C-TRLF	2.40±0.15	1.60	N/A	10061860-003	TAPE & REEL
10129900-003C-TRLF	2.40±0.15	1.60	10113739-001	10061860-003	TAPE & REEL
10129900-004C-TRLF	2.00±0.15	1.20			



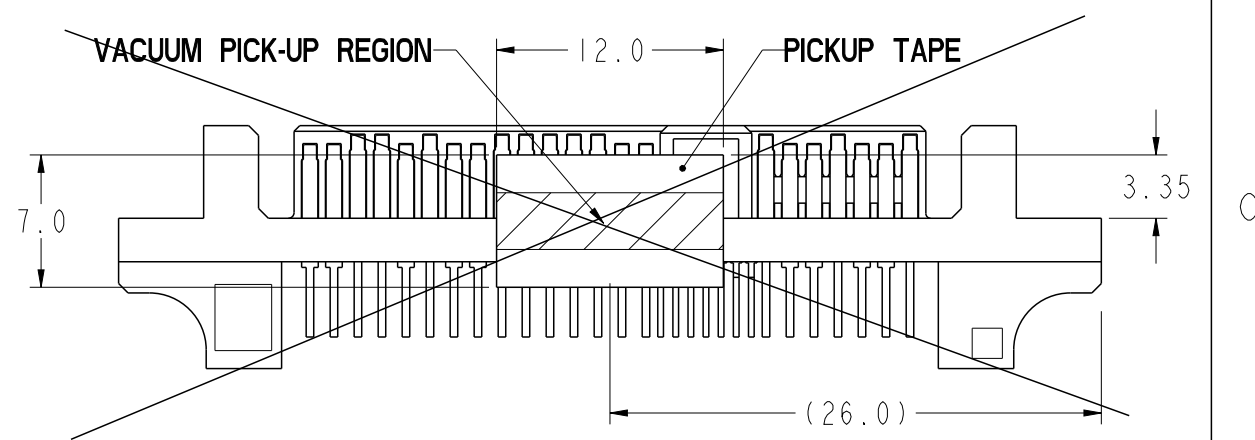
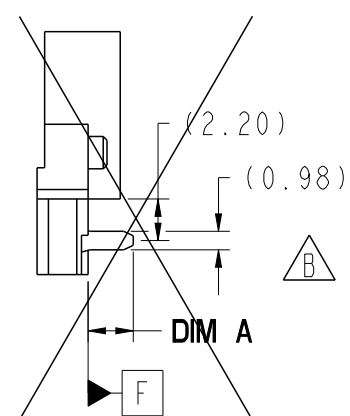
PLACEMENT OF PICKUP CAP



10129900-001/002



10129900-003/004

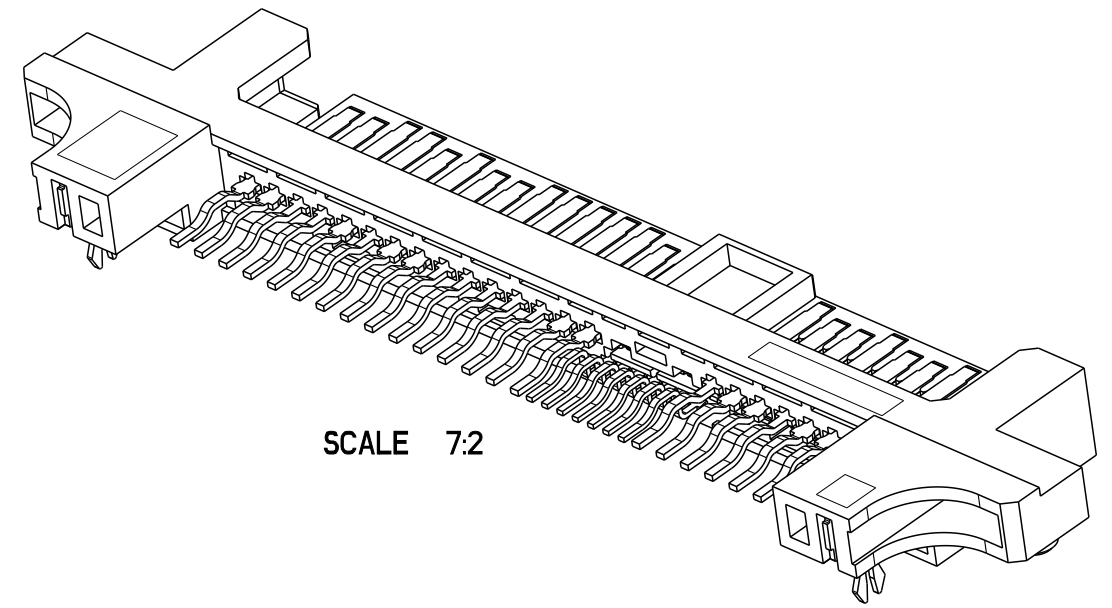
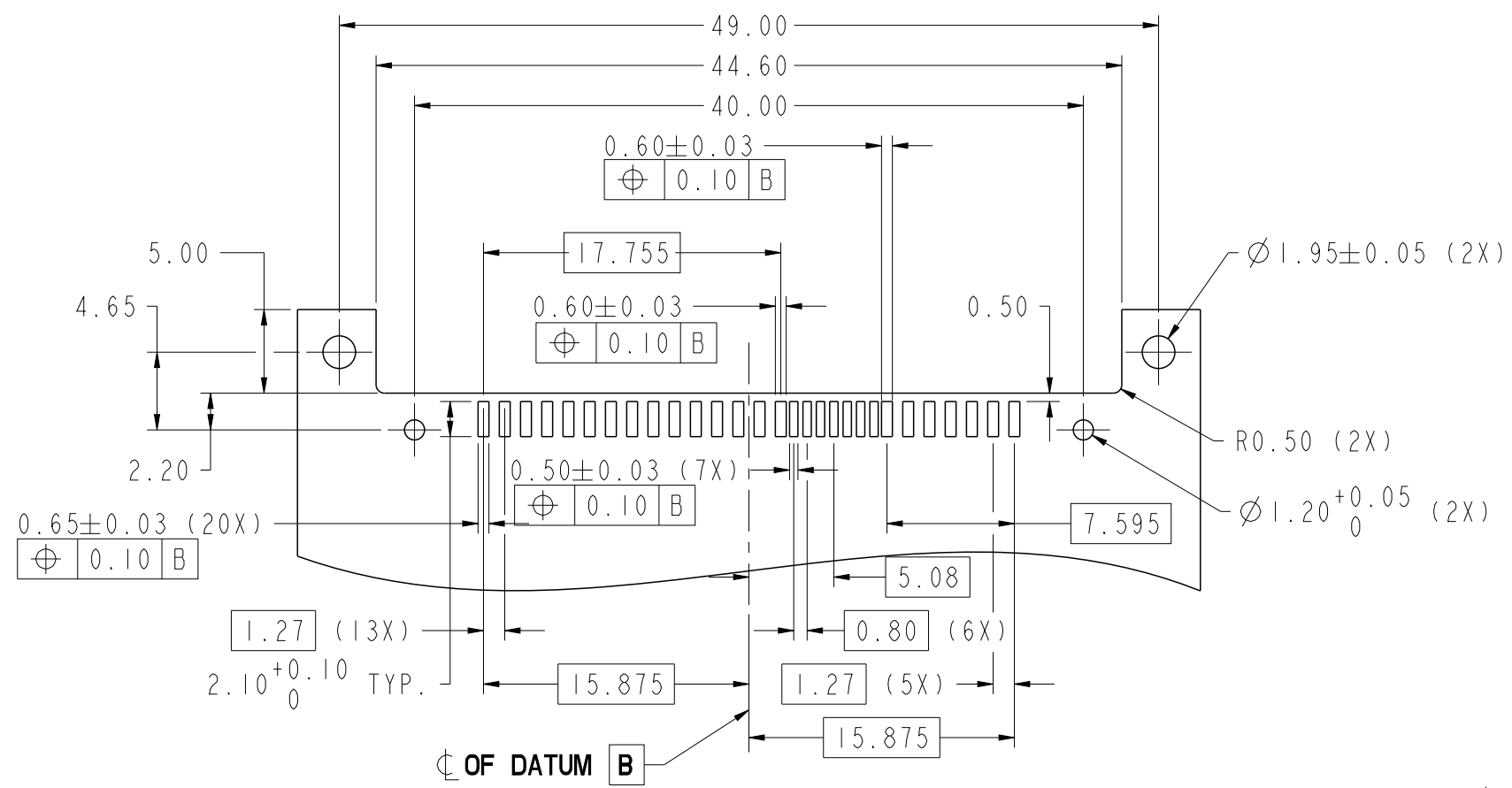


PLACEMENT OF PICKUP TAPE

Amphenol FCI

© 2016 AFCI

spec ref	dr	Suzie Nah	2015/01/26	projection	MM	size	A3	scale	3:1												
tolerance std	eng	Siew-Leong Lim	2016/07/19		← →	ecn no	ELX-M-24521-1														
ASME Y14.5	chr	Kok-Ong Tee	2016/07/20			rel level	Released														
surface	appr	Koon-Poh Tay	2016/07/26	product family	12G SAS PLUG R/A SMT		dwg no	10129900	rev												
ASME Y14.5	<table border="1"> <tr> <td>linear</td> <td>0.X</td> <td>±0.25</td> </tr> <tr> <td></td> <td>0.XX</td> <td>±0.15</td> </tr> <tr> <td></td> <td>0.XXX</td> <td>±0.050</td> </tr> <tr> <td>angular</td> <td>0°</td> <td>±2°</td> </tr> </table>		linear	0.X	±0.25		0.XX	±0.15		0.XXX	±0.050	angular	0°	±2°	Amphenol FCI		TYPE ASSY		sheet 3 of 4		B
linear	0.X	±0.25																			
	0.XX	±0.15																			
	0.XXX	±0.050																			
angular	0°	±2°																			
cat. no.				Product - Customer Drw			sheet 3 of 4														

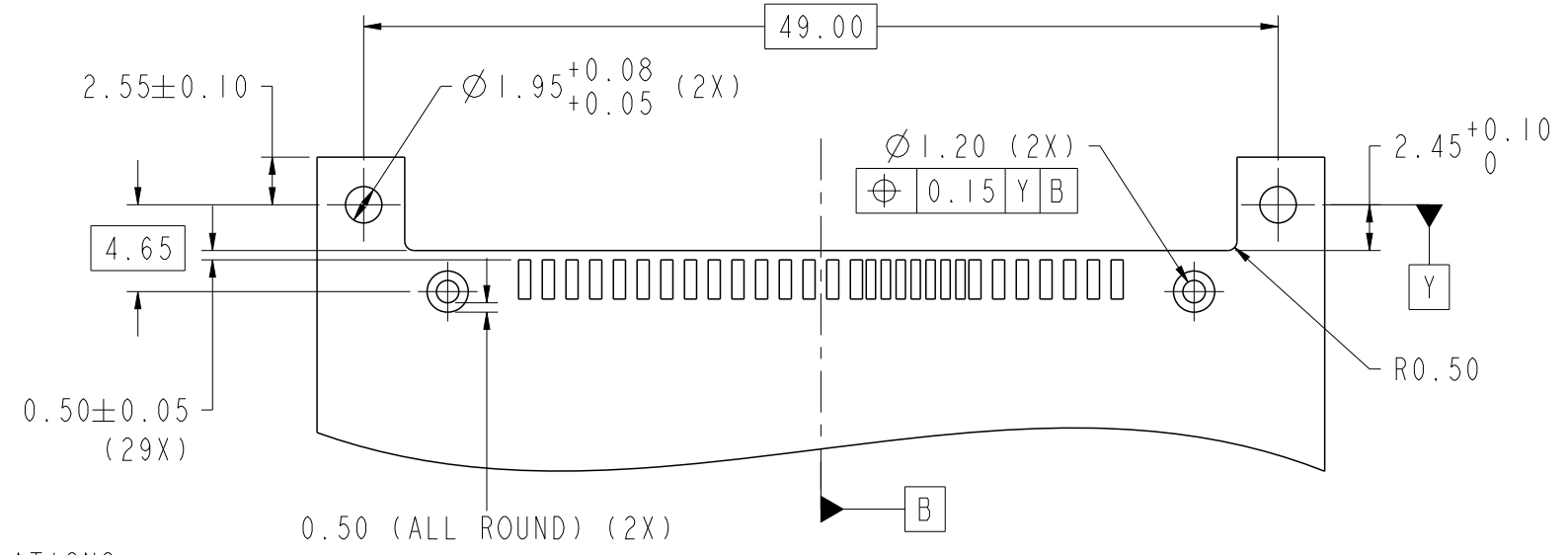


SCALE 7:2

NOTES:

1. MATERIAL:
HOUSING: LCP UL94V-0
CONTACT & HOLD DOWN: COPPER ALLOY
2. FINISH:
CONTACT: 1.27um Min. NICKEL UNDERPLATE OVERALL,
1.91um Min. 100% MATTE TIN(LEAD-FREE) ON SOLDER TAIL,
0.76um Min. GOLD ON CONTACT AREA
HOLD DOWN: 2.54um Min. 100% MATTE TIN(LEAD-FREE) OVER
1.27um Min. NICKEL UNDERPLATE OVERALL
3. PRODUCT SPEC: GS-12-282
4. PACKAGING SPEC: GS-14-952(TRAY); GS-14-1038(TAPE & REEL)
5. THIS PRODUCT MEETS EUROPEAN UNION DIRECTIVES AND OTHER COUNTRY REGULATIONS AS DESCRIBED IN GS-22-008
6. THE HOUSING WILL WITHSTAND EXPOSURE TO 260°C PEAK TEMPERATURE FOR 10 SECONDS IN A CONVECTION, INFRA-RED OR VAPOR PHASE REFLOW OVEN
7. HOUSING WILL WITHSTAND EXPOSURE TO 260°C PEAK FOR 10 SECONDS IN A CONVECTION, INFRA-RED OR VAPOR PHASE REFLOW OVEN
8. A SYMBOL $\triangle B$ WILL BE NEXT TO ANY DIMENSION, VIEW OR NOTE WHICH HAS BEEN MODIFIED WITH THE CURRENT DRAWING REVISION

RECOMMENDED PAD LAYOUT FOR 10129900-001/-002
SCALE 5:2



RECOMMENDED PAD LAYOUT FOR 10129900-003/-004
(GENERAL TOLERANCE: ±0.08)
SCALE 5:2

spec ref		dr	Suzie Nah	2015/01/26	projection	MM	size	A3	scale	3:1
tolerance std		eng	Siew-Leong Lim	2016/07/19			ecn no	ELX-M-24521-1	rel level	Released
ASME Y14.5		chr	Kok-Ong Tee	2016/07/20						
TOLERANCES UNLESS OTHERWISE SPECIFIED		appr	Koon-Poh Tay	2016/07/26	product family		dwg no		10129900	
surface	linear	0.X		±0.25	Amphenol FCI		12G SAS PLUG R/A SMT TYPE ASSY		rev	B
		0.XX		±0.15						
0.XXX		±0.050								
ASME Y14.5	angular	0°		±2°	cat. no.		Product - Customer Drw		sheet 4 of 4	