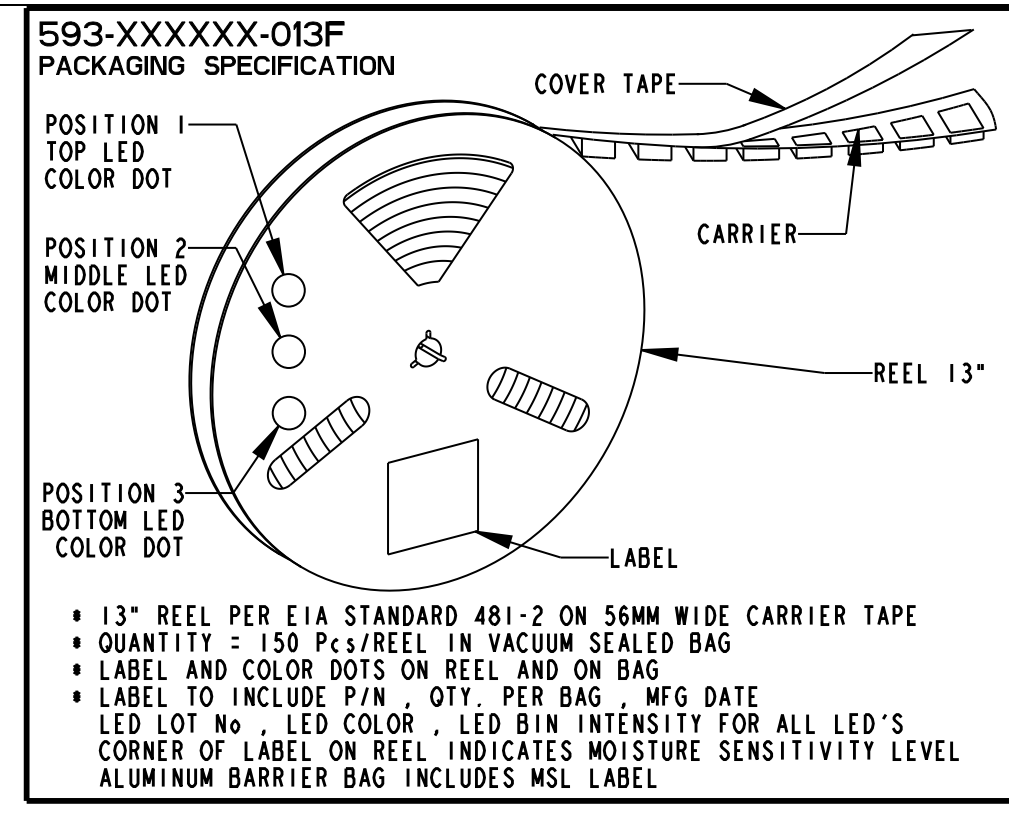
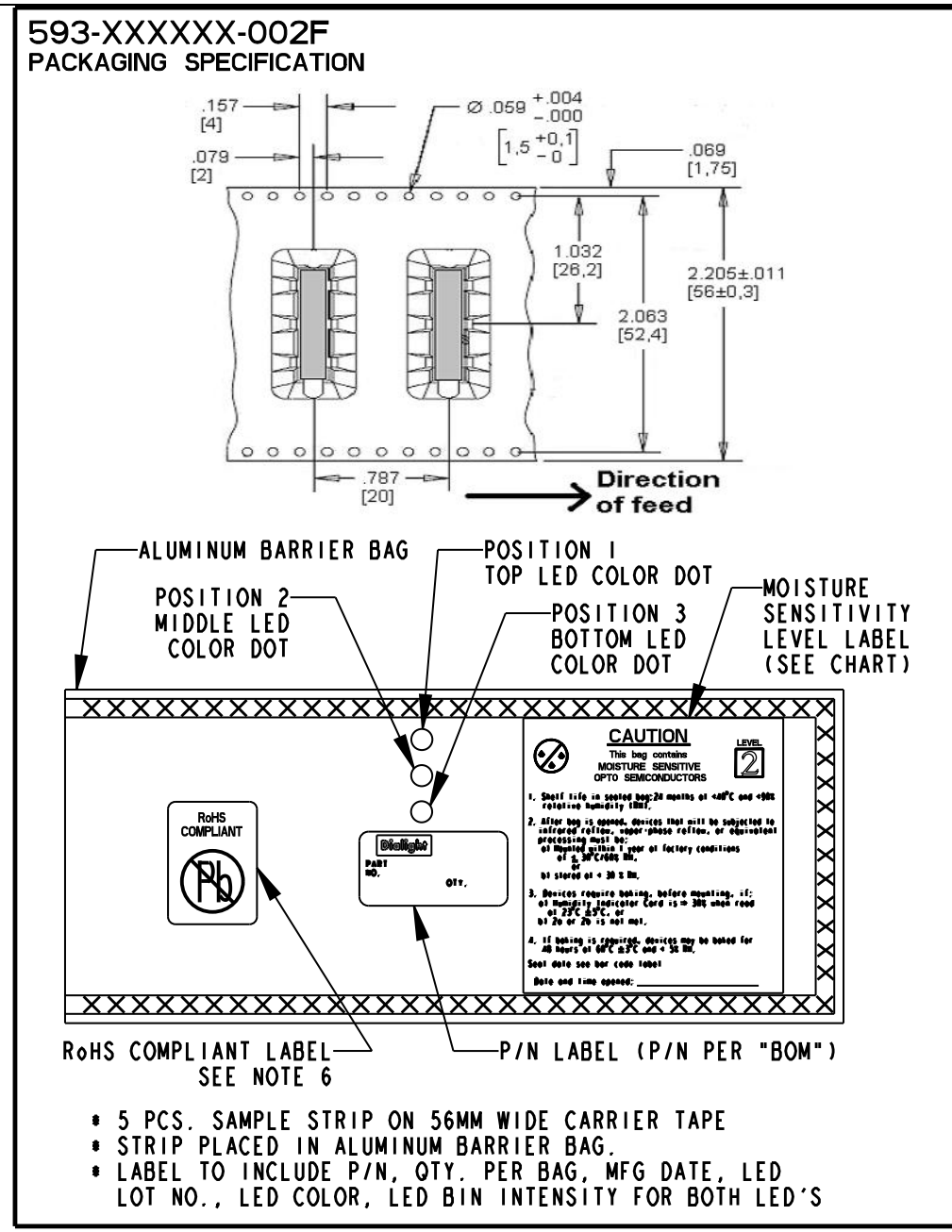


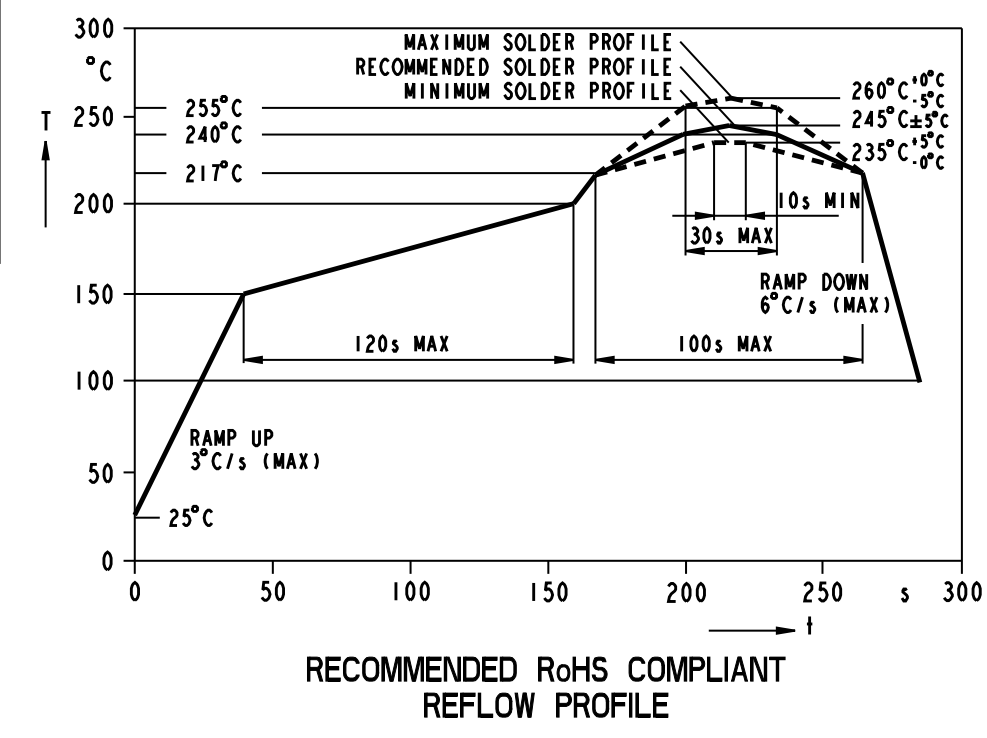
PART NUMBER	POSITION 1	POSITION 2	POSITION 3	MSL	PAD LAYOUT REFERENCE
593-202020-002F				2	FIG. 1
593-202020-013F	RED	RED	RED	2	FIG. 1
593-202024-002F	RED	RED	YELLOW	2	FIG. 1
593-202024-013F	RED	GREEN	YELLOW	2	FIG. 1
593-202324-002F				2	FIG. 1
593-202324-013F	RED	GREEN	YELLOW	2	FIG. 1
593-203120-002F	RED	YELLOW/GREEN	RED	2	FIG. 1 & FIG. 2
593-212121-002F	AlGaAs RED	AlGaAs RED	AlGaAs RED	2	FIG. 1
593-212121-013F	AlGaAs RED	AlGaAs RED	AlGaAs RED	2	FIG. 1
593-212130-002F	AlGaAs RED	AlGaAs RED	SUPER-RED/GREEN	2	FIG. 1 & FIG. 2
593-212130-013F	AlGaAs RED	AlGaAs RED	SUPER-RED/GREEN	2	FIG. 1 & FIG. 2
593-222221-002F	HI. INT. GREEN	HI. INT. GREEN	AlGaAs RED	2	FIG. 1
593-222221-013F	HI. INT. GREEN	HI. INT. GREEN	AlGaAs RED	2	FIG. 1
593-222222-002F	HI. INT. GREEN	HI. INT. GREEN	HI. INT. GREEN	2	FIG. 1
593-222222-013F	HI. INT. GREEN	HI. INT. GREEN	HI. INT. GREEN	2	FIG. 1
593-232323-002F	GREEN	GREEN	GREEN	2	FIG. 1
593-232323-013F	GREEN	GREEN	GREEN	2	FIG. 1
593-232424-002F	GREEN	YELLOW	YELLOW	2	FIG. 1
593-232424-013F	GREEN	YELLOW	YELLOW	2	FIG. 1
593-232627-002F	GREEN	BLUE	AllnGaP YELLOW	2	FIG. 1
593-232627-013F	GREEN	BLUE	AllnGaP YELLOW	2	FIG. 1
593-242320-002F	YELLOW	GREEN	RED	2	FIG. 1
593-242320-013F	YELLOW	GREEN	RED	2	FIG. 1
593-242424-002F	YELLOW	YELLOW	YELLOW	2	FIG. 1
593-242424-013F	YELLOW	YELLOW	YELLOW	2	FIG. 1
593-262626-002F	BLUE	BLUE	BLUE	2	FIG. 1
593-262626-013F	BLUE	BLUE	BLUE	2	FIG. 1
593-272129-002F	AllnGaP YELLOW	AlGaAs RED	InGaN GREEN	2a	FIG. 1
593-272129-013F	AllnGaP YELLOW	AlGaAs RED	InGaN GREEN	2a	FIG. 1
593-272727-002F	AllnGaP YELLOW	AllnGaP YELLOW	AllnGaP YELLOW	2	FIG. 1
593-272727-013F	AllnGaP YELLOW	AllnGaP YELLOW	AllnGaP YELLOW	2	FIG. 1
593-282828-002F	WHITE	WHITE	WHITE	2	FIG. 1
593-282828-013F	WHITE	WHITE	WHITE	2	FIG. 1
593-292929-002F	InGaN GREEN	InGaN GREEN	InGaN GREEN	2a	FIG. 1
593-292929-013F	InGaN GREEN	InGaN GREEN	InGaN GREEN	2a	FIG. 1
593-303030-002F	SUPER-RED/GREEN	SUPER-RED/GREEN	SUPER-RED/GREEN	2	FIG. 2
593-303030-013F	SUPER-RED/GREEN	SUPER-RED/GREEN	SUPER-RED/GREEN	2	FIG. 2
593-313131-002F	YELLOW/GREEN	YELLOW/GREEN	YELLOW/GREEN	2	FIG. 2
593-313131-013F	YELLOW/GREEN	YELLOW/GREEN	YELLOW/GREEN	2	FIG. 2
593-323232-002F	SUPER-RED/YELLOW	SUPER-RED/YELLOW	SUPER-RED/YELLOW	2	FIG. 2
593-323232-013F	SUPER-RED/YELLOW	SUPER-RED/YELLOW	SUPER-RED/YELLOW	2	FIG. 2
593-353535-002F	BLUE/GREEN/RED	BLUE/GREEN/RED	BLUE/GREEN/RED	2a	FIG. 2
593-353535-013F	BLUE/GREEN/RED	BLUE/GREEN/RED	BLUE/GREEN/RED	2a	FIG. 2



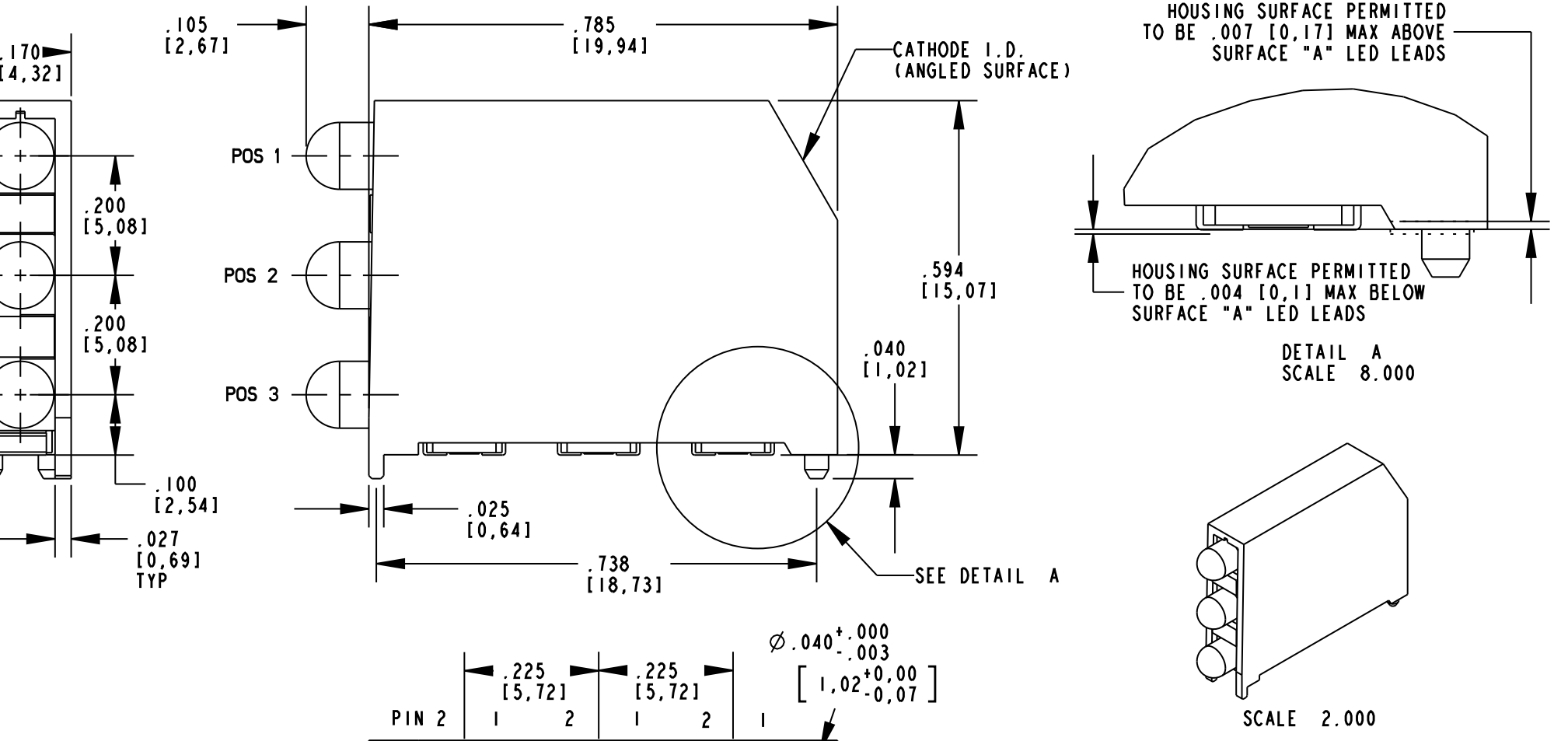
MULTI-COLOR LED PIN REFERENCES

LED COLOR	PIN 1	PIN 2	PIN 3	PIN 4
R/Y BI-COLOR	RED CATHODE	RED ANODE	YELLOW ANODE	YELLOW CATHODE
Y/G BI-COLOR	YELLOW CATHODE	YELLOW ANODE	GREEN ANODE	GREEN CATHODE
R/G BI-COLOR	RED CATHODE	RED ANODE	GREEN ANODE	GREEN CATHODE
R/G/B TRI-COLOR	RED CATHODE	COMMON ANODE	GREEN CATHODE	BLUE CATHODE

REV	ECN NO	REVISIONS	DRN	CKD	APP	DATE
A		NEW RELEASE	OO	N.O.	MS	3-28-07
B		ADDED P/N'S 593-222221-002F, -013F, 593-272129-002F, -013F, 593-292929-002F, -013F, ADDED INTENSITY SPECS, ADDED PIN REFERENCES.	KLJ	N.O.	MES	3-24-08
C		ADDED P/N'S 593-242320-002F, -013F; AND 593-232424-002F, -013F; MSL FOR 593-292929-002F & 593-353535-002F WAS "2"; UPDATED SPECS; CHANGED NOTE 7.	KLJ	N.O.	MES	1-15-09
D		ADDED P/N'S 593-202324-002F, -013F.	KLJ	N.O.	MES	1-26-09
E		ADDED P/N'S 593-203120-002F, -013F.	KLJ	NO	MES	2-19-09
F		ADDED P/N'S 593-232627-002F, -013F.	AJF	KLJ	NO	7-1-09

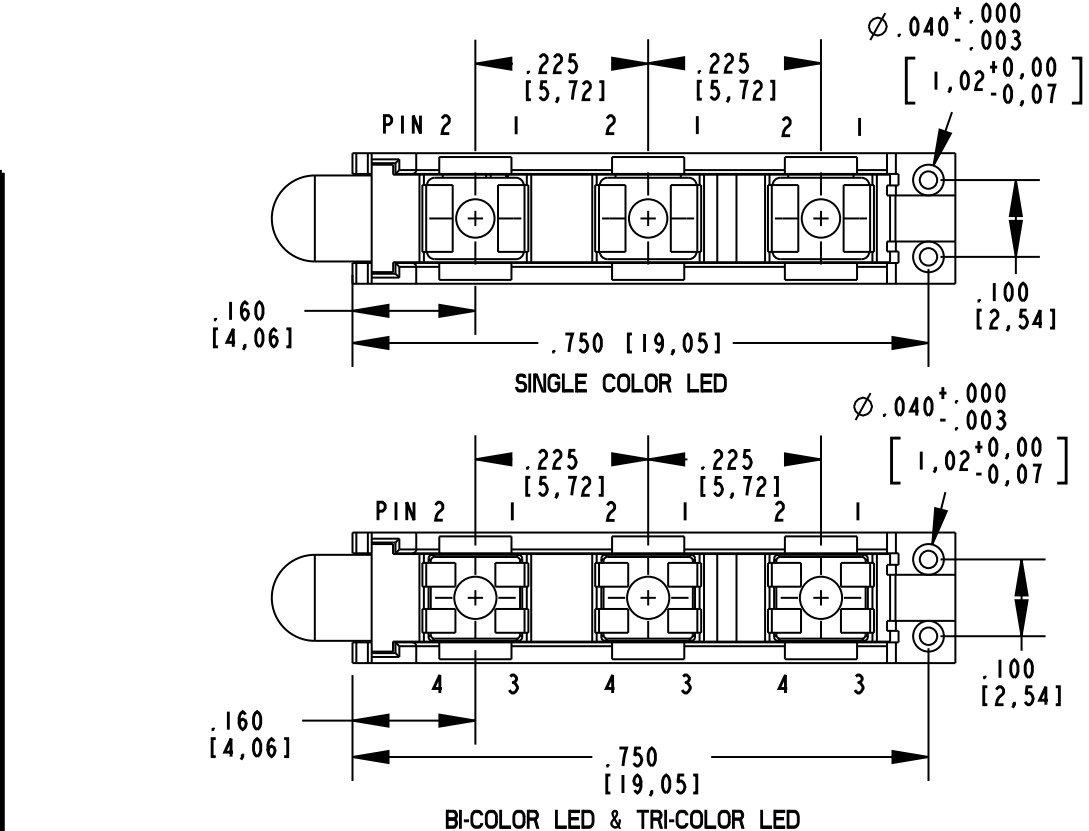
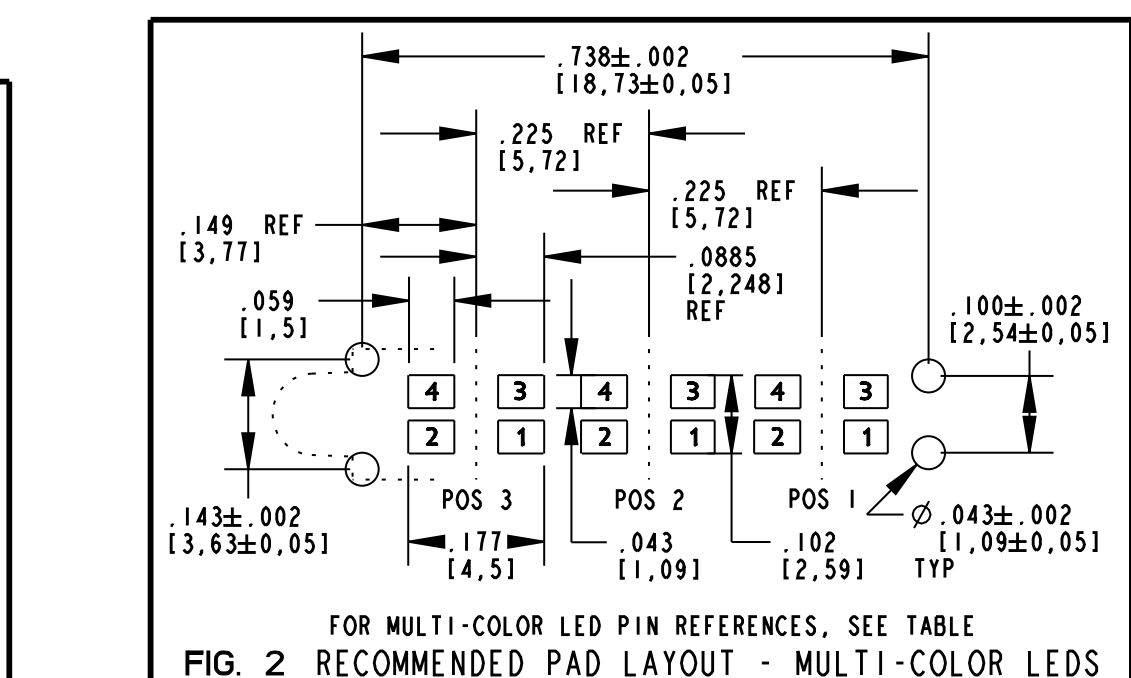
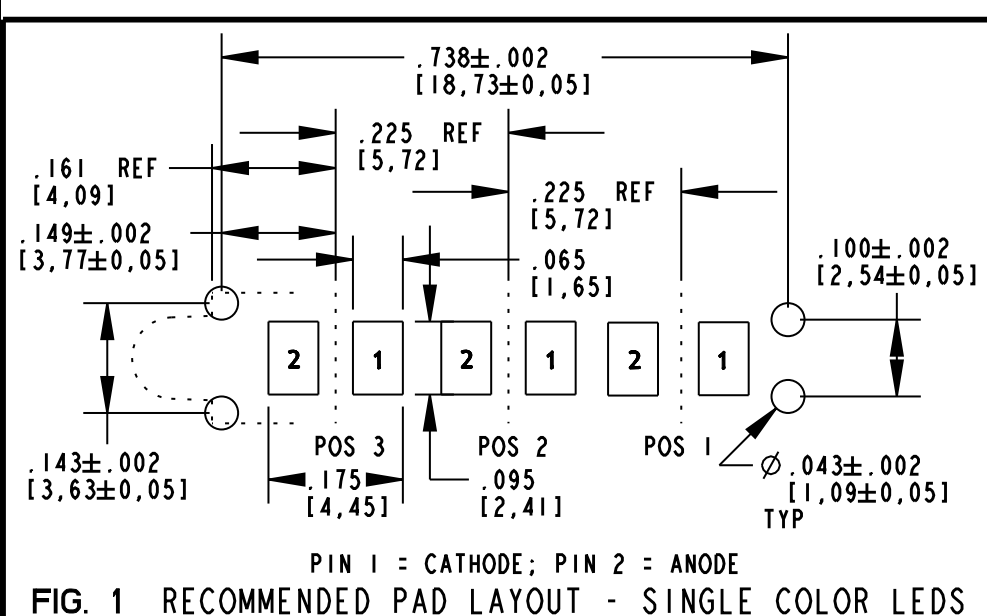


- NOTES:
- PRODUCT P/N'S WITH "F" SUFFIX ENDING ARE RoHS COMPLIANT. LED LEADS ARE PLATED TIN (Sn) WITH NICKEL (Ni) UNDERPLATE ON COPPER (Cu) LEADS.
 - STORAGE OF TAPED PARTS SHALL NOT EXCEED TWELVE (12) MONTHS AFTER WHICH RE-PACKAGING IS REQUIRED. FRONT AND REAR TERMINALS (OF EACH LED) OF THE ASSEMBLY TO BE WITHIN .005 COPLANARITY.
 - A MOISTURE SENSITIVITY LEVEL LABEL PLACED ON BAG. CHECK CHART FOR PROPER LEVEL.
 - *** CAUTION *** FOR PRODUCTS THAT ARE ESD SENSITIVE, OBSERVE PRECAUTIONS IN HANDLING ELECTROSTATIC SENSITIVE DEVICES. FOR EYE SAFETY DO NOT STARE DIRECTLY INTO THE LIGHT BEAM OF THESE LED DEVICES AT CLOSE RANGE.
 - THIS PRODUCT IS RoHS COMPLIANT. EACH BAG IS MARKED WITH RoHS COMPLIANT LABEL OR EQUIVALENT MARKINGS. LED MUST BE Pb FREE (RoHS COMPLIANT).
 - DIALIGHT PART NUMBERS: 593-XXXXXX-002F (STRIP), 593-XXXXXX-013F (REEL)



OPERATING CHARACTERISTICS AT 25°C AMBIENT

COLOR	LUMINOUS INTENSITY @ If=20mA		FORWARD VOLTAGE (V)		DOMINANT WAVELENGTH (nm)		
	TYP	TEST COND	TYP	MAX	MIN	TYP	MAX
RED	6 mcd	If = 10mA	2.0	2.5	622	628	634
AlGaAs RED	29 mcd	If = 10mA	1.75	2.5	—	645	—
HI. INT. GREEN	16 mcd	If = 10mA	2.0	2.5	564	570	576
GREEN	11 mcd	If = 10mA	2.0	2.5	564	570	576
YELLOW	11 mcd	If = 10mA	2.0	2.5	580	587	595
BLUE	7 mcd	If = 10mA	3.5	4.2	462	465	468
AllnGaP YELLOW	80 mcd	If = 10mA	2.0	2.4	580	587	595
WHITE	85 mcd	If = 10mA	3.1	3.7	—	X .33	—
InGaN GREEN	150 mcd	If = 20mA	3.4	4.05	515	525	535
RED/GREEN BI-COLOR	RED: 7 mcd GREEN: 10 mcd	If = 10mA	2.0	2.5	622	628	634
YELLOW/GREEN BI-COLOR	YELLOW: 6 mcd GREEN: 10 mcd	If = 10mA	2.0	2.5	584	590	596
RED/YELLOW BI-COLOR	RED: 45 mcd YELLOW: 70 mcd	If = 20mA	2.0	2.3	627	633	639
RED/GRN/BLUE TRI-COLOR	RED: 35 mcd GREEN: 70 mcd BLUE: 20 mcd	If = 20mA	1.9	2.4	—	626	—



ATTENTION: OBSERVE PRECAUTIONS FOR HANDLING ELECTROSTATIC SENSITIVE DEVICES

THIS DRAWING AND THE CONTENTS HEREIN ARE CONFIDENTIAL AND THE SOLE PROPERTY OF DIALIGHT. REPRODUCTION OF THIS DRAWING OR CONSTRUCTION OF ANY PARTS WITHIN THIS DRAWING ARE FORBIDDEN WITHOUT THE WRITTEN CONSENT OF DIALIGHT.

SCALE: 4.000, DRAWING NUMBER: C-17270, REV: F

TOLERANCES: UNLESS OTHERWISE SPECIFIED
 FRACTIONS: ±1/64
 DECIMALS (.XX): ±.02
 DECIMALS (.XXX): ±.015

ANGLES: ±3°

FINISH: -

FSCM 83330

TITLE: TRI-LEVEL PRISM
 MATERIAL: RoHS COMPLIANT

Dialight
 1501 ROUTE 34 SOUTH
 FARMINGDALE, NJ 07727

SHEET 1 OF 1 FAMILY TABLE: