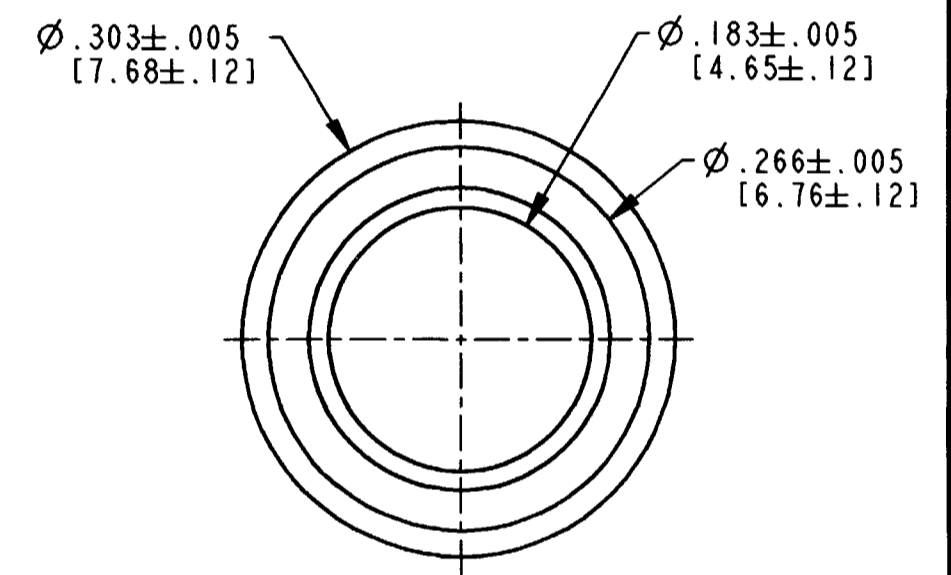
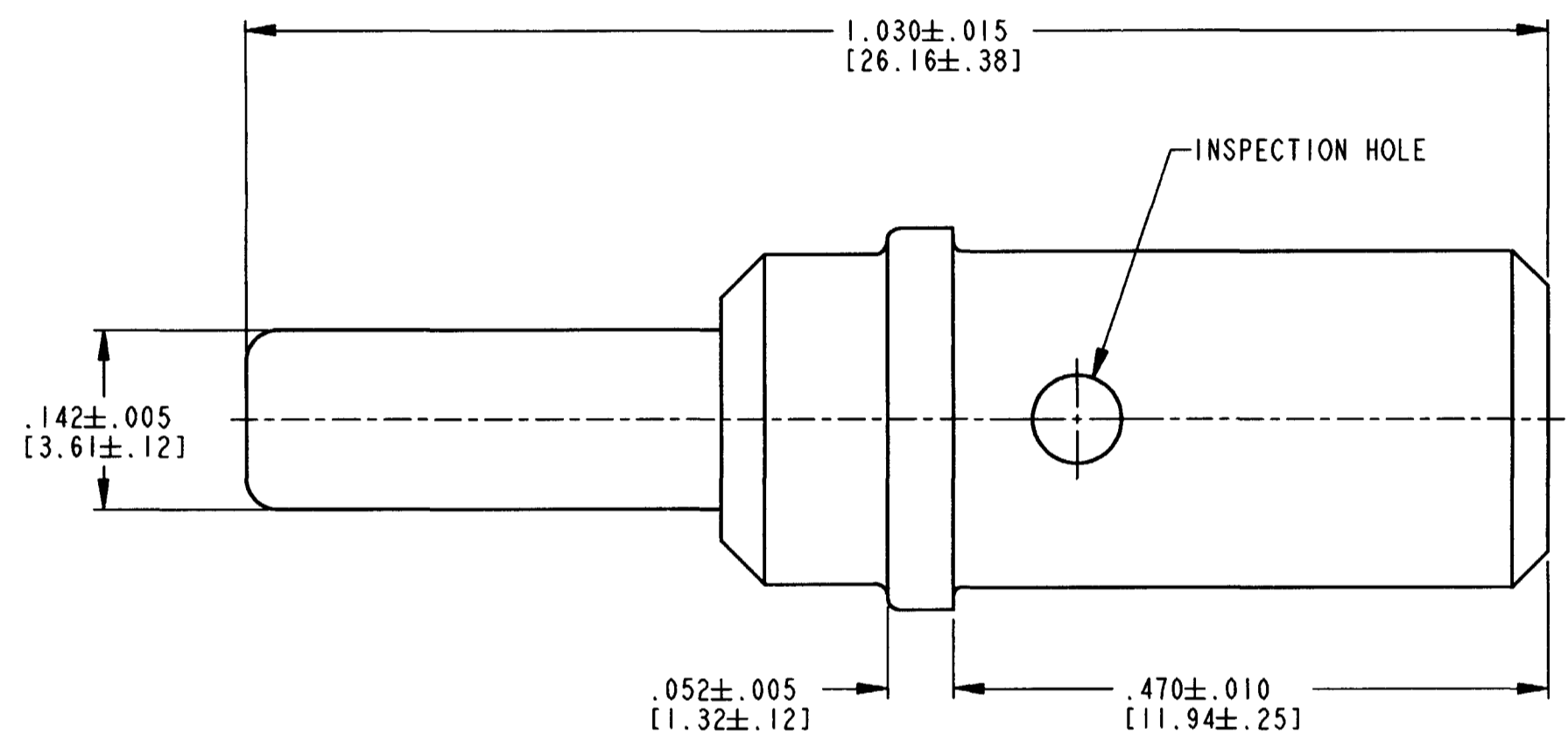


REV
NC 0460-204-08**

| REVISIONS | | | |
|-----------|-----------------------------|---------|------------|
| SYM | DESCRIPTION | DATE | APPROVED |
| NC | NEW RELEASE PER E.O. P17009 | 12-8-00 | <i>RSR</i> |
| | | | |
| | | | |



- 4. FOR CONTACT PERFORMANCE AND APPLICATION CHARACTERISTICS SEE DRAWING 0425-015-0000.
- 3. THIS CONTACT MAY BE CRIMPED WITH HDP-400 POWER CRIMPER OR HDT-04-08 HAND TOOL. SEE DRAWING 0425-205-0000 FOR APPLICABLE WIRE SIZE AND CRIMP INFORMATION.
- 2. WHEN ** = 141: PLATING IS NICKEL.
- 1. DIMENSIONS ARE IN INCHES [mm].

NOTES: UNLESS OTHERWISE SPECIFIED

| SIGNATURE & DATE | |
|------------------|--------------------------|
| DR | <i>D. MEYER</i> 11/29/00 |
| CHK | <i>Spand</i> 12-6-00 |
| PE | <i>D. Meyer</i> 11/30/00 |
| APPD | <i>R. Reed</i> 12-8-00 |
| SCALE | NONE WT |

CONTACT PIN
SIZE 8

ENVELOPE

| | |
|---|-----------------------|
| CP | MATL. CODE |
| The Deutsch Company DEUTSCH I. P. D. 3850 INDUSTRIAL AVE. HEMET, CALIF. 92545 | |
| B 0460-204-08** | |
| DWG SIZE | CODE 11139 SHEET OF |