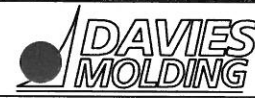


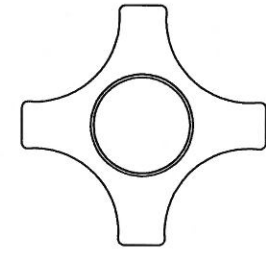
PART NAME: KNOB      SCALE: 1:1      DATE: 11/1/16      DR. BY JAM

THIS DRAWING IS THE PROPERTY OF DAVIES MOLDING COMPANY, IS SUBMITTED SOLELY AS A DESIGN OR ENGINEERING PROJECT. WE ACCEPT NO RESPONSIBILITY WHATSOEVER FOR THE PRACTICAL APPLICATION OF THE PIECES MADE TO THIS DESIGN.

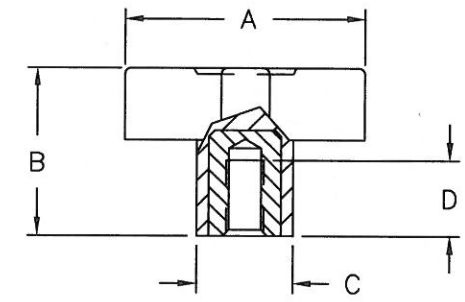


DESIGNERS & MANUFACTURERS OF KNOBS, HANDLES, CASES & CUSTOM PLASTIC COMPONENTS

P/N 2810AG-AX

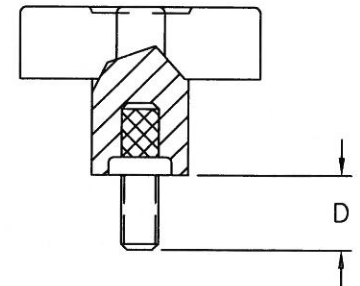


	THREAD	A	B	C	D
2810AT	M5 X 0.8	32	22	12	10
2810AU	M6 X 1	32	22	12	12



THREADED INTERNAL INSERT

	THREAD	A	B	C	D
2810AV	M5 X 0.8	32	22	12	10
2810AW	M5 X 0.8	32	22	12	20
2810AX	M6 X 1	32	22	12	20
2810AG	M6 X 1	32	22	12	30



THREADED STUD

KNOB MATERIAL: NYLON  
COLOR: BLACK

INSERT MATERIAL: INTERNAL INSERTS ARE BRASS,  
PROJECTING STUDS ARE ZINC PLATED STEEL

TOLERANCES: UNLESS OTHERWISE SPECIFIED	DO NOT SCALE DRAWING			
	MM: X.XX ± 0.15MM X.X ± 0.4MM			
	ANG. ± 1°	CHANGES		