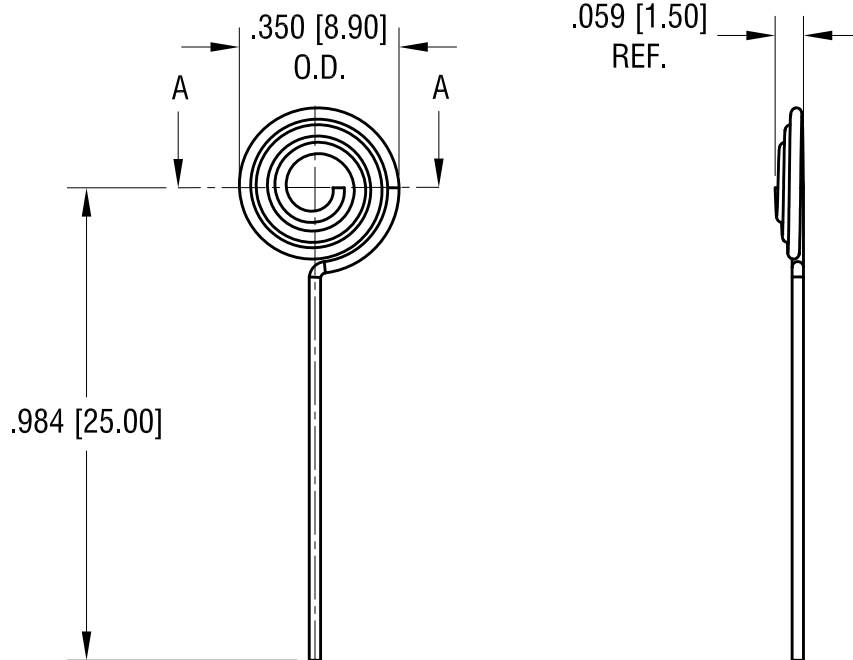


THIS DOCUMENT IS THE PROPERTY OF  
KEYSTONE ELECTRONICS CORP. AND  
SHALL NOT BE REPRODUCED, DISTRIBUTED  
OR USED AS A BASIS FOR MANUFACTURE  
WITHOUT PRIOR WRITTEN PERMISSION  
FROM KEYSTONE ELECTRONICS CORP.

ACTUAL SIZE



SECTION A-A



**KEYSTONE ELECTRONICS CORP.**

www.keyelco.com • ASTORIA, N.Y. 11105-2017 • Tel (718) 956-8900

PART NAME

SPRING CONTACT FOR 'AA'

MATERIAL

.024 [0.60] DIA. MUSIC WIRE

FINISH

NICKEL PLATE

DRN BY

NT

DATE

3.28.16

APP'D

LN

SCALE

2.5 XP

TOLERANCES

INCH [MM]

DECIMAL  $\pm .010$  [ $\pm 0.25$ ]

ANGULAR  $\pm 1^\circ$   
UNLESS OTHERWISE SPECIFIED

CODE

C

DWG NO.

242

DATE

DESCRIPTION

REV.