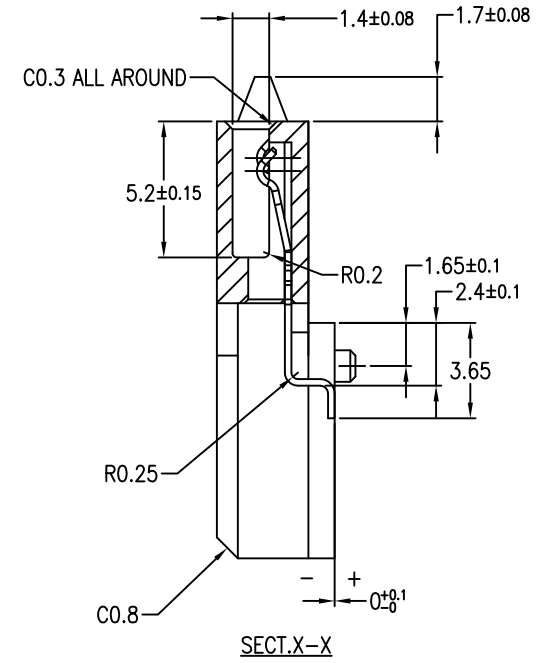
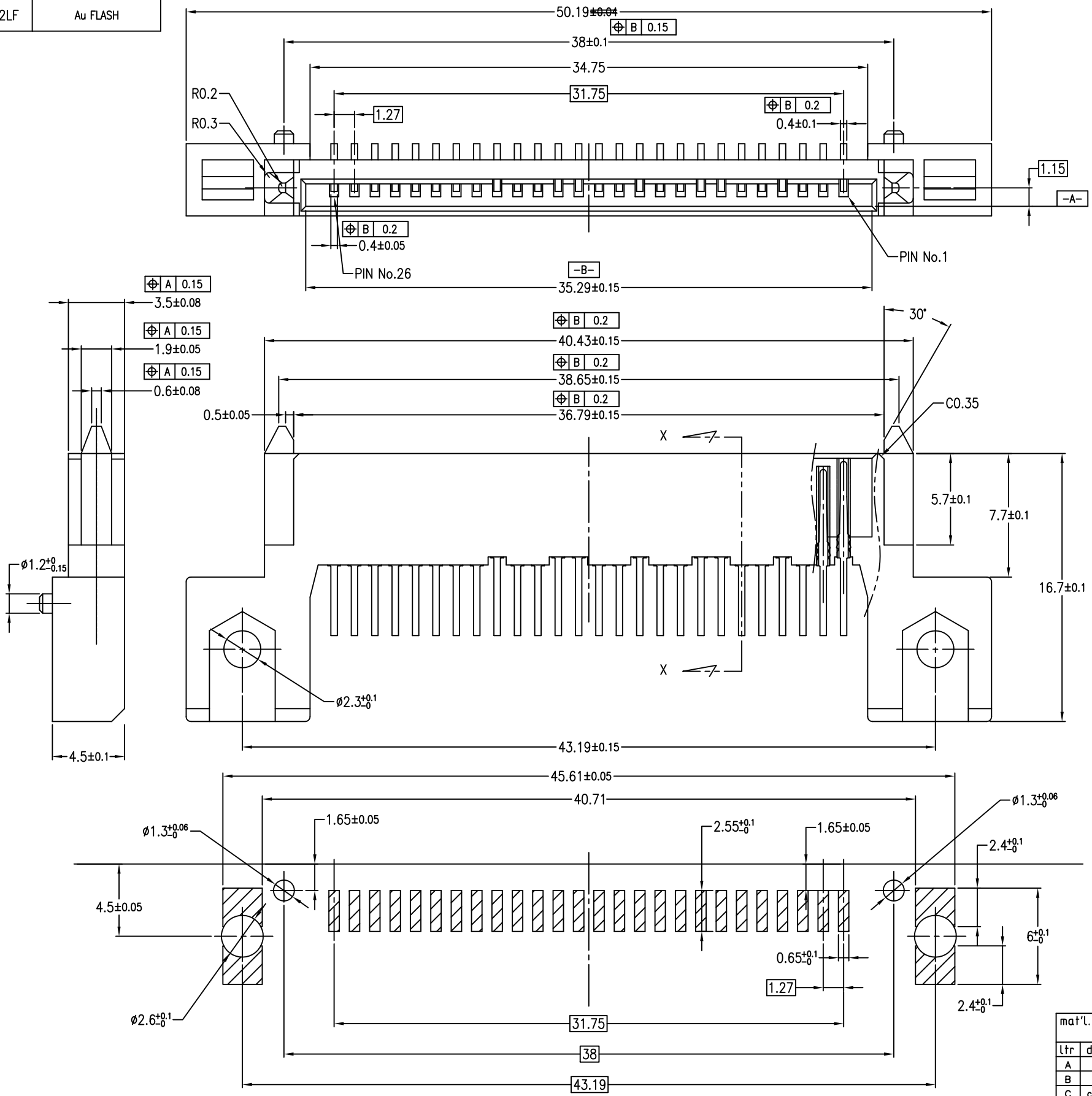


PRODUCT NO.	FINISH : Solder Tail
10033998-001	Pure Sn 1.27µm MIN.
10033998-002	Au FLASH
10033998-002LF	Au FLASH



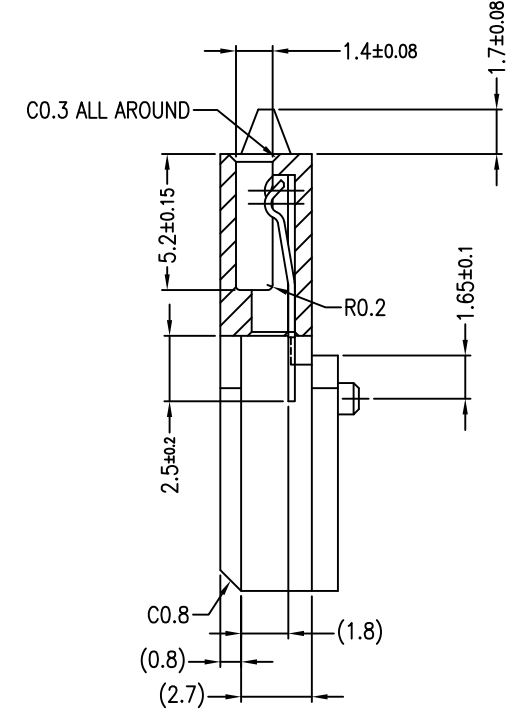
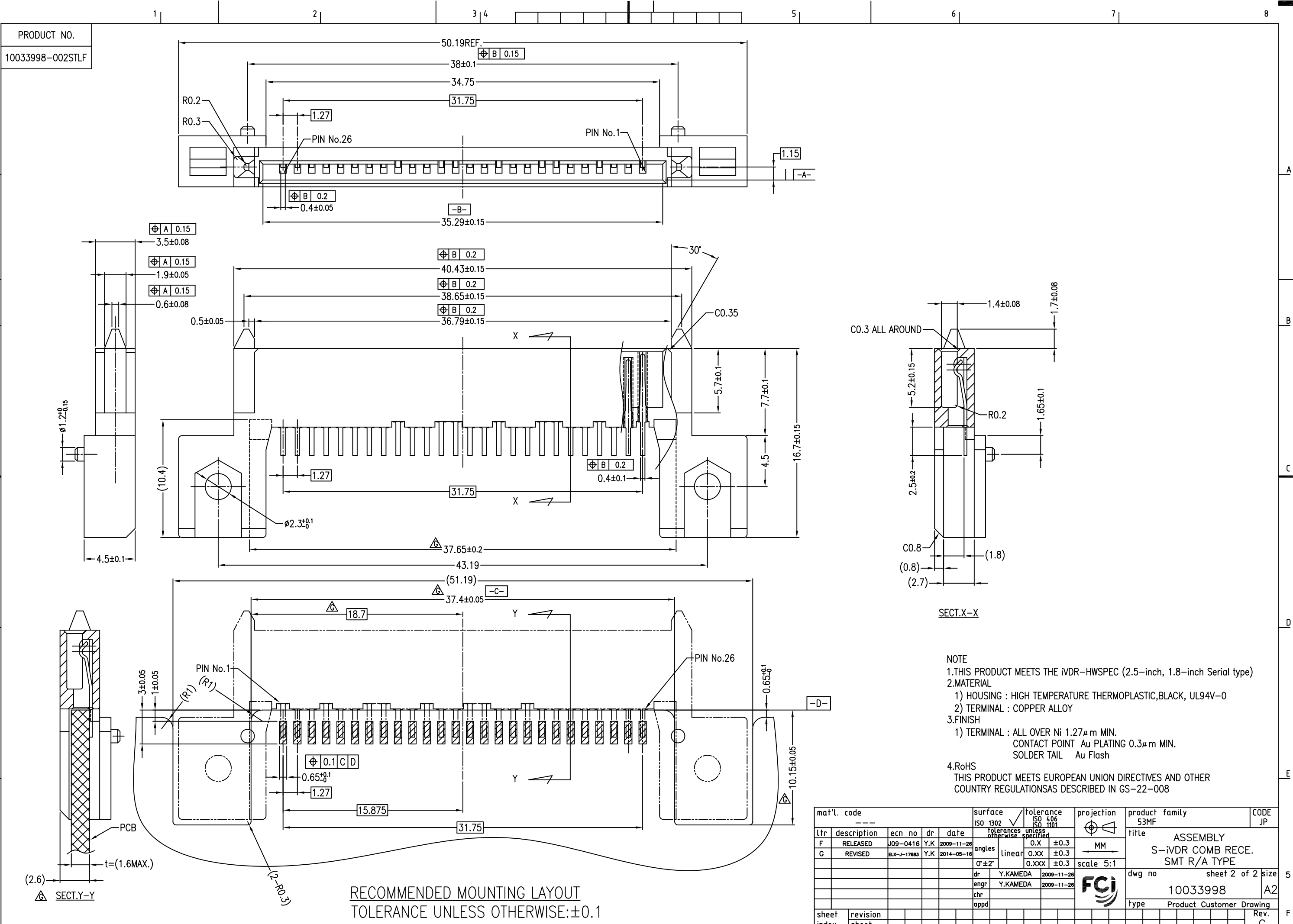
NOTE  
 1. THIS PRODUCT MEETS THE iVDR-HWSPEC (2.5-inch, 1.8-inch Serial type)  
 2. MATERIAL  
 1) HOUSING : HIGH TEMPERATURE THERMOPLASTIC, BLACK, UL94V-0  
 2) TERMINAL : COPPER ALLOY  
 3. FINISH  
 1) TERMINAL : ALL OVER Ni 1.27µm MIN.  
 CONTACT POINT Au PLATING 0.3µm MIN.  
 SOLDER TAIL SEE TABLE  
 4. RoHS  
 THIS PRODUCT MEETS EUROPEAN UNION DIRECTIVES AND OTHER  
 COUNTRY REGULATIONS AS DESCRIBED IN GS-22-008

RECOMMENDED MOUNTING LAYOUT  
 TOLERANCE UNLESS OTHERWISE: ±0.1

mat'l. code		surface		tolerance		projection	product family		CODE
----		ISO 1302		ISO 406 ISO 1101		[Symbol]	53MF		JP
A	RELEASED	J04-0286	Y.K	8/23/04	tolerances unless otherwise specified	0.X ±0.3	ASSEMBLY		
B	REVISED	J05-0107	Y.K	2/24/05	angles linear	0.XX ±0.3	S-iVDR COMB RECE.		
C	Change DWG form	J07-0041	Y.K	1/23/07	0°±2'	0.XXX ±0.3	SMT R/A TYPE		
D	Change of P/N	J07-0464	Y.K	2007-9-13	dr	Y.KAMEDA	2014-05-16		5
E	Change of P/N	J08-0253	Y.K	2008-6-12	enr	Y.KAMEDA	2014-05-16		5
F	Add sheet2	J09-0416	Y.K	2008-6-12	chr	M.MINATO	2014-05-16		5
G	Change of sheet2	ELX-J-17883	Y.K	2014-05-16	appd	N.SASAME	2014-05-16		5
sheet index	revision sheet	G	G				type Product Customer Drawing		
		1	2				Rev. G		

Copyright FCI  
 FCIconnect.com

PRODUCT NO.  
10033998-002STLF



NOTE  
1.THIS PRODUCT MEETS THE iVDR-HWSPEC (2.5-inch, 1.8-inch Serial type)  
2.MATERIAL  
1) HOUSING : HIGH TEMPERATURE THERMOPLASTIC,BLACK, UL94V-0  
2) TERMINAL : COPPER ALLOY  
3.FINISH  
1) TERMINAL : ALL OVER Ni 1.27μm MIN.  
CONTACT POINT Au PLATING 0.3μm MIN.  
SOLDER TAIL Au Flash  
4.RoHS  
THIS PRODUCT MEETS EUROPEAN UNION DIRECTIVES AND OTHER COUNTRY REGULATIONSAS DESCRIBED IN GS-22-008

mat'l. code		surface	tolerance	projection	product family		CODE
---		ISO 1302	ISO 406 ISO 1101		53MF		JP
F	RELEASED	J09-0416	Y.K 2009-11-26		ASSEMBLY		
G	REVISED	BLX-J-17683	Y.K 2014-05-16		S-iVDR COMB RECE.		
					SMT R/A TYPE		
				dr	Y.KAMEDA	2009-11-26	sheet 2 of 2
				enr	Y.KAMEDA	2009-11-26	size
				chr			5
				appd			A2
sheet	revision						type
index	sheet						Product Customer Drawing
							Rev.
							G

RECOMMENDED MOUNTING LAYOUT  
TOLERANCE UNLESS OTHERWISE:±0.1