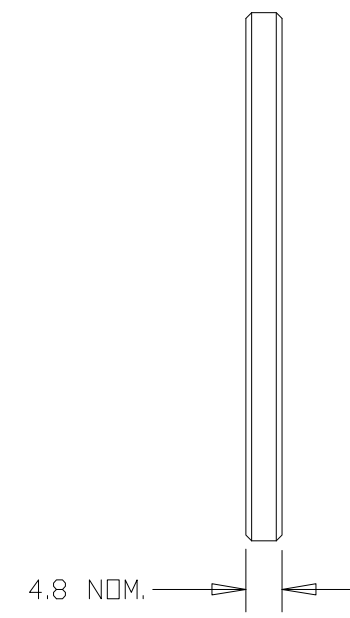
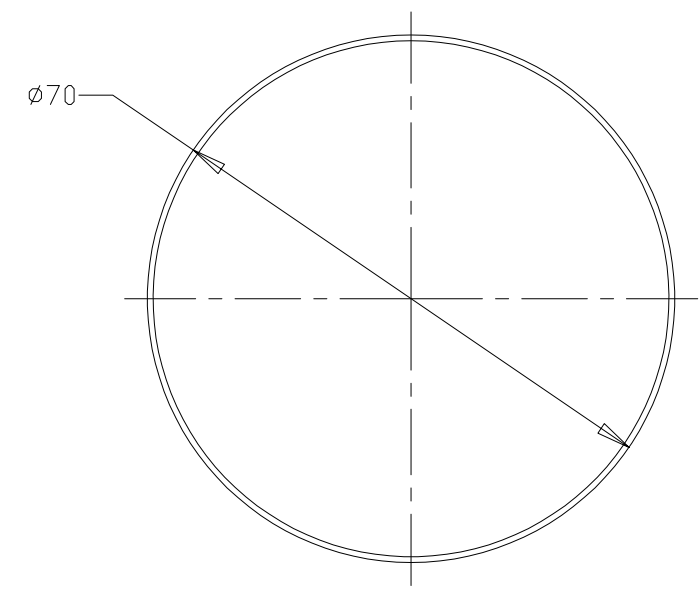

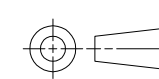


THIS DRAWING IS UNPUBLISHED. RELEASED FOR PUBLICATION 20
 © COPYRIGHT 20 BY - ALL RIGHTS RESERVED.

REVISIONS					
P	LTR	DESCRIPTION	DATE	DWN	APVD
	ND	REVISED PER ECD-15-015913	04NOV2015	AG	HS
	NF	REVISED PER ECD-16-012196	11AUG2016	PV	MP



BOM (FOR INTERNAL REF. ONLY)	PART NO.	DESCRIPTION
062996-000	118902-000	IR-550-237-FLTR-DUAL-COAT

THIS DRAWING IS A CONTROLLED DOCUMENT.		DWN P. VU 11AUG2016	 TE Connectivity IR-550-237 DARK DOUBLE COATED FILTER					
DIMENSIONS: mm		CHK N. PRZYBYLSKA 11AUG2016				NAME	SIZE	CAGE CODE
		APVD M. POPE 11AUG2016				IR-550-237	A3	-
TOLERANCES UNLESS OTHERWISE SPECIFIED:		PRODUCT SPEC				DRAWING NO	RESTRICTED TO	
0 PLC ±-		APPLICATION SPEC	©IR-550-237					
1 PLC ±-		WEIGHT	Customer Drawing	SCALE	SHEET			
2 PLC ±-			NTS	1 OF 1	REV			
3 PLC ±-					NF			
4 PLC ±-								
ANGLES ±-								
FINISH								
-								