

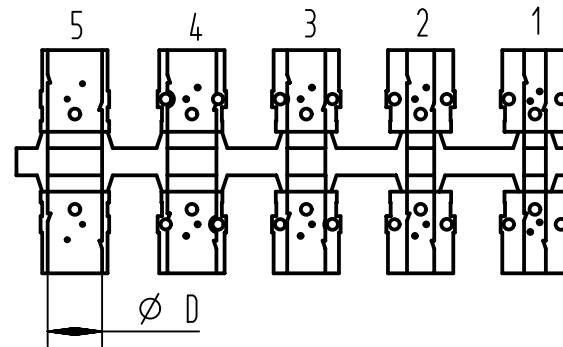
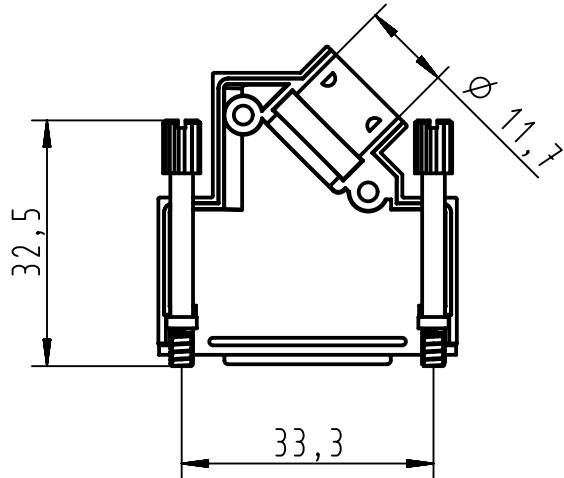
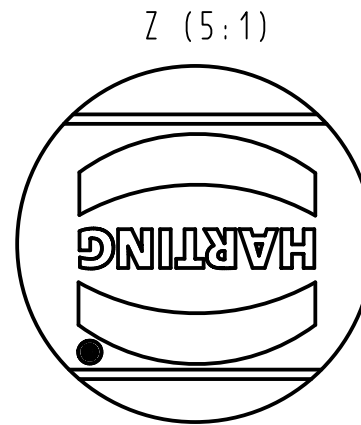
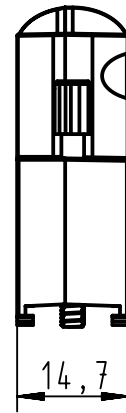
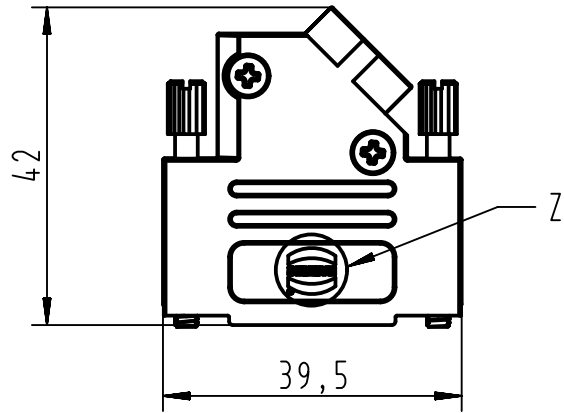
1 2 3 4 5 6

A


B

C

D



Grommet dimensions	
Number	Diameter D
1	4,0
2	5,0
3	7,0
4	9,0
5	10,2

	All rights reserved Department EC PD - FR	All Dimensions in mm Original Size DIN A4	Scale 1:1	Free size tol.	Ref.
		HARTING Electronics GmbH D-32339 Espelkamp	Created by DOUGE	Inspected by BAGDIKIAN	Standardisation KOHLER
Part number 09 67 015 0333 screw thread 4-40 UNC		Title D-Sub Hood 15P side entry full metal			Doc-Key / ECM-Nr. 100521372/UGD/001/A 500000056836
		Type TB	Number 09670150333		Rev. A Page 1/1

Mouser Electronics

Authorized Distributor

Click to View Pricing, Inventory, Delivery & Lifecycle Information:

[HARTING:](#)

[09670150333](#)