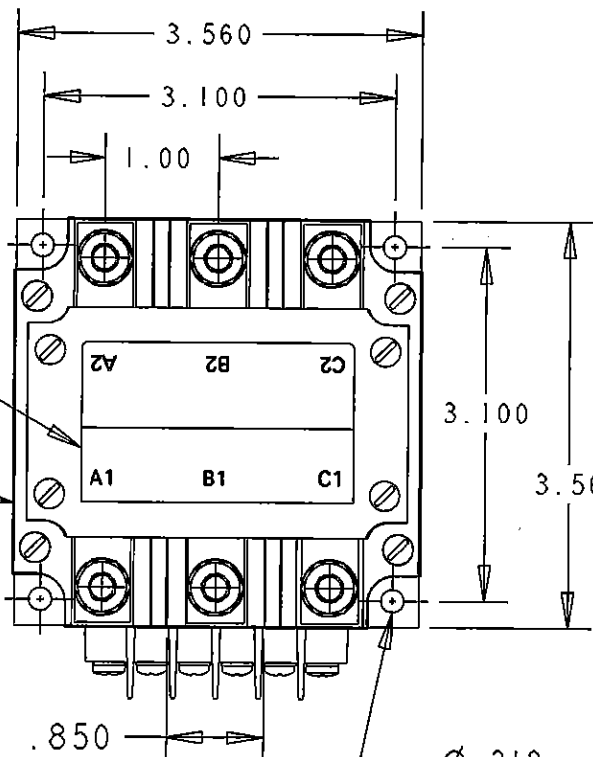


REVISIONS		RELEASED	APPROVED
REV.	DESCRIPTION	DATE	
A	MOD DIMS & ORIENTATION OF AUX TERM BLOCK	05/07/12	EPW
B	MOD DIMS; ADDED DOUBLE VOLTAGE	05/08/19	EPW
C	ADDED ENVIRONMENT/COIL SPECS; .138-32 CALLOUT	05/08/19	EPW
D	ADDED COIL CURRENT	05/09/20	EPW
E	UPDATED COIL CURRENTS	06/02/21	EPW
F	UPDATED VIEWS WITH LATEST PART REVISIONS	07/10/05	JMK
G	ADD REVISED LABELS	07/11/30	JMK
H	UPDATED VIEWS WITH LATEST REVS	08/04/24	JMK
J	ADDED .850 DIM.	12/03/16	CB



CONSTRUCTION

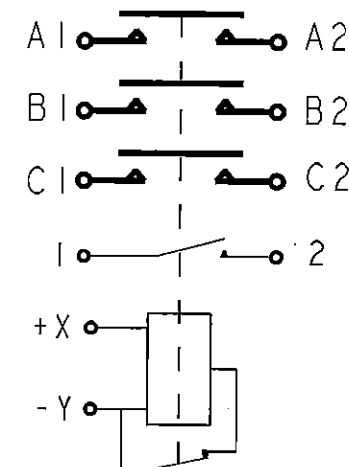
GASKET SEALED (DUST & WATER RESISTANCE)

MAIN CONTACTS  
 CONFIGURATION  
 VOLTAGE  
 FREQUENCY  
 CURRENT RES.  
 RUPTURE  
 OPERATE TIME  
 SIMULTANEITY

3PST NORMALLY OPEN (DOUBLE BREAK)  
 240/416 VAC  
 480 VAC  
 50/60/400 HZ  
 240A  
 120A  
 2400A  
 1200A  
 50mS MAX  
 5mS

COIL DATA  
 DUTY CYCLE  
 NORMAL OPER. VOLT.  
 OPER. VOLTAGE RANGE  
 MAX PICKUP VOLTAGE  
 DROPOUT VOLTAGE  
 COIL CURRENT  
 INRUSH  
 HOLD

CONTINUOUS ECONOMIZING  
 24 VDC  
 18VDC-32VDC  
 18 VDC  
 1-10 VDC  
 3.0 A MAX AT 28 VDC & 25°C  
 0.35 A MAX AT 28 VDC & 25°C

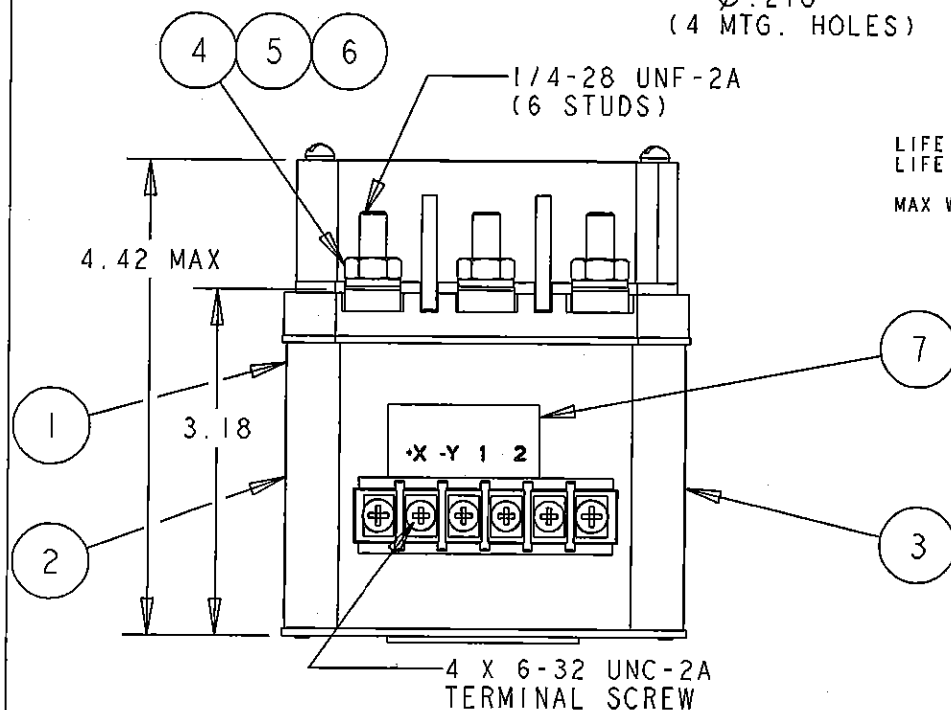


AUX CONTACTS  
 CONFIGURATION  
 VOLTAGE  
 CURRENT  
 RES.

1 SPST N.O.  
 28 VDC  
 5 AMP 28VDC  
 10 AMP 120VAC

LIFE ELECTRICAL  
 LIFE MECHANICAL  
 MAX WEIGHT

50,000 CYCLES MIN.  
 100,000 CYCLES MIN.  
 2.8 LBS



8	1	47912-011	LABEL - MAIN TERMINAL		1616967-7
7	1	47912-003	LABEL - TERMINAL		2-1616960-1
6	6	51807-034	LOCKWASHER, 1/4 SPLIT		3-1616360-0
5	6	51703-064	WASHER FLAT 1/2 X 17/64 X .032		6-1616358-7
4	6	50407-364	NUT 1/4-28 X 7/16 X 3/16 HEX		2-1616338-3
3	1	47912-002	LABEL - WIRING DIAGRAM		2-1616960-0
2	1	47912-010	LABEL-NAME PLATE		1616967-6
1	1	47776-030	CONTACTOR ASSEMBLY-PRIMARY		2-1616948-1

FIND NO	QTY RECD	PART OR IDENTIFYING NO	NOMENCLATURE OR DESCRIPTION	DRAWING OR SPECIFICATION	FSCN NO	TYCO PART NO	MATERIAL OR NOTE
---------	----------	------------------------	-----------------------------	--------------------------	---------	--------------	------------------

UNLESS OTHERWISE SPECIFIED  
 DIMENSIONS ARE IN INCHES  
 TOLERANCES ON

2 PL DEC.	.3 PL DEC.	ANGLES
± .05	± .015	± 1°

DR BY EPW 05/07/01  
 CHK BY JMK 06/11/09  
 ENGR JMK 06/11/09  
 MFG MFG

SIZE A CODE IDENT 74063

SCALE 3/5 SHEET 1 OF 1

**STE**  
 Harman Division 175 W. DIAMOND STREET MANSFIELD, OHIO 44902

CONTACTOR 3PST NO  
 240A 240/416 VAC

DWG NO. SAI36F

REF TE PN 1616948-7