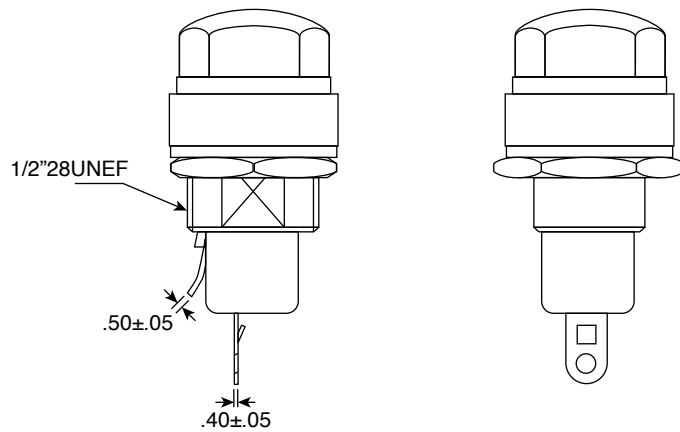
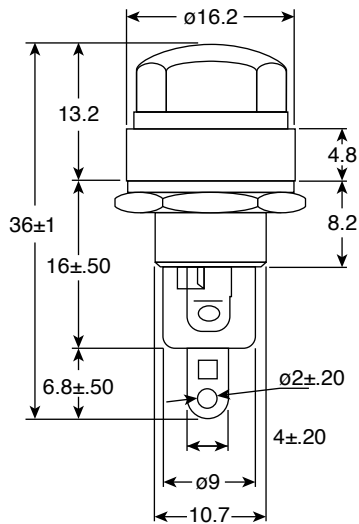


MOUNTING HOLE



Dimensions: mm

SPECIFICATIONS	
<b>Fuse:</b>	5x20mm
<b>Rating:</b>	10A/250VAC
<b>Insulation Resistance:</b>	500VDC 100M $\Omega$ Min.
<b>Dielectric Strength:</b>	1500VAC 1 Minute
RoHS Compliant by Exemption	