

THE INFORMATION CONTAINED HEREIN IS CONSIDERED "PROPRIETARY" TO BEL FUSE INC. AND SHALL NOT BE COPIED, REPRODUCED OR DISCLOSED WITHOUT THE WRITTEN APPROVAL OF BEL FUSE INC.

| LED1 POLARITY |        |        | LED2 POLARITY |        |        |
|---------------|--------|--------|---------------|--------|--------|
| PIN 13        | PIN 14 | COLOR  | PIN 15        | PIN 16 | COLOR  |
| -             | +      | YELLOW | -             | +      | GREEN  |
|               |        |        | +             | -      | ORANGE |

RoHS



ELECTRICAL CHARACTERISTICS @ 25°C

URNS RATIO

|     |               |
|-----|---------------|
| TP1 | 1CT : 1CT ±2% |
| TP2 | 1CT : 1CT ±2% |
| TP3 | 1CT : 1CT ±2% |
| TP4 | 1CT : 1CT ±2% |

OCL @ 100kHz/100mVRMS

8mA DC BIAS 350µH MIN.

INS. LOSS

|                  |             |
|------------------|-------------|
| 0.1MHz TO 1MHz   | -1.1 dB MAX |
| 1MHz TO 65MHz    | -0.5 dB MAX |
| 65MHz TO 100MHz  | -0.8 dB MAX |
| 100MHz TO 125MHz | -1.2 dB MAX |

RET. LOSS (MIN)

|              |                       |
|--------------|-----------------------|
| 0.5MHz-40MHz | -18 dB                |
| 40MHz-100MHz | -12+20LOG(f/80MHz) dB |

CM TO CM REJ

100kHz - 100MHz -30 dB MIN

CM TO DM REJ

100kHz - 100MHz -35 dB MIN

HIPOT (Isolation Voltage):

1500 Vrms or 2250VDC  
100% OF PRODUCTION TESTED TO COMPLY WITH IEEE 802.3 ISOLATION REQUIREMENTS.

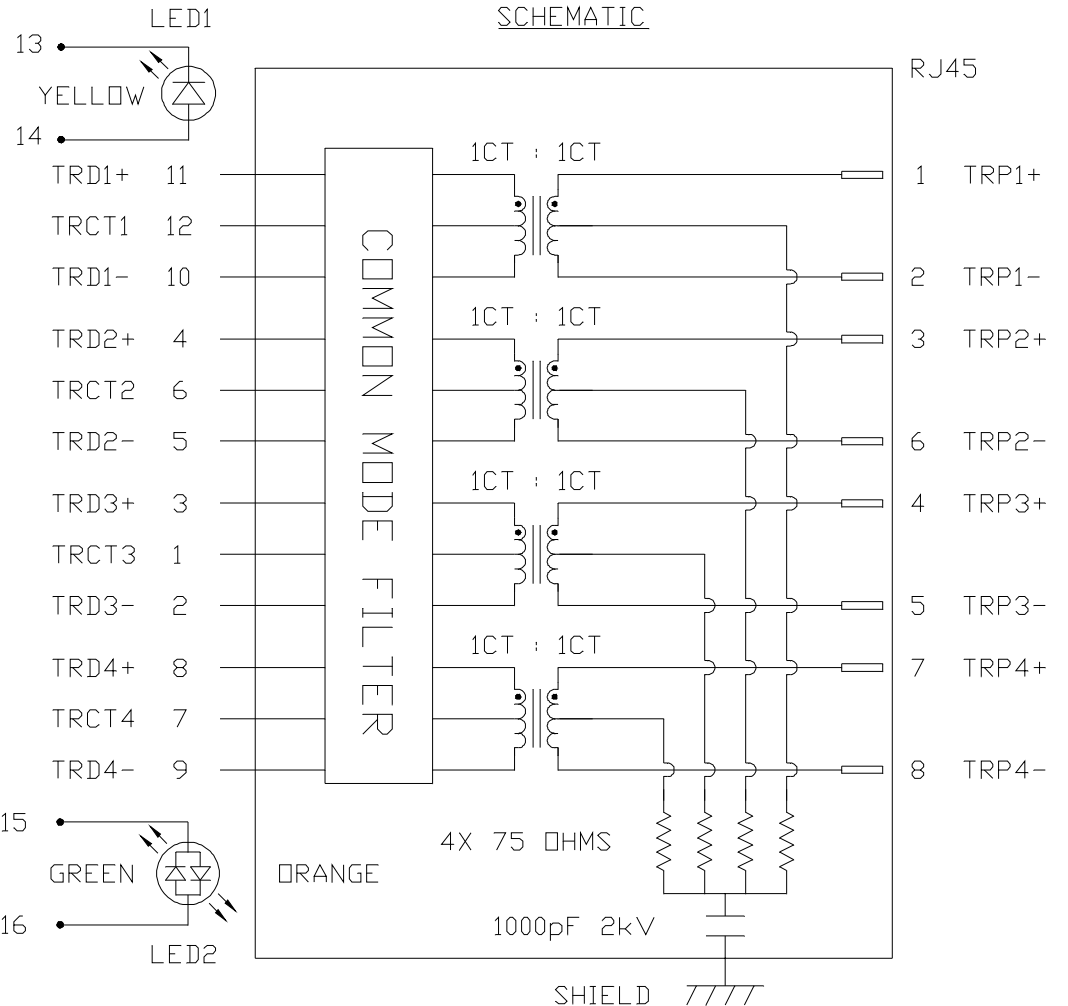
LED 1

VF (FORWARD VOLTAGE) IF=20mA YELLOW 2.1V TYP.  
λD (DOMINANT WAVELENGTH) IF=20mA YELLOW 590nm TYP.

LED 2

VF (FORWARD VOLTAGE) IF=20mA GREEN 2.2V TYP.  
ORANGE 2.0V TYP.  
λD (DOMINANT WAVELENGTH) IF=20mA GREEN 570nm TYP.  
ORANGE 605nm TYP.

OPERATING TEMPERATURE: 0°C TO +70°C.



REV. : D PAGE : 2

|                                |  |
|--------------------------------|--|
| ORIGINATED BY<br>CHOW WANCHUNG | TITLE<br>gigabit MagJack®<br>(8 cores, Tab Up) |
| DATE 2017-05-25                |  |
| DRAWN BY<br>XIE YIMING         | 0826-1X4T-43-F<br>PATENTED                     |
| DATE 2017-05-25                |  |

|  |                               |  |
|--|-------------------------------|--|
| PART NO. / DRAWING NO.<br>08261X4T43-F | STANDARD DIM.<br>TOL. IN INCH | [ ] METRIC DIM.<br>AS REF.                   |
| FILE NAME<br>08261X4T43-F_D.DWG        | .X<br>.XX<br>.XXX             | UNIT : INCH [mm]<br>SCALE : N/A<br>SIZE : A4 |

|          |          |
|----------|----------|
| REV. : D | PAGE : 2 |
|----------|----------|



THE INFORMATION CONTAINED HEREIN IS CONSIDERED "PROPRIETARY" TO BEL FUSE INC. AND SHALL NOT BE COPIED, REPRODUCED OR DISCLOSED WITHOUT THE WRITTEN APPROVAL OF BEL FUSE INC.

RoHS

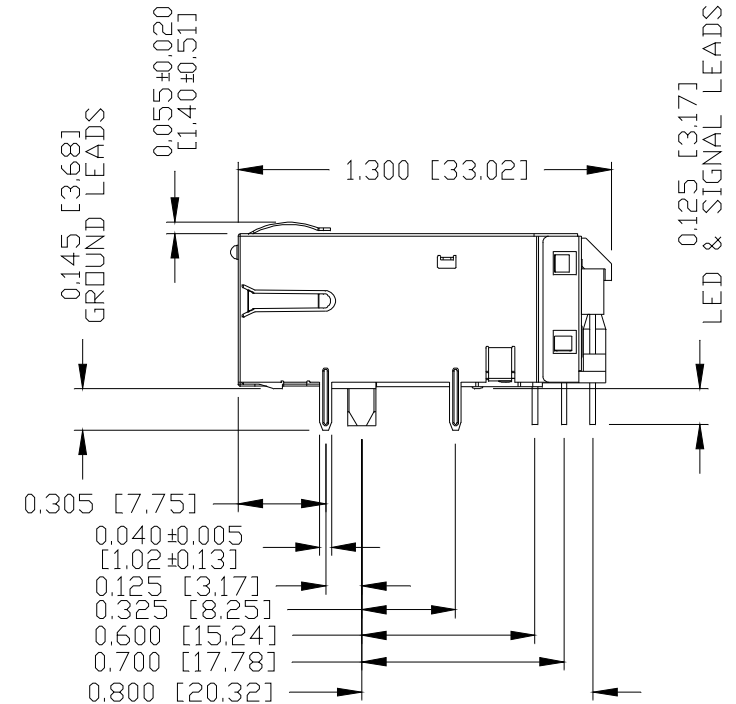
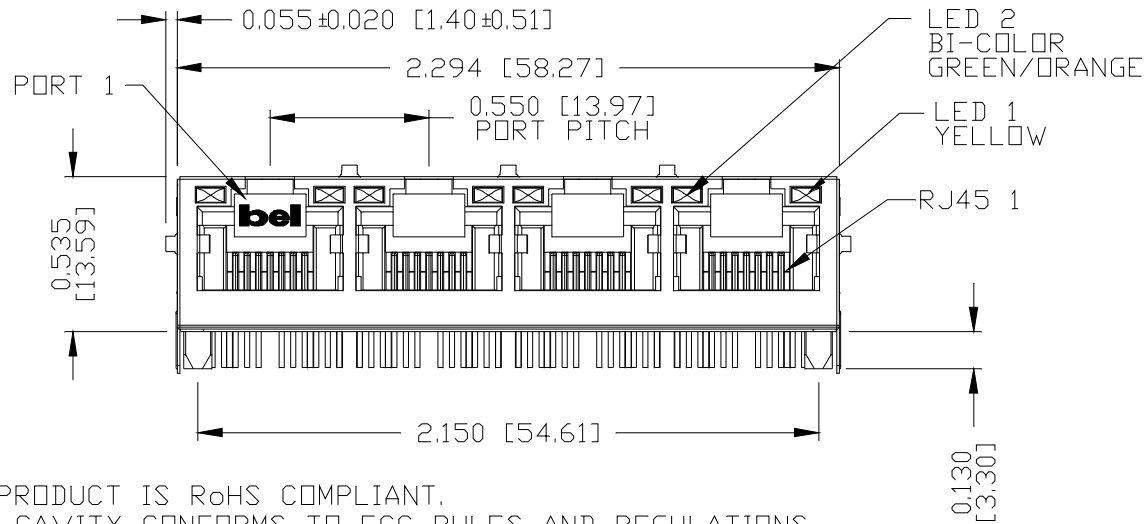
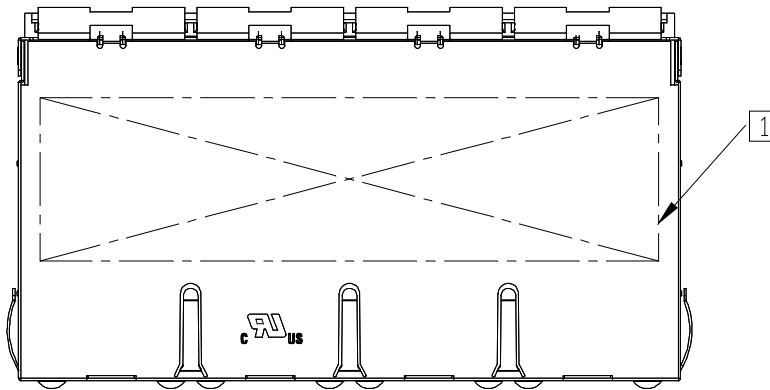


NOTES:

PLASTIC HOUSING: THERMOPLASTIC PBT, BLACK  
 FLAMMABILITY RATING UL 94V-0  
 CONTACTS PLATING: 50 MICRO-INCH HARD GOLD PLATING OR EQUIVALENT.  
 PINS: TIN-COATED COPPER WIRE, DIA 0.018 INCH, 100 MICRO-INCH MIN MATTE TIN, PINS ARE SOLDER DIPPED.  
 METAL SHIELD: NICKEL PLATED ON COPPER ALLOY, (ALL GROUND LEADS ARE SOLDER DIPPED)

[1] MARK PART WITH MFG LOGO, MFG NAME, PART NUMBER, DATE CODE AND PATENTED.

UL RECOGNIZED - FILE #E196366 AND E169987.



2. THE PRODUCT IS RoHS COMPLIANT.
3. JACK CAVITY CONFORMS TO FCC RULES AND REGULATIONS, PART 68 SUBPART F.
4. THE PRODUCT IS PATENTED, THE PATENT NUMBER IS U.S. PAT. 7,123,117.
5. THE PART IS RECOMMENDED FOR WAVE SOLDERING. THE SUGGESTED PEAK WAVE SOLDERING CONDITION IS 260°C MAX AND 10 SECONDS MAX.

REV. : D PAGE : 3

ORIGINATED BY  
ANTON LIAO  
DATE 2017-05-25  
DRAWN BY  
JESSE LI  
DATE 2017-05-25

TITLE  
gigabit MagJack®  
(8 cores, Tab Up)  
0826-1X4T-43-F  
PATENTED

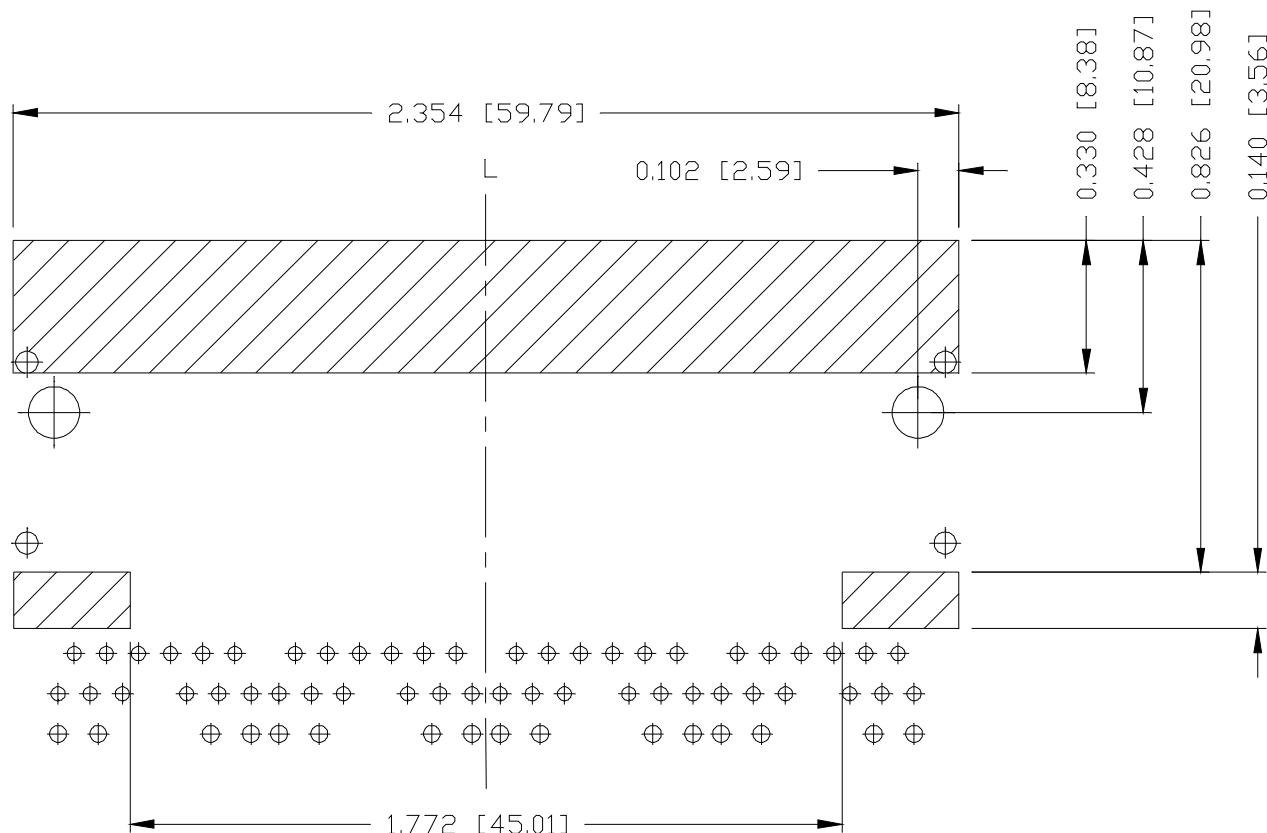
PART NO. / DRAWING NO.  
08261X4T43-F  
FILE NAME  
08261X4T43-F\_D.DWG

|                               |                            |
|-------------------------------|----------------------------|
| STANDARD DIM.<br>TOL. IN INCH | [ ] METRIC DIM.<br>AS REF. |
| .X                            | UNIT : INCH [mm]           |
| .XX                           | SCALE : N/A                |
| .XXX                          | SIZE : A4                  |



THE INFORMATION CONTAINED HEREIN IS CONSIDERED "PROPRIETARY" TO BEL FUSE INC. AND SHALL NOT BE COPIED, REPRODUCED OR DISCLOSED WITHOUT THE WRITTEN APPROVAL OF BEL FUSE INC.

RoHS



NOTES:

THE SHADED AREA ON THE CUSTOMER BOARD ARE RECOMMENDED TO BE CLEAR OFF ANY VIA HOLE OR COMPONENT PAD.

ORIGINATED BY  
ANTON LIAO  
DATE 2017-05-25

DRAWN BY  
JESSE LI  
DATE 2017-05-25

TITLE  
gigabit MagJack®  
(8 cores, Tab Up)  
0826-1X4T-43-F  
PATENTED

PART NO. / DRAWING NO.  
08261X4T43-F

FILE NAME  
08261X4T43-F\_D.DWG

STANDARD DIM. [ ] METRIC DIM.  
TOL. IN INCH AS REF.

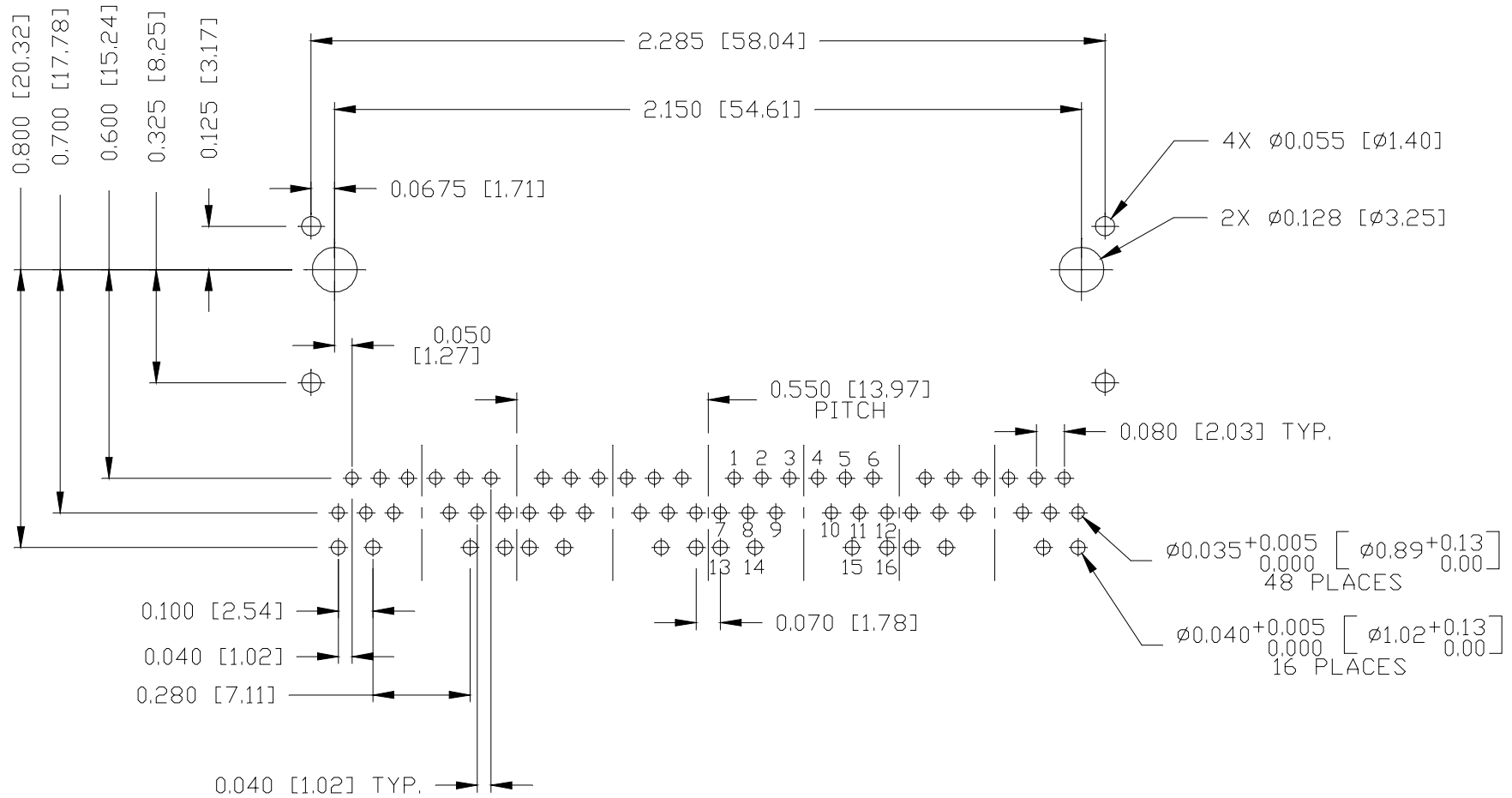
|      |        |                  |
|------|--------|------------------|
| .X   |        | UNIT : INCH [mm] |
| .XX  |        | SCALE : N/A      |
| .XXX | ±0.004 | SIZE : A4        |

REV. : D PAGE : 4



THE INFORMATION CONTAINED HEREIN IS CONSIDERED "PROPRIETARY" TO BEL FUSE INC. AND SHALL NOT BE COPIED, REPRODUCED OR DISCLOSED WITHOUT THE WRITTEN APPROVAL OF BEL FUSE INC.

RoHS



RECOMMENDED PCB FOOTPRINT  
COMPONENT SIDE VIEW

ORIGINATED BY  
ANTON LIAO  
DATE 2017-05-25

DRAWN BY  
JESSE LI  
DATE 2017-05-25

TITLE  
gigabit MagJack®  
(8 cores, Tab Up)  
0826-1X4T-43-F  
PATENTED

PART NO. / DRAWING NO.  
08261X4T43-F

FILE NAME  
08261X4T43-F\_D.DWG

STANDARD DIM. [ ] METRIC DIM.  
TOL. IN INCH AS REF.

|      |        |                  |
|------|--------|------------------|
| .X   |        | UNIT : INCH [mm] |
| .XX  |        | SCALE : N/A      |
| .XXX | ±0.004 | SIZE : A4        |

REV. : D PAGE : 5

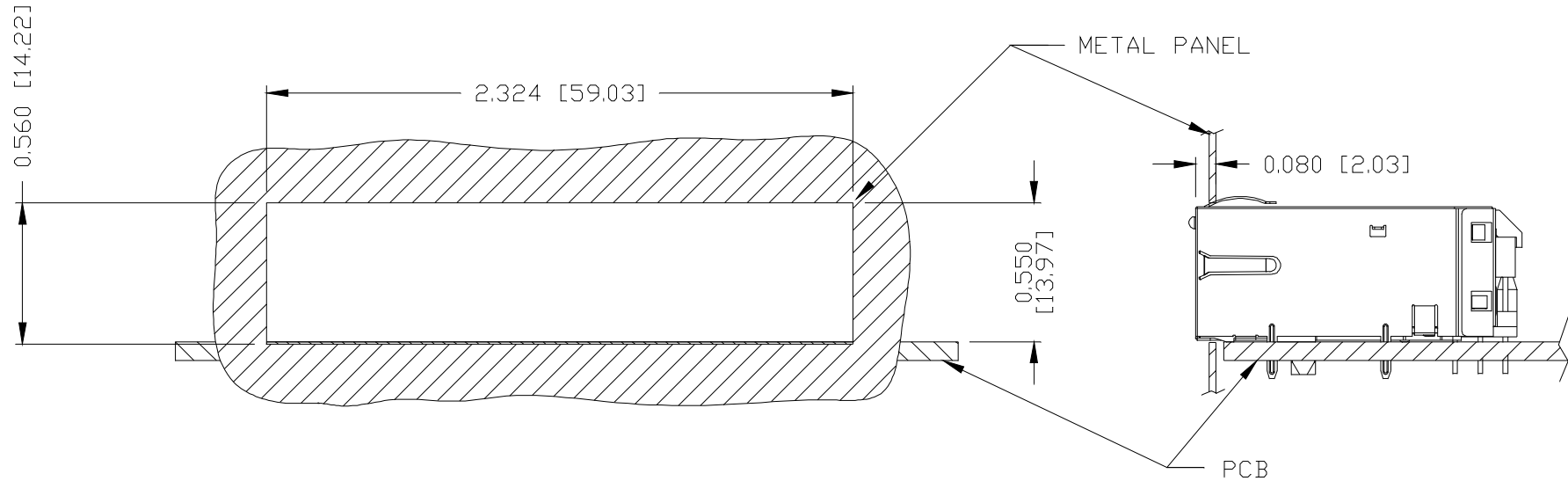


THE INFORMATION CONTAINED HEREIN IS CONSIDERED "PROPRIETARY" TO BEL FUSE INC. AND SHALL NOT BE COPIED, REPRODUCED OR DISCLOSED WITHOUT THE WRITTEN APPROVAL OF BEL FUSE INC.

RoHS



SUGGESTED PANEL OPENING



NOTES:

THE DISTANCE OF PANEL INSIDE SURFACE RELATIVE TO FRONT SURFACE OF PART IS ONLY A SUGGESTION. IN CASE THIS DISTANCE IS DIFFERENT, THE REQUIRED PANEL OPENING DIMENSIONS CHANGE ACCORDINGLY.

PACKING INFORMATION

PACKING TRAY : 0200-9999-B4 (TOP)

0200-9999-B5 (BOTTOM)

PACKING QUANTITY : 24 PCS FINISHED GOODS PER TRAY

10 TRAYS (240 PCS FINISHED GOODS) PER CARTON BOX

NOTE : CARDBOARDS ARE PLACED BETWEEN LAYERS OF PACKING TRAY INSIDE CARTON BOX

(INCLUDE THE UPPERMOST AND LOWERMOST TRAY)

|        |   |        |   |
|--------|---|--------|---|
| REV. : | D | PAGE : | 6 |
|--------|---|--------|---|

|                             |  |
|-----------------------------|--|
| ORIGINATED BY<br>ANTON LIAO | TITLE<br>gigabit MagJack®<br>(8 cores, Tab Up)<br>0826-1X4T-43-F<br>PATENTED |
| DATE 2017-05-25             |  |
| DRAWN BY<br>JESSE LI        |  |
| DATE 2017-05-25             |  |

|  |                               |                            |
|--|-------------------------------|----------------------------|
| PART NO. / DRAWING NO.<br>08261X4T43-F | STANDARD DIM.<br>TOL. IN INCH | [ ] METRIC DIM.<br>AS REF. |
| FILE NAME<br>08261X4T43-F_D.DWG        |                               | UNIT : INCH [mm]           |
|  |                               | SCALE : N/A                |
|  | .XX                           |                            |
|  | .XXX                          | ±0.004                     |
|  |                               | ⊕                          |
|  |                               | SIZE : A4                  |

|                  |
|------------------|
| UNIT : INCH [mm] |
| SCALE : N/A      |
| SIZE : A4        |

