



Dynamic Receiver

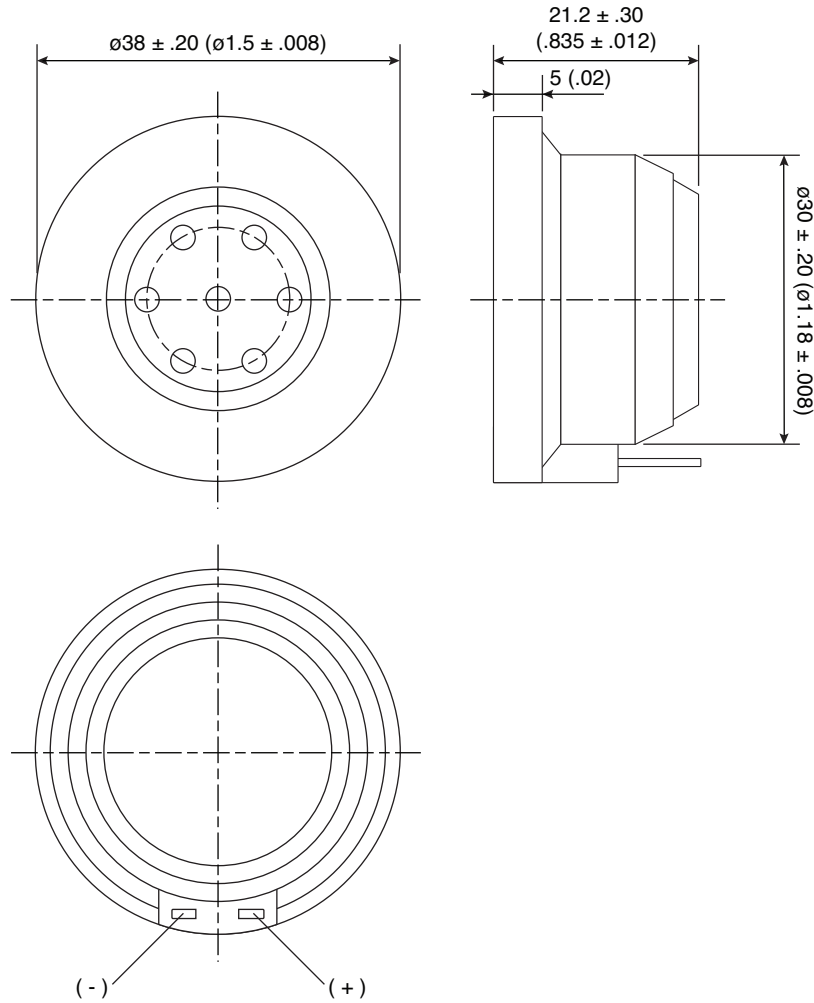
Date: 6/4/08

Dimensions: mm (in.)

Part Number:

254-DR150-RO

Dynamic Receiver



KT-400327

Electrical Specifications:

- Impedance: $150\Omega \pm 20\%$
- Nominal Input Power: 20mW
- Max Input Power: 50mW for 1 minute
- Sensitivity: 93dB

Note:

- RoHS Compliant