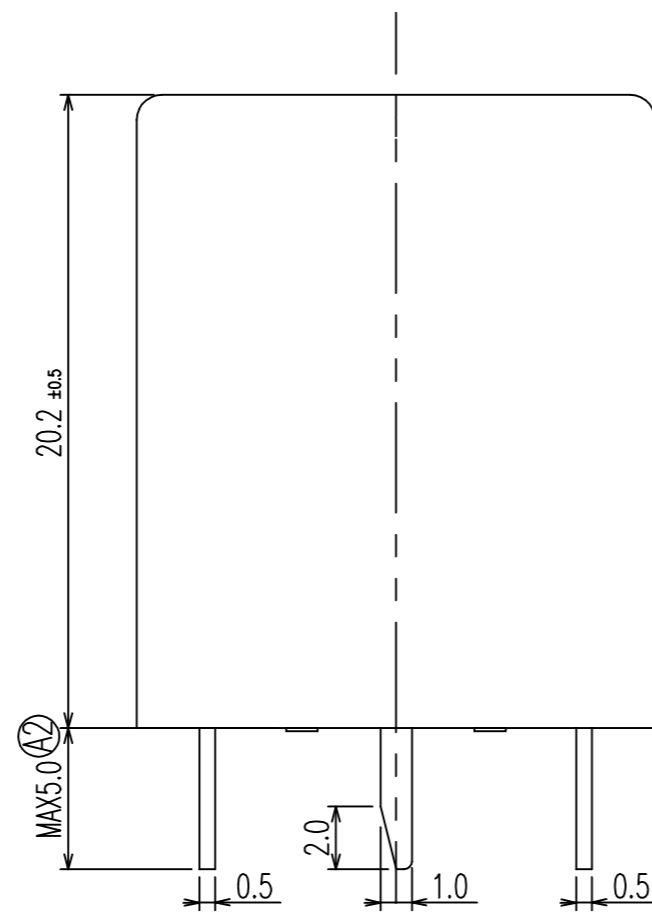
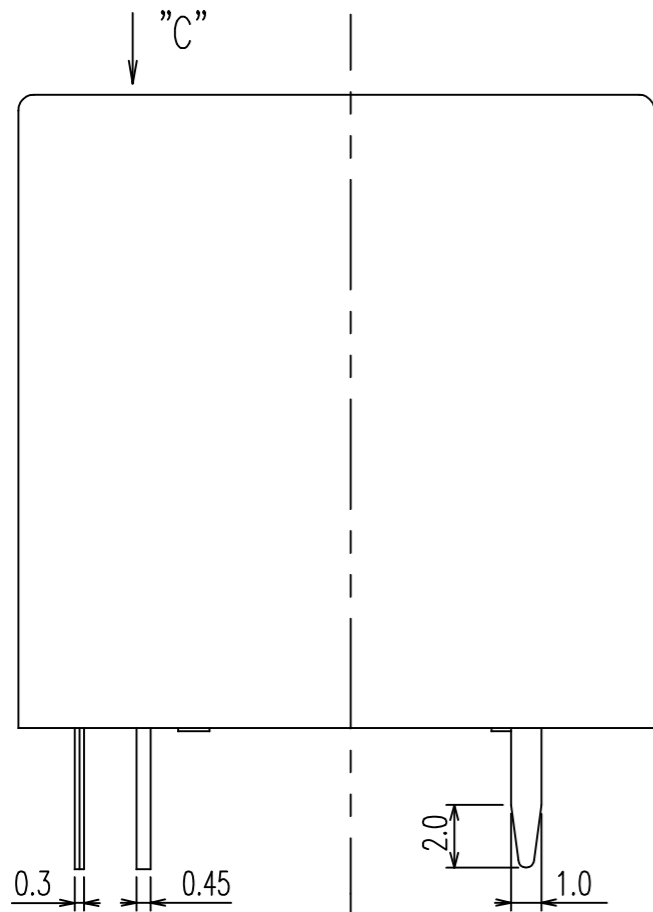
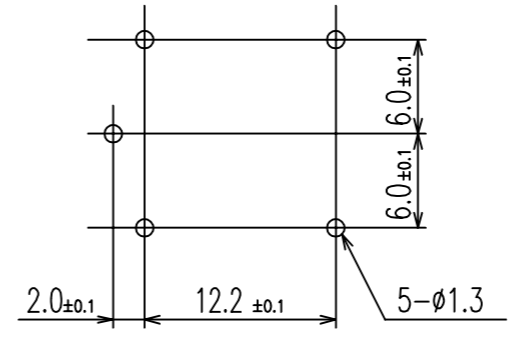


THIS DRAWING IS UNPUBLISHED. RELEASED FOR PUBLICATION  
 © COPYRIGHT BY TYCO ELECTRONICS CORPORATION. ALL RIGHTS RESERVED.

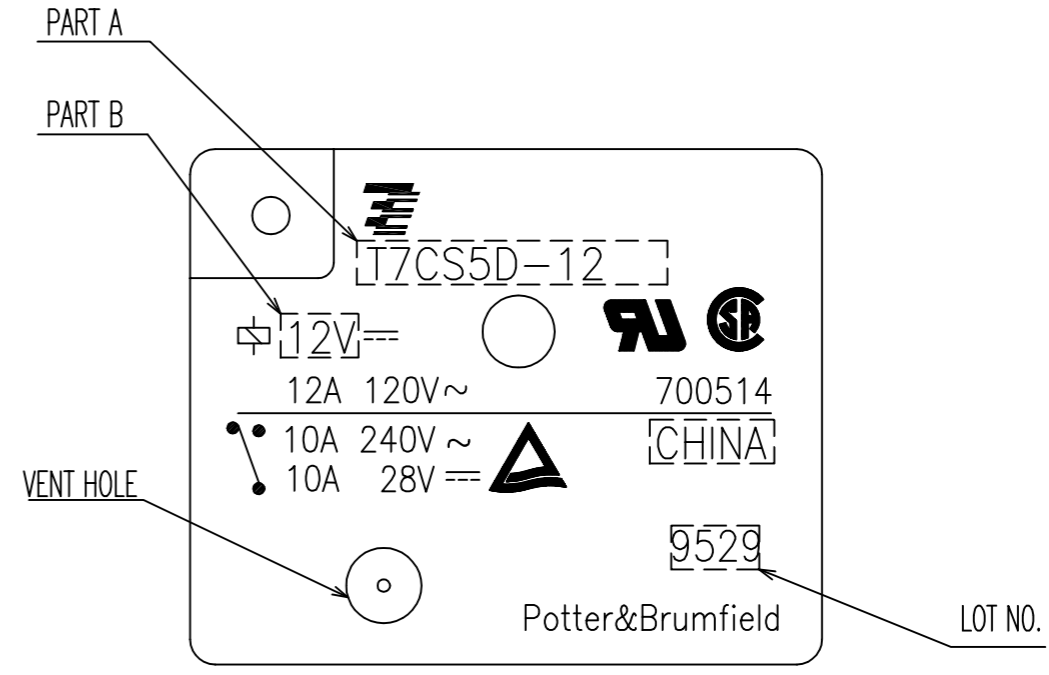
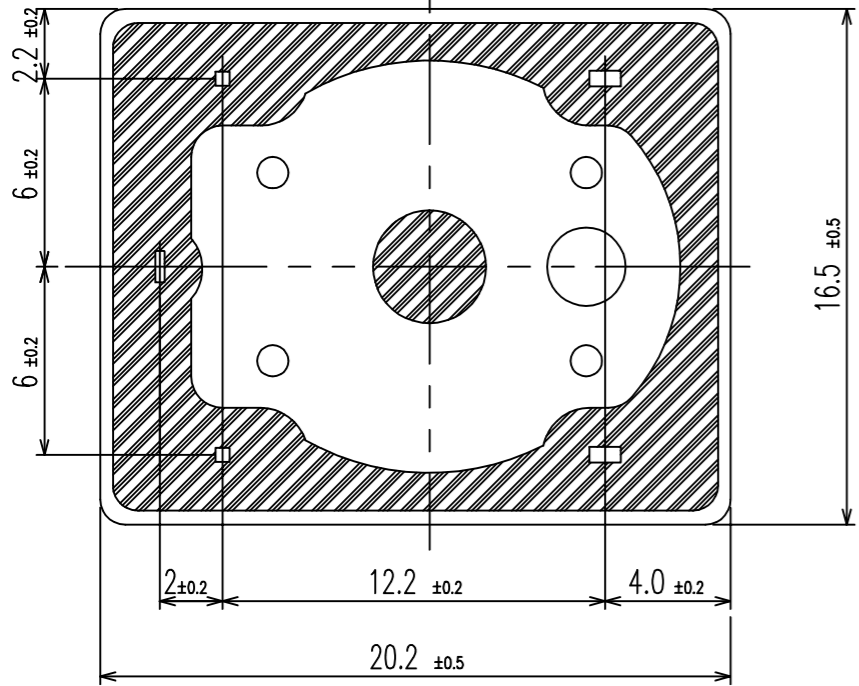
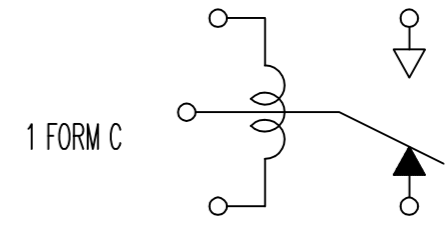
| LOC | DIST | REVISIONS |     |                                 |               |           |     |      |
|-----|------|-----------|-----|---------------------------------|---------------|-----------|-----|------|
|     |      | P         | LTR | DESCRIPTION                     | ECN           | DATE      | DWN | APVD |
|     |      |           | A1  | ADD NEW TYPE AND MODIFY MISTAKE | ECO-08-029446 | 14-NOV-08 | Z,Z | BH,Y |
|     |      |           | A2  | DIMENSION CHANGE                | ECO-10-004896 | 21-FEB-10 | Z,Z | BH,Y |
|     |      |           | A3  | ADD NEW TYPE                    | ECO-10-009515 | 15-MAY-10 | Z,Z | BH,Y |



4. DRILLING DIAGRAM (BOTTOM VIEW)



3. CONNECTION DIAGRAM (BOTTOM VIEW)



NOTE: LOT NO. SYSTEM AS FOLLOWING:  

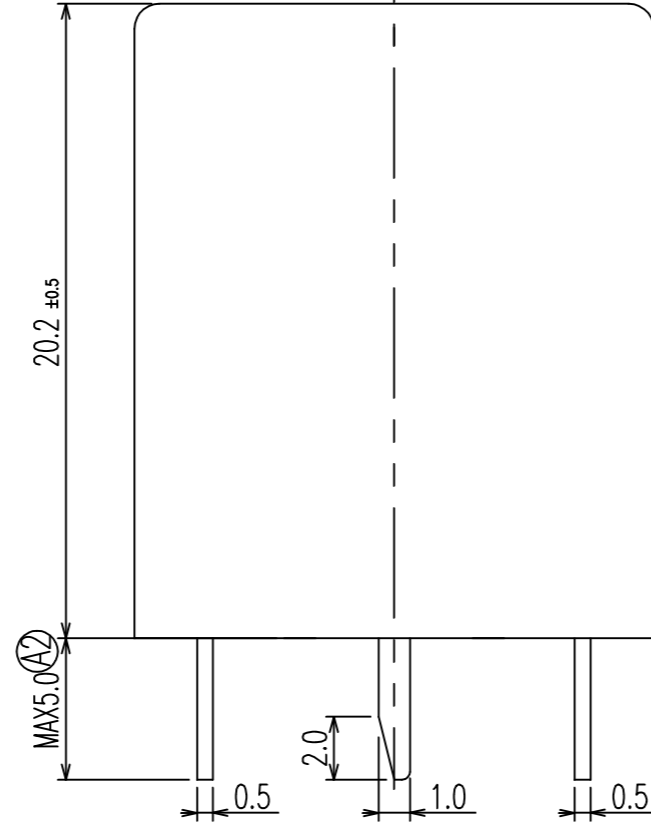
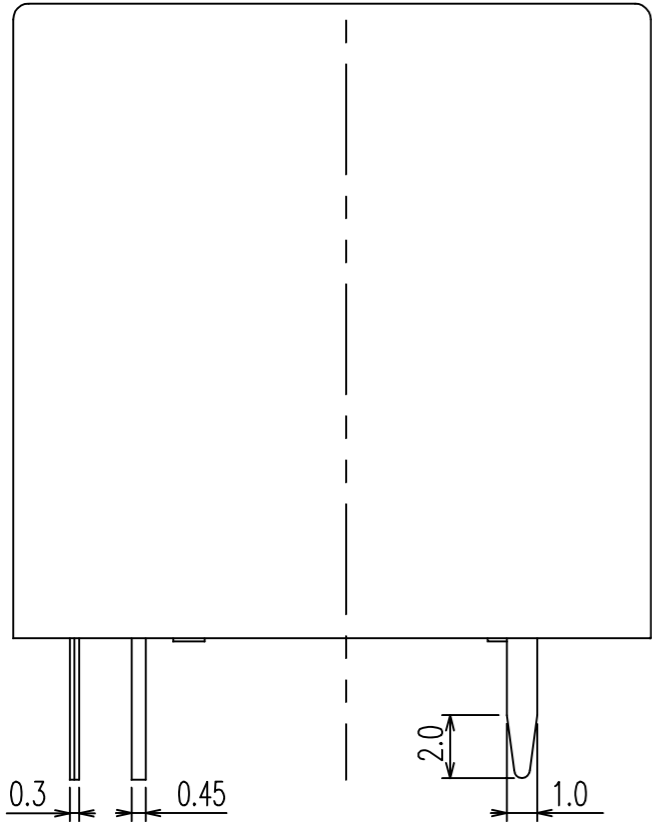
 WEEK  
 YEAR

| DIMENTION TOLERANCE |      |
|---------------------|------|
| Max. 1mm            | ±0.1 |
| 1mm~Max. 3mm        | ±0.2 |
| Min. 3mm            | ±0.3 |

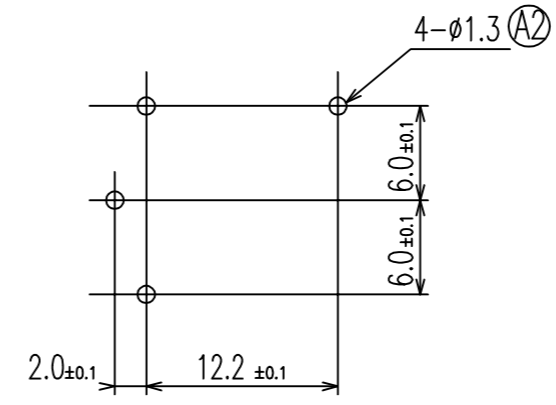
|  |  |                  |            |   |
|--|--|------------------|------------|---|
| THIS DRAWING IS A CONTROLLED DOCUMENT FOR TYCO ELECTRONICS CORPORATION IT IS SUBJECT TO CHANGE AND THE CONTROLLING ENGINEERING ORGANIZATION SHOULD BE CONTACTED FOR THE LATEST REVISION. |  | DWN              | H.SASAKI   | Tyco Electronics Corporation<br>ShenZhen, China                     |
| DIMENSIONS: mm   |  | CHK              | N.FUNAYAMA |   |
| TOLERANCES UNLESS OTHERWISE SPECIFIED:   |  | APVD             | A.NAGAI    | NAME<br>T7C*5(1)D-**,009 CUSTOMER DRAWING                           |
| 0 PLC ±<br>1 PLC ±<br>2 PLC ±<br>3 PLC ±<br>4 PLC ±<br>ANGLES ±  |  | PRODUCT SPEC     | -          |   |
| MATERIAL   |  | APPLICATION SPEC | -          | SIZE A3<br>CAGE CODE 00779<br>DRAWING NO 1393190<br>RESTRICTED TO - |
| FINISH   |  | WEIGHT           | -          |   |
|  |  | CUSTOMER DRAWING |            | SCALE 4:1   |
|  |  |                  |            | SHEET 1 OF 3  |
|  |  |                  |            | REV A3  |

THIS DRAWING IS UNPUBLISHED. RELEASED FOR PUBLICATION  
 © COPYRIGHT BY TYCO ELECTRONICS CORPORATION. ALL RIGHTS RESERVED.

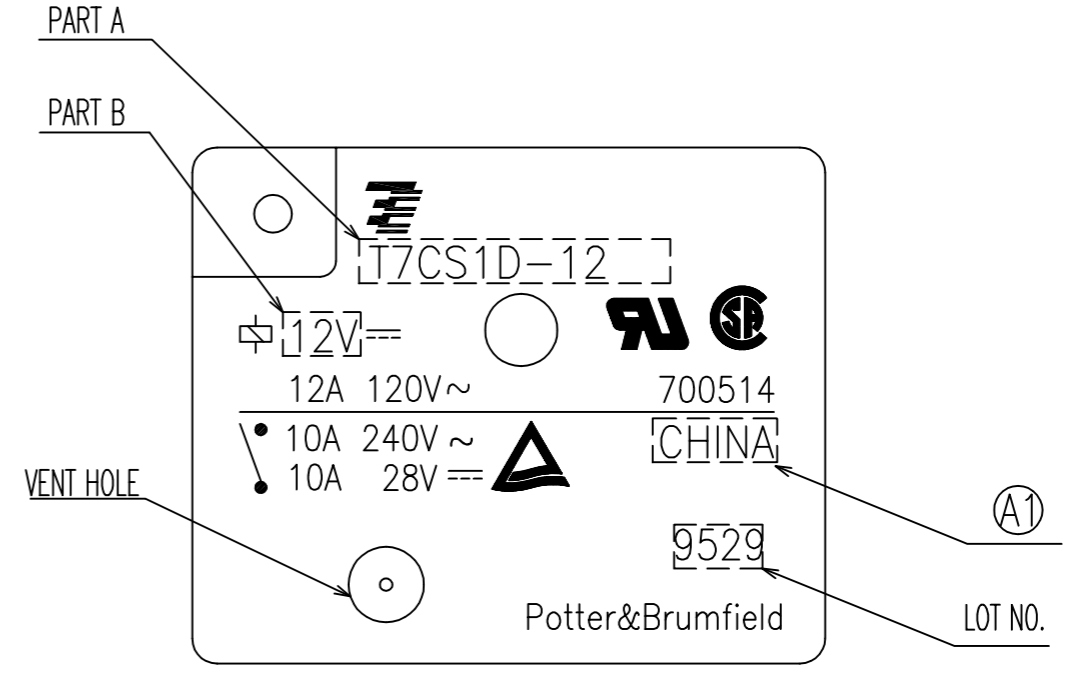
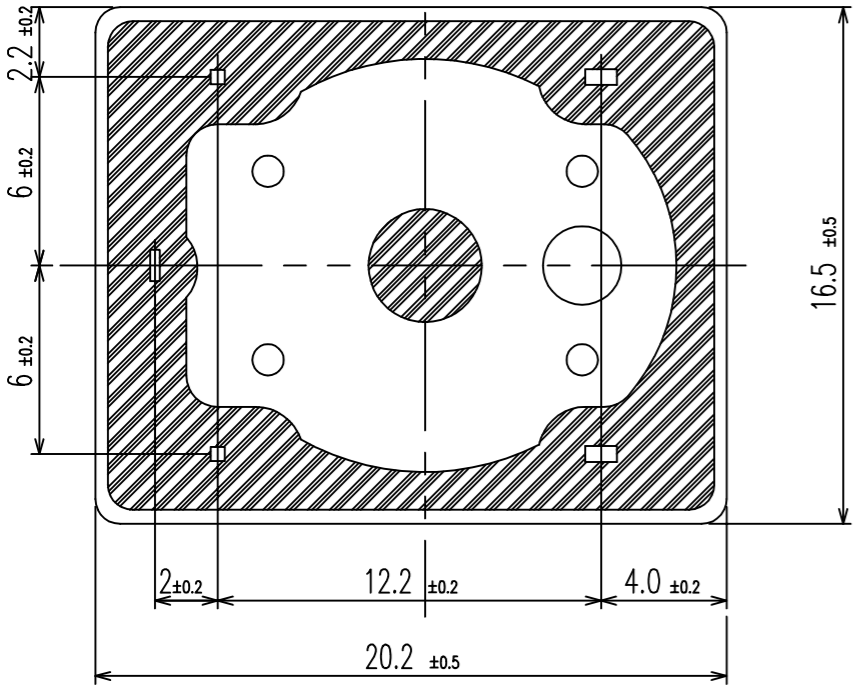
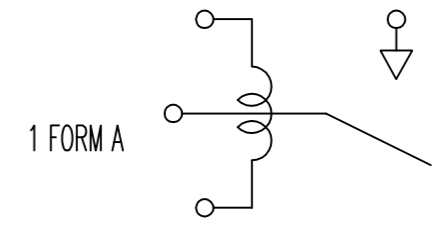
| LOC | DIST | REVISIONS |     |             |     |      |     |      |  |  |
|-----|------|-----------|-----|-------------|-----|------|-----|------|--|--|
|     |      | P         | LTR | DESCRIPTION | ECN | DATE | DWN | APVD |  |  |
|     |      |           |     |             |     |      |     |      |  |  |



4. DRILLING DIAGRAM (BOTTOM VIEW)



CONNECTION DIAGRAM (BOTTOM VIEW)



|  |  |                  |            |   |
|--|--|------------------|------------|---|
| THIS DRAWING IS A CONTROLLED DOCUMENT FOR TYCO ELECTRONICS CORPORATION IT IS SUBJECT TO CHANGE AND THE CONTROLLING ENGINEERING ORGANIZATION SHOULD BE CONTACTED FOR THE LATEST REVISION. |  | DWN              | H.SASAKI   | <b>Tyco Electronics</b> Tyco Electronics Corporation<br>ShenZhen, China |
| DIMENSIONS: mm   |  | CHK              | N.FUNAYAMA |   |
| TOLERANCES UNLESS OTHERWISE SPECIFIED:<br>0 PLC ±<br>1 PLC ±<br>2 PLC ±<br>3 PLC ±<br>4 PLC ±<br>ANGLES ±  |  | APVD             | A.NAGAI    | NAME  |
| MATERIAL   |  | PRODUCT SPEC     | -          | T7C*5(1)D-**,009 CUSTOMER DRAWING                                       |
| FINISH   |  | APPLICATION SPEC | -          | SIZE A3 CAGE CODE 00779 DRAWING NO 1393190 RESTRICTED TO -              |
| -  |  | WEIGHT           | -          | CUSTOMER DRAWING SCALE 4:1 SHEET 2 OF 3 REV A3                          |

4

3

2

1


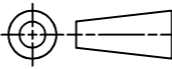
THIS DRAWING IS UNPUBLISHED. RELEASED FOR PUBLICATION  
© COPYRIGHT BY TYCO ELECTRONICS CORPORATION. ALL RIGHTS RESERVED.

| LOC<br>HB | DIST | REVISIONS |     |             |     |      |     |      |
|-----------|------|-----------|-----|-------------|-----|------|-----|------|
|           |      | P         | LTR | DESCRIPTION | ECN | DATE | DWN | APVD |
|           |      |           |     |             |     |      |     |      |

|    |           |             |        |           |      |
|----|-----------|-------------|--------|-----------|------|
| Ⓐ3 | FIGURE 11 | 4-1393190-2 | 18V    | T7CV1D-18 | U    |
| Ⓐ1 | FIGURE 11 | 4-1393190-3 | 24V    | T7CV1D-24 | t    |
| Ⓐ1 | FIGURE 11 | 4-1393190-1 | 12V    | T7CV1D-12 | s    |
|    | FIGURE 11 | 1-1393190-2 | 24V    | T7CS1D-24 | r    |
|    | FIGURE 11 | 1-1393190-0 | 12V    | T7CS1D-12 | q    |
|    | FIGURE 1  | 6-1393190-3 | 48V    | T7CV5D-48 | p    |
|    | FIGURE 1  | 6-1393190-0 | 24V    | T7CV5D-24 | o    |
|    | FIGURE 1  | 5-1393190-6 | 18V    | T7CV5D-18 | n    |
|    | FIGURE 1  | 5-1393190-3 | 12V    | T7CV5D-12 | m    |
|    | FIGURE 1  | 4-1393190-9 | 9V     | T7CV5D-09 | l    |
|    | FIGURE 1  | 4-1393190-7 | 6V     | T7CV5D-06 | k    |
|    | FIGURE 1  | 4-1393190-6 | 5V     | T7CV5D-05 | j    |
|    | FIGURE 1  | 4-1393190-5 | 3V     | T7CV5D-03 | i    |
|    | FIGURE 1  | 3-1393190-1 | 48V    | T7CS5D-48 | h    |
|    | FIGURE 1  | 2-1393190-8 | 24V    | T7CS5D-24 | g    |
|    | FIGURE 1  | 2-1393190-5 | 18V    | T7CS5D-18 | f    |
|    | FIGURE 1  | 2-1393190-2 | 12V    | T7CS5D-12 | e    |
|    | FIGURE 1  | 2-1393190-0 | 9V     | T7CS5D-09 | d    |
|    | FIGURE 1  | 1-1393190-9 | 6V     | T7CS5D-06 | c    |
|    | FIGURE 1  | 1-1393190-8 | 5V     | T7CS5D-05 | b    |
|    | FIGURE 1  | 1-1393190-7 | 3V     | T7CS5D-03 | a    |
|    | FIGURE    | TE PART NO  | PART B | PART A    | ITEM |

RELAY TYPE

|                  | UV RESIN    | UV SEAL(FOR SEALED TYPE) | 14   |
|------------------|-------------|--------------------------|------|
|                  | EPOXY RESIN | SEAL                     | 13   |
|                  | MW79        | MAGNETIC WIRE            | 12   |
| UL94 V-0         | PBT         | CASE                     | 11   |
| UL94 V-0 CLASS-F | PET         | BOBBIN                   | 10   |
|                  | CP WIRE     | COIL TERMINAL            | 9    |
|                  | Ag ALLOY    | STATIONARY CONTACT       | 8    |
|                  | Ag ALLOY    | MOVABLE CONTACT          | 7    |
|                  | Cu ALLOY    | NC TERMINAL              | 6    |
|                  | Cu ALLOY    | NO TERMINAL              | 5    |
|                  | Cu ALLOY    | MOVABLE SPRING           | 4    |
|                  | STEEL       | CORE                     | 3    |
|                  | STEEL       | ARMATURE                 | 2    |
|                  | STEEL       | YOKE                     | 1    |
| INCOMBUSTIBILITY | MATERIAL    | DESCRIPTION              | ITEM |

|  |  |                  |            |           |   |
|--|--|------------------|------------|-----------|---|
| THIS DRAWING IS A CONTROLLED DOCUMENT FOR TYCO ELECTRONICS CORPORATION<br>IT IS SUBJECT TO CHANGE AND THE CONTROLLING ENGINEERING ORGANIZATION<br>SHOULD BE CONTACTED FOR THE LATEST REVISION. |  | DWN              | H.SASAKI   |           |  <b>Tyco Electronics</b> Tyco Electronics Corporation<br>ShenZhen, China |
| DIMENSIONS:<br>mm  |  | CHK              | N.FUNAYAMA |           |   |
|   |  | APVD             | A.NAGAI    |           |   |
| TOLERANCES UNLESS OTHERWISE SPECIFIED:   |  | PRODUCT SPEC     | -          |           |   |
| 0 PLC ±  |  | APPLICATION SPEC | -          |           | NAME<br><b>T7C*5(1)D-**,009 CUSTOMER DRAWING</b>  |
| 1 PLC ±  |  | WEIGHT           | -          |           |   |
| 2 PLC ±  |  | SIZE             | A3         | CAGE CODE | 00779   |
| 3 PLC ±  |  | DRAWING NO       | C- 1393190 |           | RESTRICTED TO   |
| 4 PLC ±  |  | CUSTOMER DRAWING |            |           | SCALE   |
| ANGLES ±   |  | SCALE            |            |           | 4:1   |
| MATERIAL   |  | SHEET            |            |           | 3 OF 3  |
| FINISH   |  | REV              |            |           | A3  |