

DRAWING MADE IN THIRD ANGLE PROJECTION

3

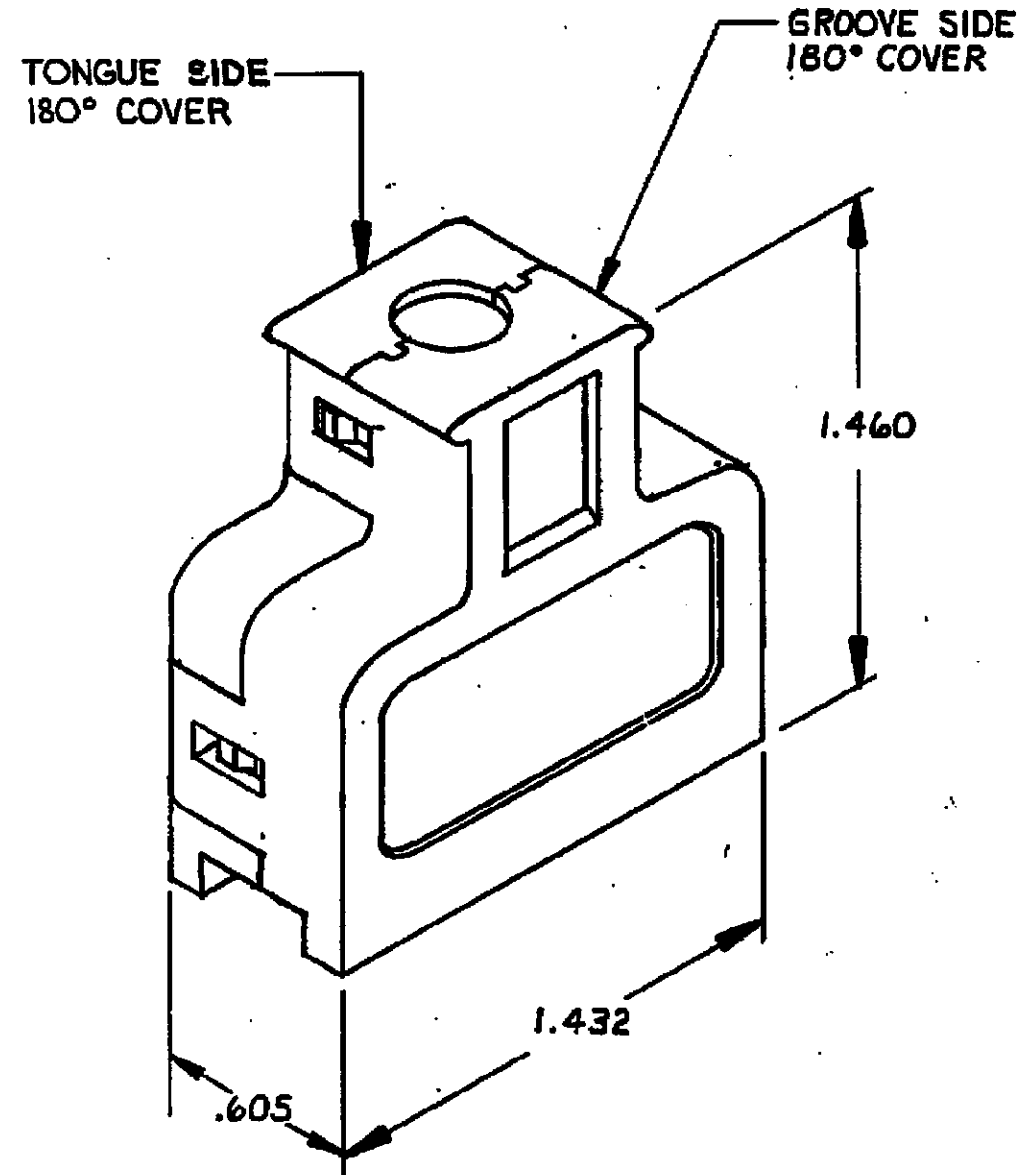
2

LOC AA DISF 20

THIS DRAWING IS UNPUBLISHED, RELEASED FOR PUBLICATION


COPYRIGHT

REVISIONS						
P	F	ZONE	LTR	DESCRIPTION	DATE	APPROVEC
			L1	REVISED PER ECO-11-005294	11APR11	HMR



1. ALL DIMENSIONS SHOWN ARE MAXIMUM UNLESS OTHERWISE SPECIFIED.
2. THIS KIT SHIPPED NOT ASSEMBLED.
3. PACKAGED ONE KIT PER POLY BAG.
4. 100 KITS BULK PACKED.

PACKAGED	CABLE RANGE DIAMETER	COLOR	GROOVE SIDE PART NO.	TONGUE SIDE PART NO.	KIT PART NO.
4	.320 - .380	BLACK	2- ↑ -1	2- ↑ -1	2- ↑ -1
	.280 - .320		1-552075-1	1-552074-1	1-552076-1
	.230 - .280		552075-1	552074-1	552076-1

UNLESS OTHERWISE SPECIFIED DIMENSIONS ARE IN INCHES. TOLERANCES ON: DECIMALS ± ANGLES ±		CONTRACT NO		 TE Connectivity	
MATERIAL POLYPHENYLENE		OP Phil Collins 5-9-83 CHK Stephen Dow 5-26-83 APPD [Signature] 5/16/83 APPD [Signature] 5/26/83 DSGN APPD OTHER APPD			
FINISH		SIZE B	FSCM NO 00779	DRAWING NO 552076	
SCALE 2:1			SHEET 1 OF 1		

CUSTOMER DRAWING