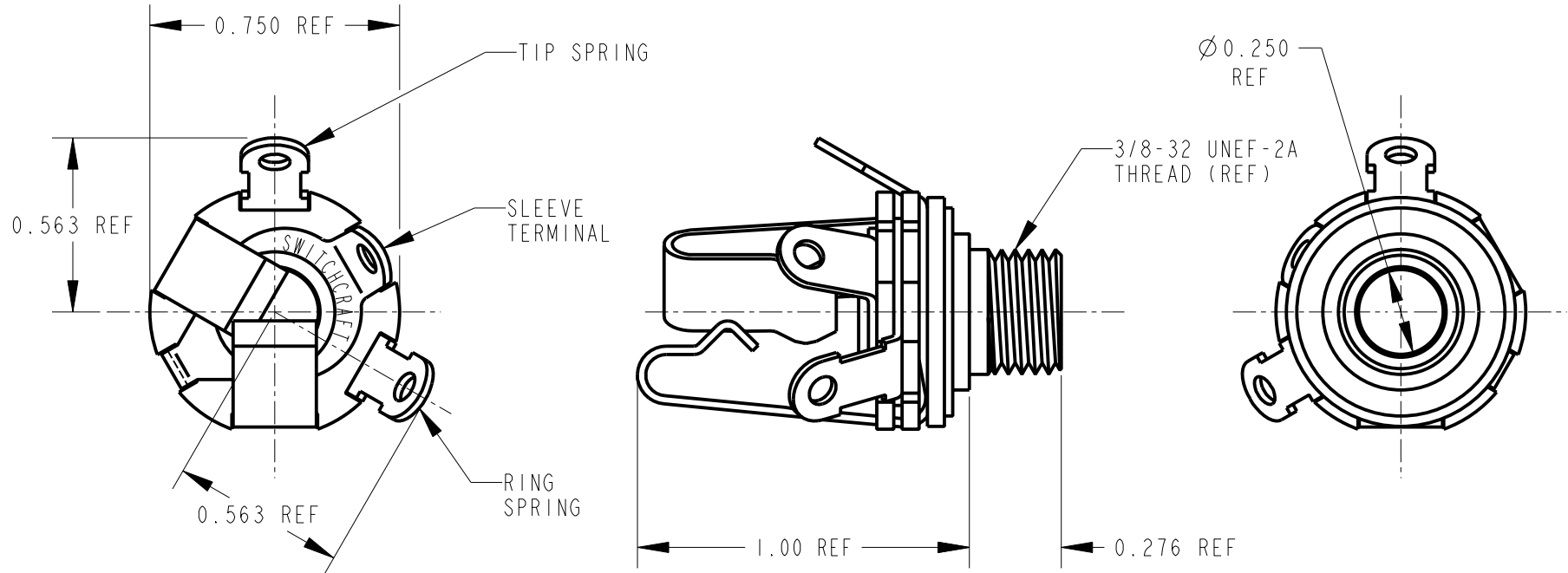


NOTES:

1. HARDWARE, NOT SHOWN, IS SHIPPED UNASSEMBLED.



CUSTOMER DRAWING

					★ STAR SYMBOL DENOTES CRITICAL DIMENSION	THIS DRAWING DESCRIBES A DESIGN CONSIDERED PROPRIETARY IN NATURE, DEVELOPED AND MANUFACTURED BY SWITCHCRAFT INC. AND IS RELEASED ON A CONFIDENTIAL BASIS FOR IDENTIFICATION PURPOSES ONLY.				
					UNLESS OTHERWISE SPECIFIED	SIZE	WIDTH	MULT	LBS/M	TEMPER
					1. ALL DIMENSIONS IN INCHES - TWO PLACE DECIMALS ±0.01 - THREE PLACE DECIMALS ±0.005 - ANGLES ±1° - ALL DIA. CONCENTRIC WITHIN 0.005 T.I.R.	FINISH			MATERIAL	
					2. FEATURES ON THE SAME CENTERLINE MUST BE ALIGNED WITHIN ±0.002	SPEC No.			SPEC No.	
					3. REMOVE ALL BURRS	FIRST USED ON			SCALE 1=0.5	
E	23572	6-27-01	JL	RB	DO NOT SCALE DRAWING	DATE DRAWN	BY	CHKD	APVD	Switchcraft®
D	22842	5-19-99	DA	RB		8-20-97	DA	JJ 8-21-97	JJ 8-21-97	
REV	ECO NUMBER	DATE	BY	APVD		NAME			PART No.	REV
REVISIONS						3 CONDUCTOR JAX OPEN CIRCUIT			12B	E

Mouser Electronics

Authorized Distributor

Click to View Pricing, Inventory, Delivery & Lifecycle Information:

[Switchcraft:](#)

[12B](#) [12BPKG](#)