

RP310 Series

Ultra Compact 3-Phase Delta Single Stage Power Line Filter

RP310 3PHASE DELTA TO 20A CHASSIS MOUNT FILTER

ROHS COMPLIANT



SPECIFICATIONS

| | |
|------------------------|--------------------|
| Operating Freq. | : 50/60Hz |
| Usable Freq. | : DC - 400Hz |
| Max. Operating Voltage | : 480V +10% |
| Ambient Temperature | : -25 to 50C |
| Climatic Category | : 25/100/21 |
| Hipot Rating (L-G) | : 3500VDC |
| Terminals (-T) | : QD: 0.25 Tabs |
| Safety Approvals | : CSA, UR, EN60939 |
| Typ. Weight, LBS (KG) | : 0.4 (0.2) |

LEAKAGE CURRENT

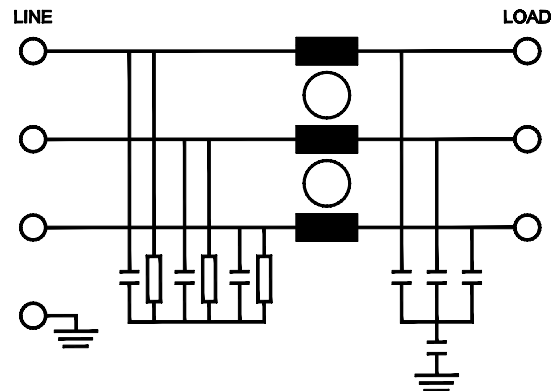
| Y-cap, nF | mA, 480V/60Hz |
|-----------|------------------|
| 0 | 0 |
| 10 | 0.1 |
| 100 | 1 |

PART NUMBER/ ORDERING

| RP310 | -X (Amps) | -Y (Ycap, nF) | -T |
|-------|--------------|------------------|----|
| | 6 | 0 | QD |
| | 10 | 10 | |
| | 20 | 100 | |

Note: Use any combination of -Y with any -X (Amps) rating
e.g. RP310-20-10-QD (20 Amps with 10nF Ycap)

SCHEMATIC



www.radiuspower.com

Reference purposes only.
Specifications are subject to change.
Consult factory to verify specifications.

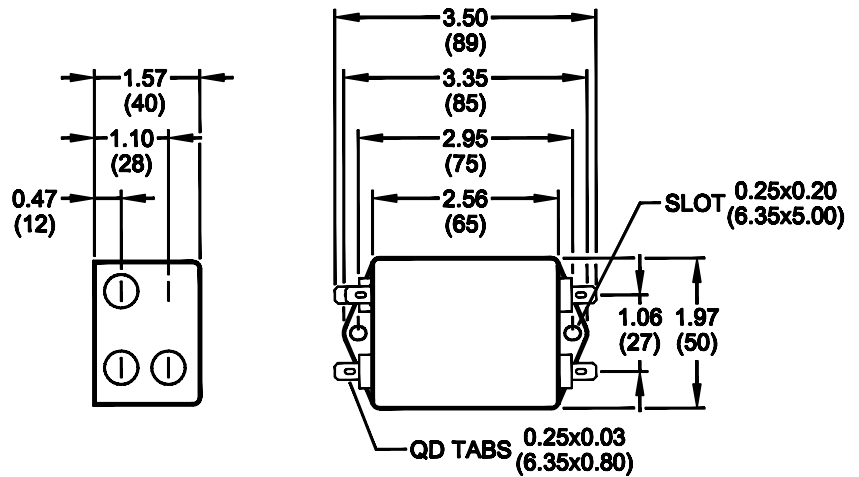
RP310

Typical Insertion Loss, dB (50/50ohm) Mechanical Dimensions

| 6 Amp | | | | | |
|------------|-----|----|----|----|----|
| FREQ (MHz) | .15 | .5 | 1 | 10 | 30 |
| CM (dB) | 54 | 76 | 82 | 82 | 72 |
| DM (dB) | 28 | 40 | 47 | 67 | 66 |

| 10 Amp | | | | | |
|------------|-----|----|----|----|----|
| FREQ (MHz) | .15 | .5 | 1 | 10 | 30 |
| CM (dB) | 34 | 62 | 67 | 72 | 69 |
| DM (dB) | 32 | 38 | 44 | 66 | 62 |

| 20 Amp | | | | | |
|------------|-----|----|----|----|----|
| FREQ (MHz) | .15 | .5 | 1 | 10 | 30 |
| CM (dB) | 22 | 40 | 62 | 72 | 76 |
| DM (dB) | 28 | 36 | 44 | 62 | 65 |



TYPICAL TOLERANCE: +/-0.02 (0.50)

Reference purposes only.
Specifications are subject to change.
Consult factory to verify specifications.