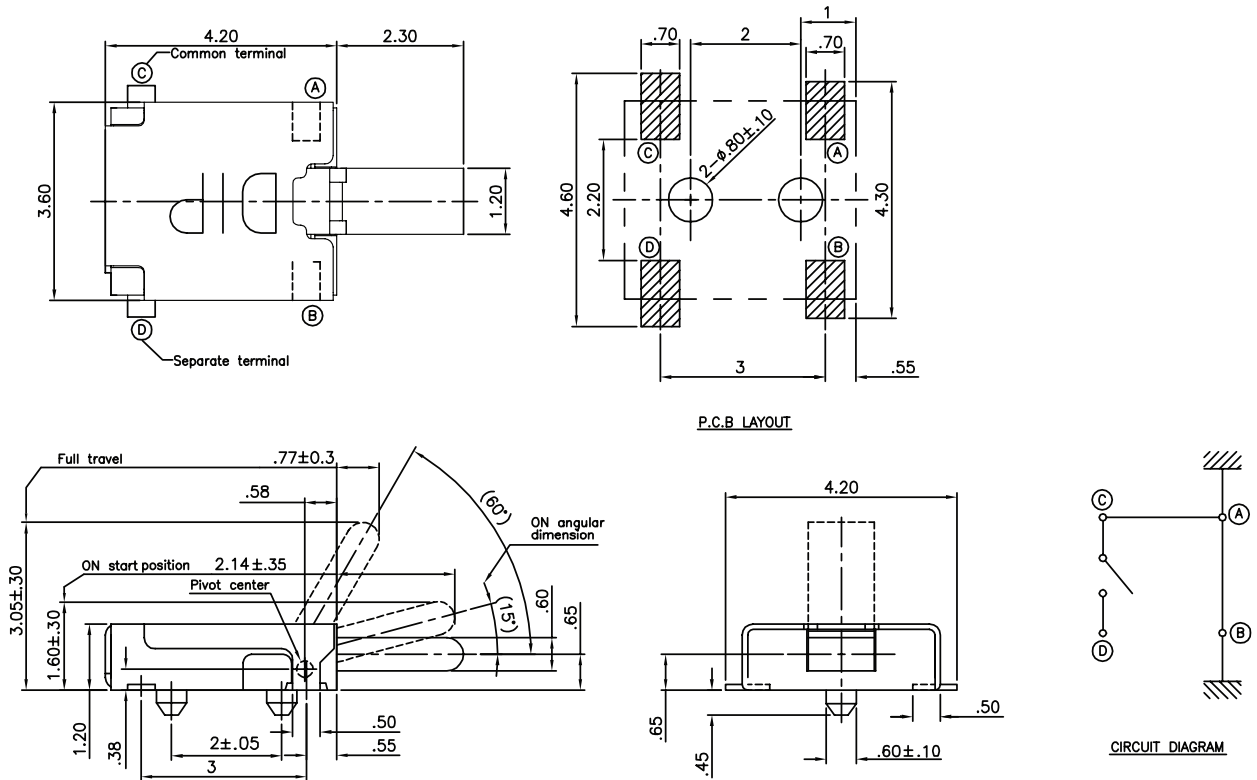


Dimensions: mm



Electrical Specifications:

- Rating: 50µA/3VDC to 10mA/5VDC
- Initial Contact Resistance: 500mΩ Max.
- Dielectric Strength: 100VAC 1 Minute.
- Insulation Resistance: 100MΩ Min. .

Mechanical Specifications:

- Operating Force: 40gf Max.
- Operating Temperature: -10°C to +60°C

Note:

- RoHS Compliant

Detector Switch
101-T1DFR-EV

