

Single Pedal With Cover

WITH E-STOP BUTTON



Standard OFF-ON Operation - Push pedal to change contact state. Release pedal to return to original state. With 2NC contact Emergency Stop

INTERNAL CONTACTOR

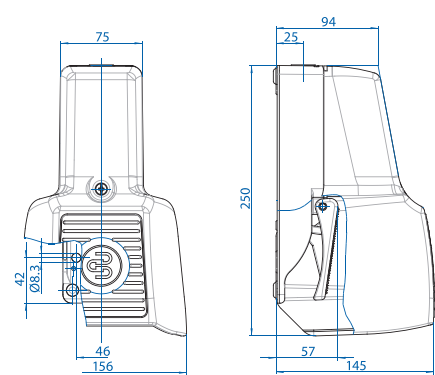
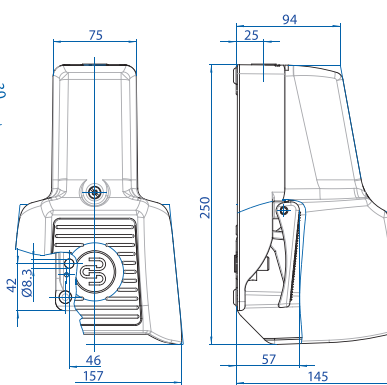
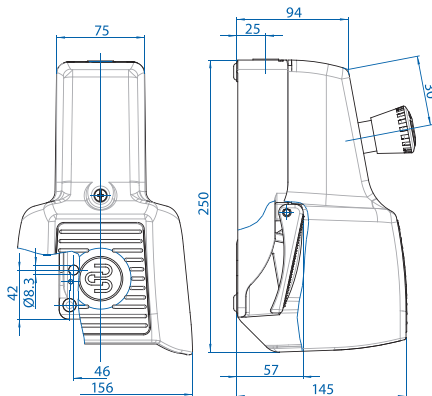


Standard and Latching style with built in contactor can switch up to 16AMPS@400VAC for AC1 applications, with additional 3NO/1NC Contacts

ANALOG OUTPUT



Analog Output Operation - As the pedal is depress, voltage or amperage (depending on model) is increase. Features an additional programmable PNP NO signaling contact that activates at a preset level.



Single pedal foot switch F1

Article number	Designation	Switching contacts
606.1600.435	F1-U1Z NA2 UN	1NC / 1NO

Single pedal foot switch F1

Article number	Designation	Switching contacts
Standard		
606.1800.436	F1-SU1Z LS22 UN	1NC / 1NO
Latching		
606.1800.439	F1-SU1Y LS22 UN	1NC / 1NO

Single pedal foot switch F1

Article number	Designation	Output Range
616.1000.727	F1-AU0-5	0 - 5 V
616.1000.728	F1-AU0-10	0 - 5 V
616.1000.729	F1-AI0-20	0 - 20 mA
616.1000.730	F1-AI4-20	4 - 20 mA