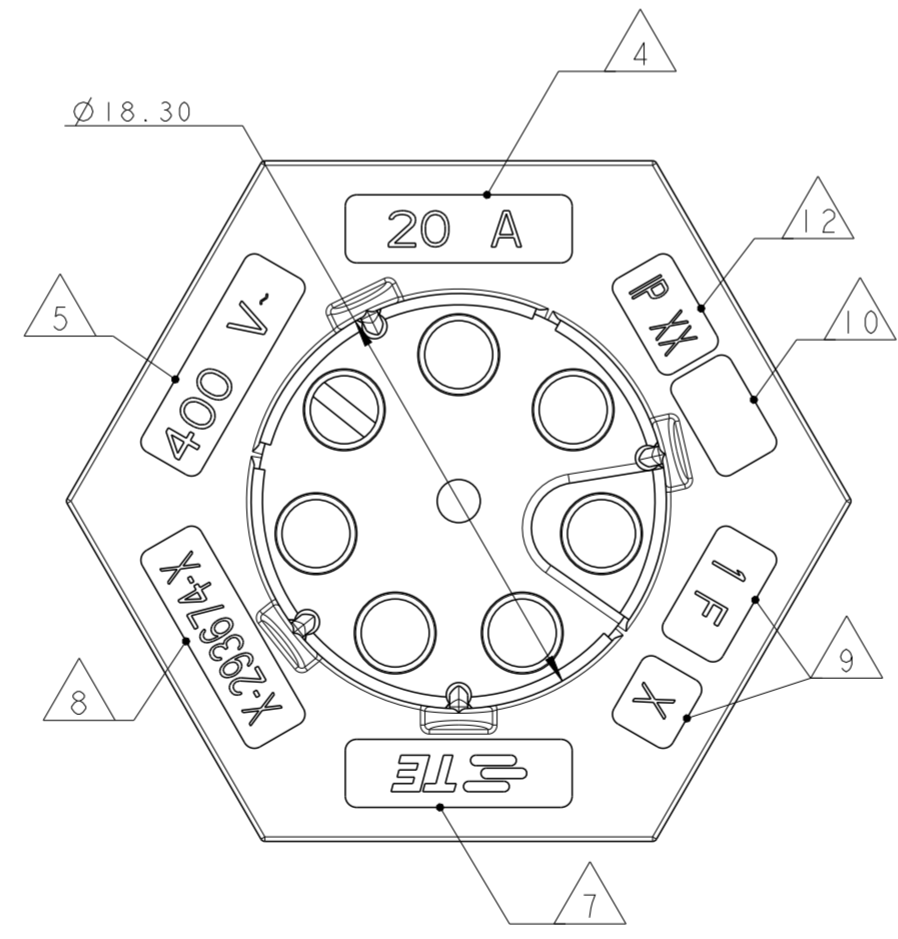
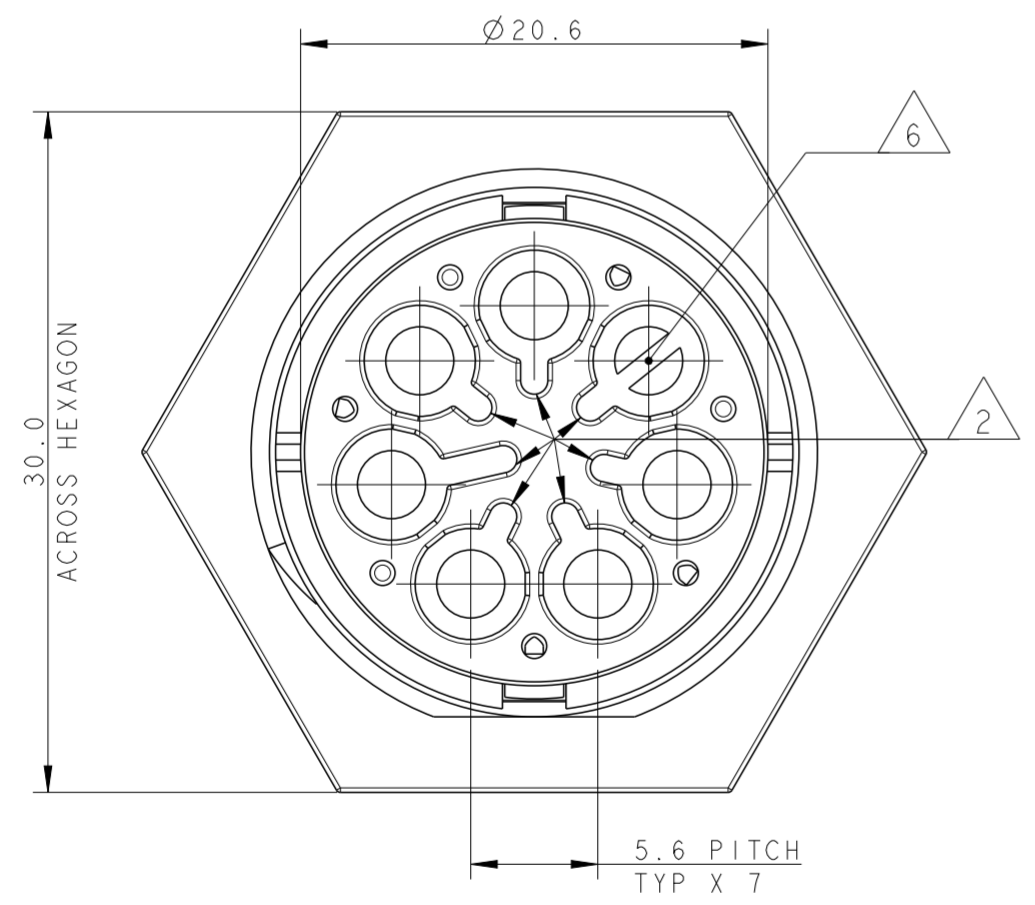
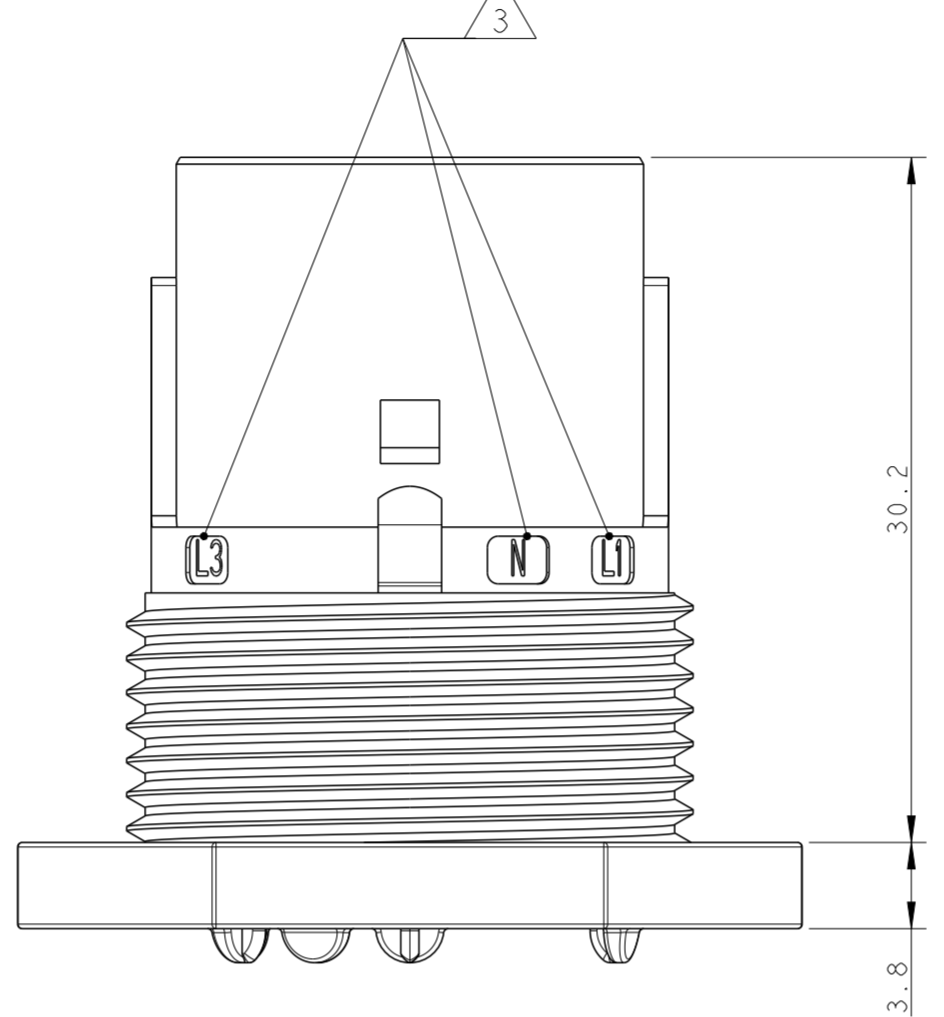
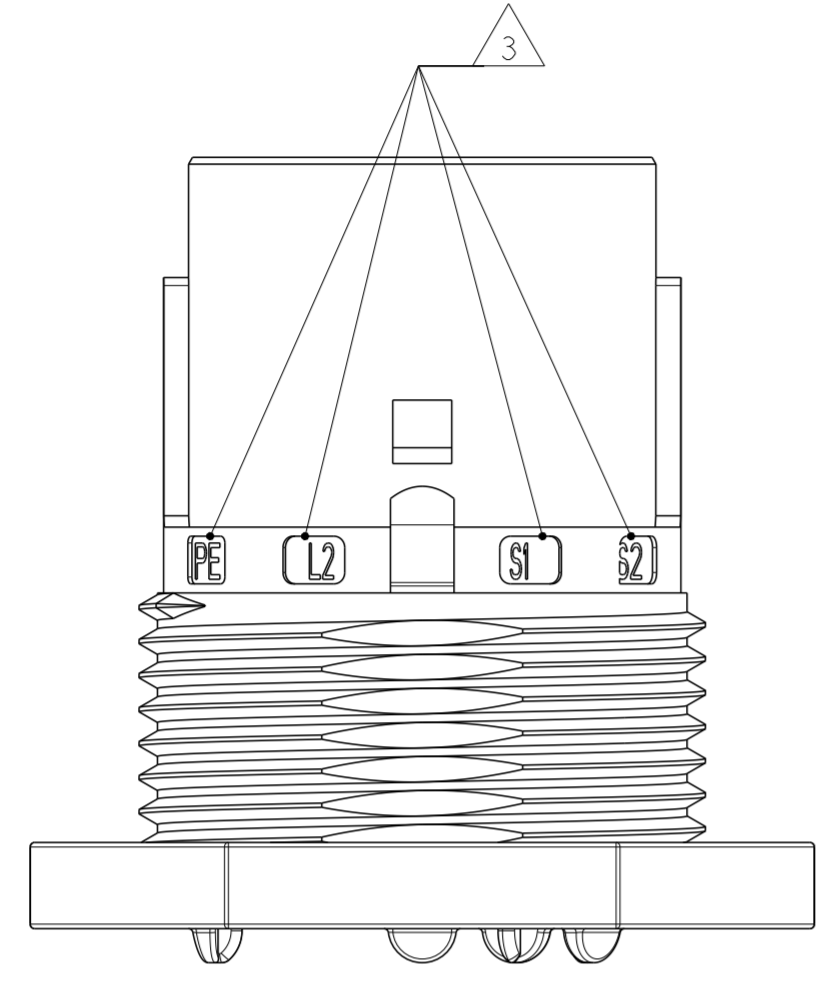


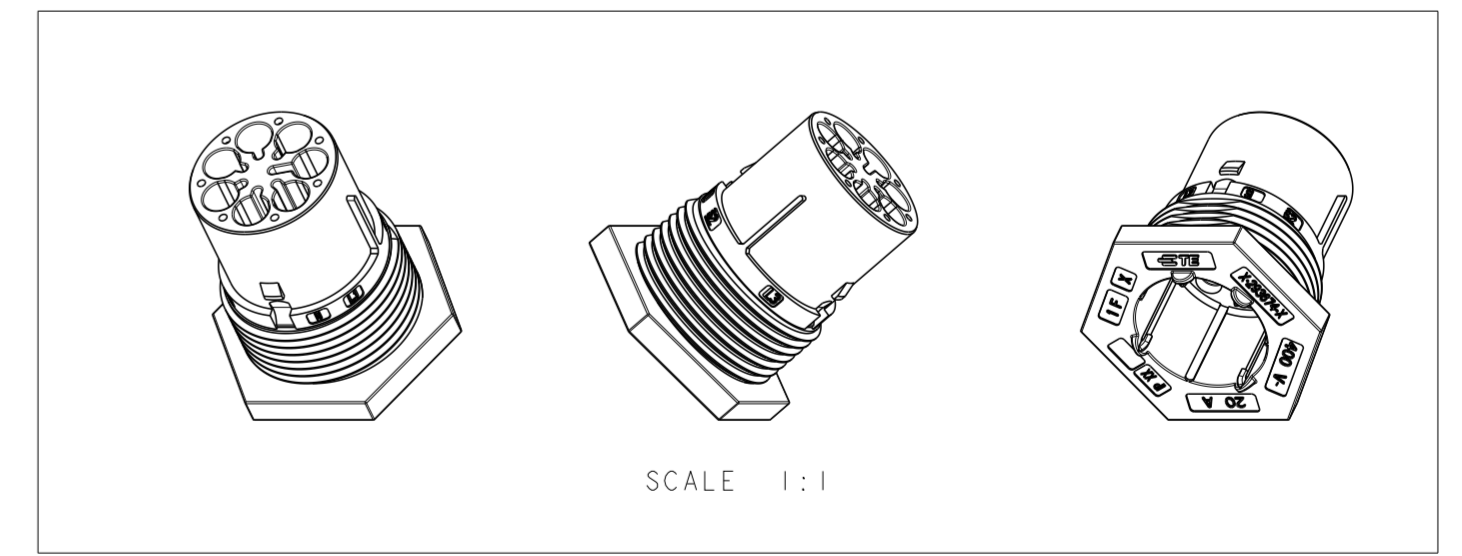
THIS DRAWING IS UNPUBLISHED. RELEASED FOR PUBLICATION 2011
 © COPYRIGHT 2011 BY - ALL RIGHTS RESERVED.

LOC		DIST		REVISIONS			
P	LTR	DESCRIPTION	DATE	DWN	APVD		
	6	UPDATED	23JUL2012	MZ	JC		
	7	REVISED LATCH SHAPE	02AUG2013	KR	JC		
	A	PARTS RELEASED FOR PRODUCTION	13NOV2013	KR	JC		



NOTES:

- 1 MATERIAL: PA GF (NATURAL AND BLACK COLOUR)
 - 2 ALL POLARIZATION KEYS SHOWN FOR REF ONLY
 - 3 WAYS I.D.
 - 4 CURRENT RATING
 - 5 VOLTAGE RATING
 - 6 RIB CLOSING CAVITIES BY CHANGE OVER
 - 7 TE LOGO
 - 8 TE PART NUMBER
 - 9 DATA CODE AND CAVITY I.D.
 - 10 AREA FOR AGENCIES APPROVAL LOGO
- 11) SEE C-DRAWING 293682 (LOCKING CAP) TO GET IP 40
- 12) IP CODE



THIS DRAWING IS A CONTROLLED DOCUMENT.		DWN A. BERNARDI 31MAR2011	TE Connectivity	
DIMENSIONS: mm		CHK M. ZUCCA 31MAR2011		
TOLERANCES UNLESS OTHERWISE SPECIFIED:		APVD G. TURCO 31MAR2011	NAME PIN HOUSING 6 POLES PANEL MOUNT M-LINE NECTOR	
0 PLC ± 1 PLC ±0.3 2 PLC ±0.20 3 PLC ± 4 PLC ± ANGLES ±3° FINISH		PRODUCT SPEC 108-20324	SIZE 114-20169	
MATERIAL		WEIGHT	SCALE 3:1	RESTRICTED TO
		Customer Drawing	A200779C-293674	SHEET 1 OF 3 REV A

THIS DRAWING IS UNPUBLISHED. RELEASED FOR PUBLICATION 2011
 © COPYRIGHT 2011 BY - ALL RIGHTS RESERVED.

LOC		DIST		REVISIONS			
P	LTR	DESCRIPTION	DATE	DWN	APVD		
-	-	SEE SHEET 1	-	-	-		

POLARIZATION TYPES

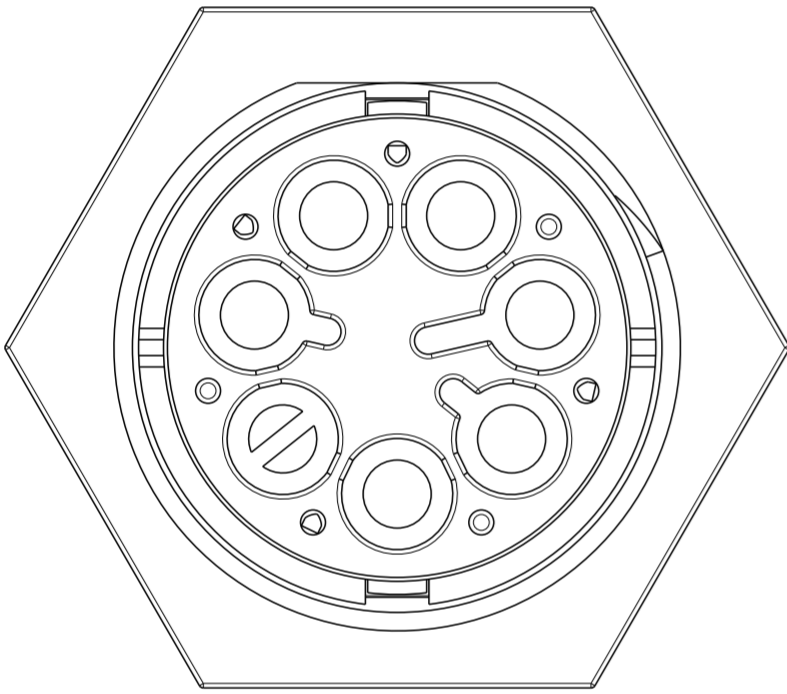
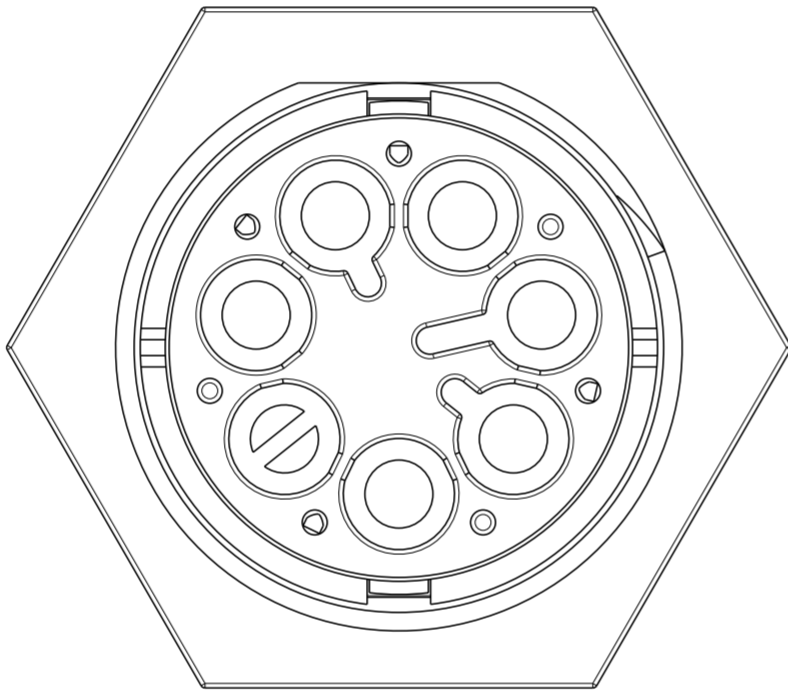
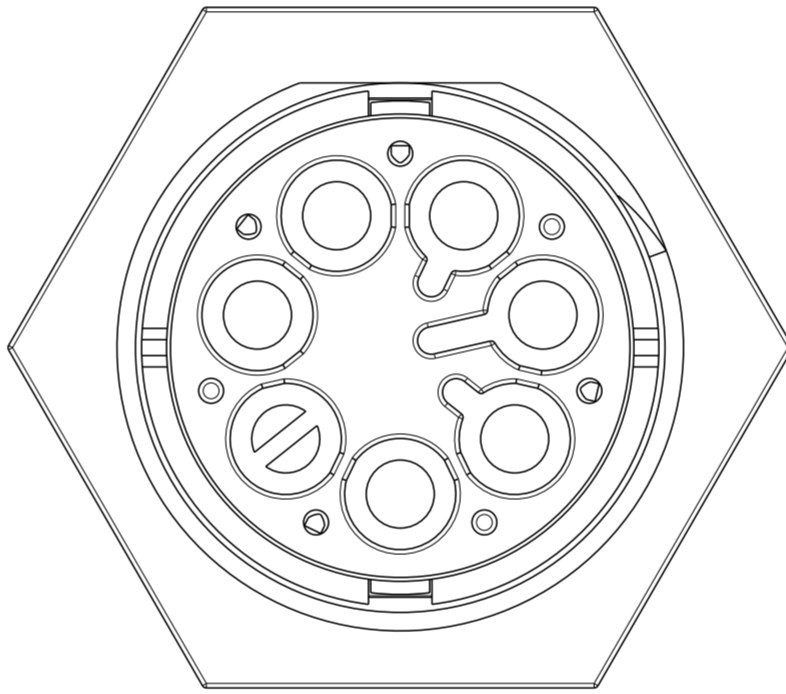

POLARIZATION TYPE "A"	POLARIZATION TYPE "B"	POLARIZATION TYPE "C"
		
PNs 0-293674-3 AND 1-293674-3	PNs 0-293674-4 AND 1-293674-4	PNs 0-293674-5 AND 1-293674-5

TABLE 1

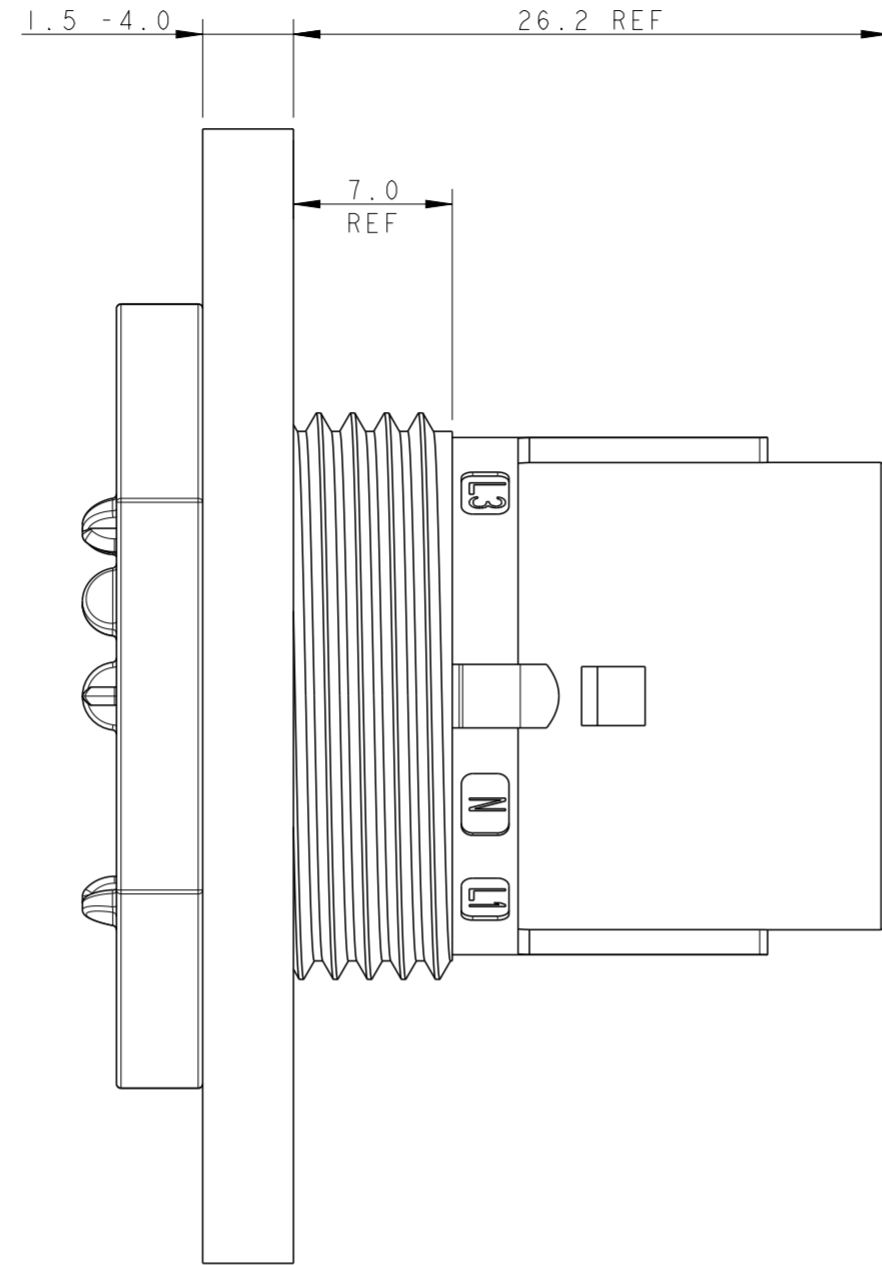
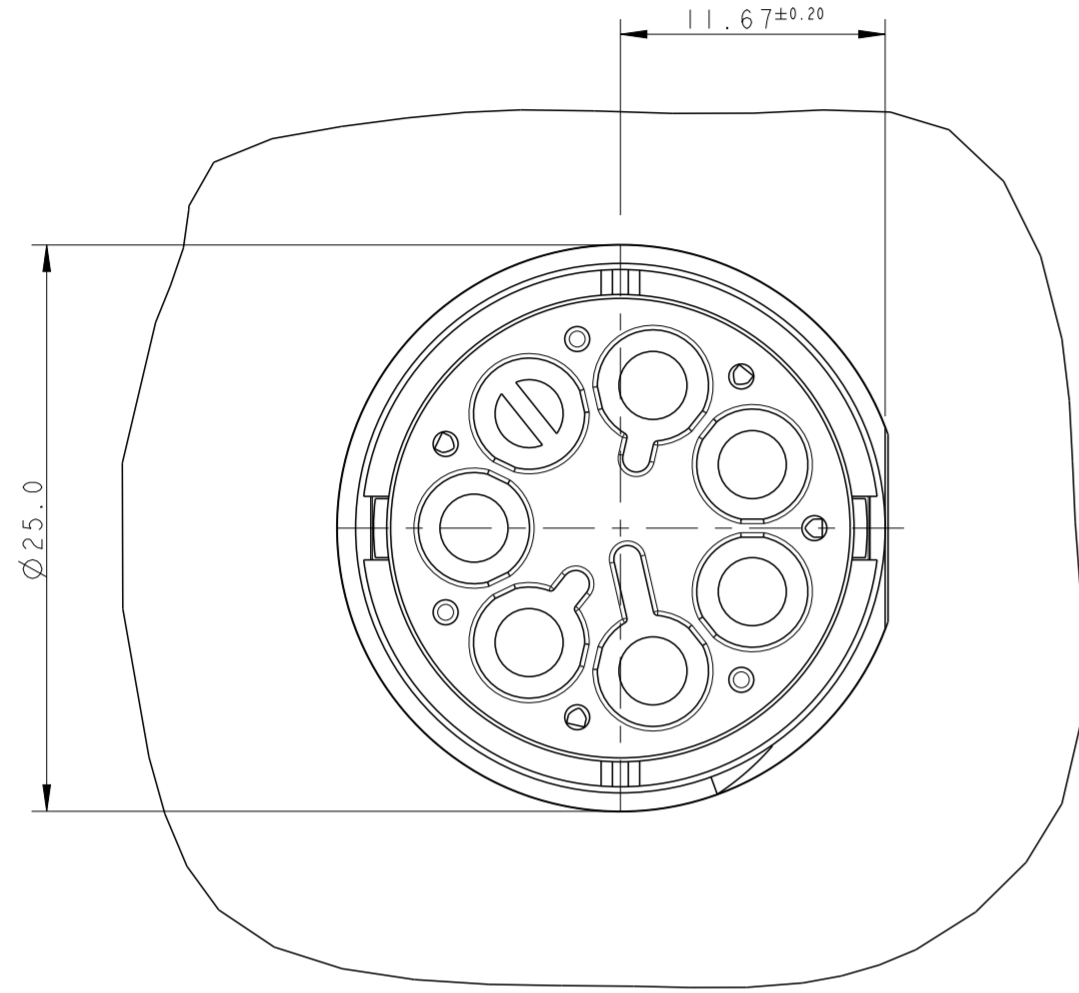
NOTE	POL. KEYING	COLOUR	DESCRIPTION	REV.	P/N
△	E	BLACK	PIN HSG 6 POLES PANEL MOUNT NECTOR* M-LINE	A	1-293674-5
△	D	BLACK	PIN HSG 6 POLES PANEL MOUNT NECTOR* M-LINE	A	1-293674-4
△	C	BLACK	PIN HSG 6 POLES PANEL MOUNT NECTOR* M-LINE	A	1-293674-3
△	E	NATURAL	PIN HSG 6 POLES PANEL MOUNT NECTOR* M-LINE	A	0-293674-5
△	D	NATURAL	PIN HSG 6 POLES PANEL MOUNT NECTOR* M-LINE	A	0-293674-4
△	C	NATURAL	PIN HSG 6 POLES PANEL MOUNT NECTOR* M-LINE	A	0-293674-3

THIS DRAWING IS A CONTROLLED DOCUMENT.		DWN A. BERNARDI 31MAR2011	 TE Connectivity	
DIMENSIONS: mm		CHK M. ZUCCA 31MAR2011		
TOLERANCES UNLESS OTHERWISE SPECIFIED:		APVD G. TURCO 31MAR2011	NAME PIN HOUSING 6 POLES PANEL MOUNT M-LINE NECTOR	
0 PLC ± 1 PLC ±0.3 2 PLC ±0.20 3 PLC ± 4 PLC ± ANGLES ±3° FINISH		PRODUCT SPEC 108-20324	RESTRICTED TO	
MATERIAL		APPLICATION SPEC 114-20169	SIZE A200779	CAGE CODE C-293674
-		WEIGHT -	SCALE 3:1	SHEET 2 OF 3
-		Customer Drawing	REV A	

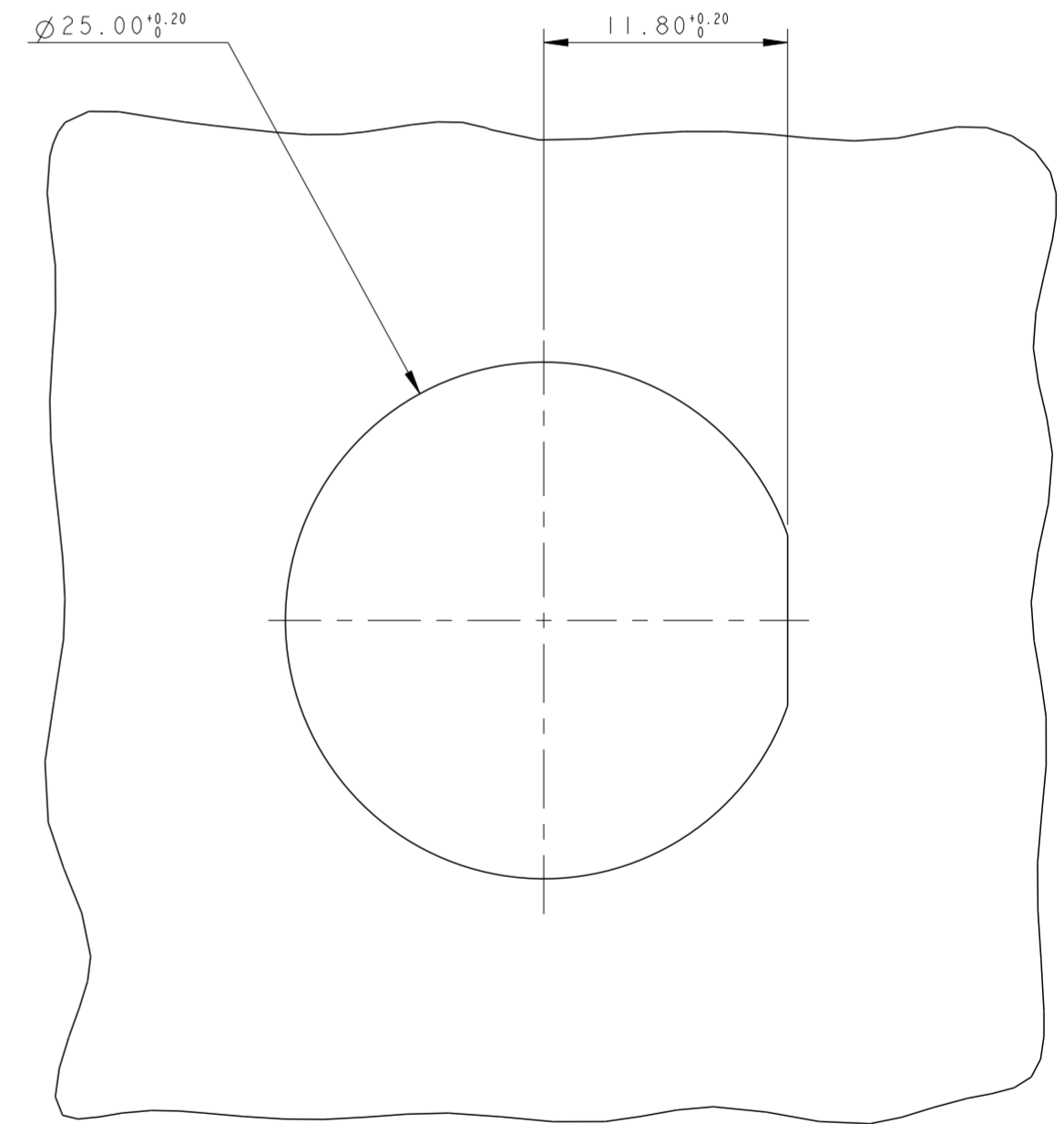
THIS DRAWING IS UNPUBLISHED. RELEASED FOR PUBLICATION 2011
 © COPYRIGHT 2011 BY - ALL RIGHTS RESERVED.

LOC		DIST		REVISIONS			
P	LTR	DESCRIPTION	DATE	DWN	APVD		
-	-	SEE SHEET 1	-	-	-		

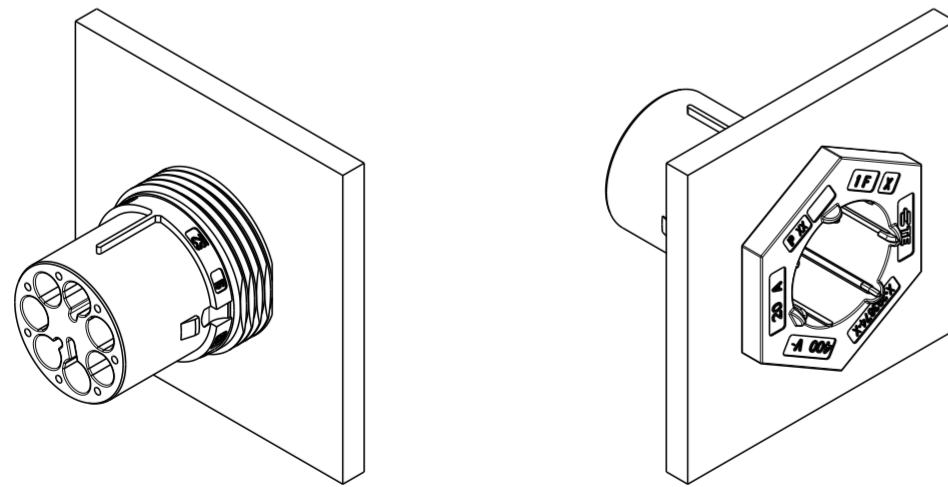
PN 293674-3 AS SHOWN



PANEL/WALL SUGGESTED LAYOUT



3D VIEWS
 FOR REFERENCE ONLY
 PN 293674-3 AS SHOWN



SCALE 1:1

THIS DRAWING IS A CONTROLLED DOCUMENT.		DWN A. BERNARDI	31MAR2011	 TE Connectivity	NAME PIN HOUSING 6 POLES PANEL MOUNT M-LINE NECTOR
DIMENSIONS: mm		CHK M. ZUCCA	31MAR2011		
TOLERANCES UNLESS OTHERWISE SPECIFIED:		APVD G. TURCO	31MAR2011		
0 PLC ± 1 PLC ±0.3 2 PLC ±0.20 3 PLC ± 4 PLC ± ANGLES ±3° FINISH		PRODUCT SPEC 108-20324	APPLICATION SPEC 114-20169		
MATERIAL	-	WEIGHT	-	SIZE A200779	CAGE CODE C-293674
Customer Drawing				SCALE 3:1	SHEET 3 OF 3
				REV A	RESTRICTED TO