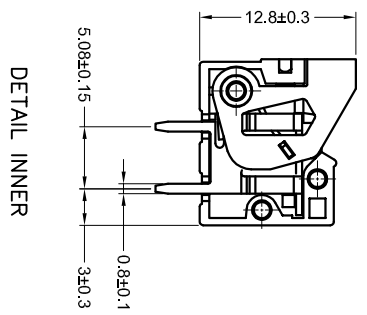
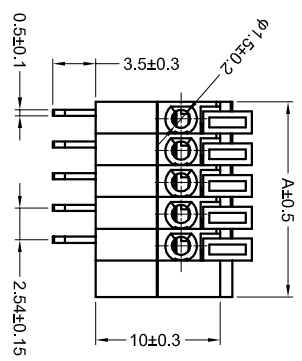
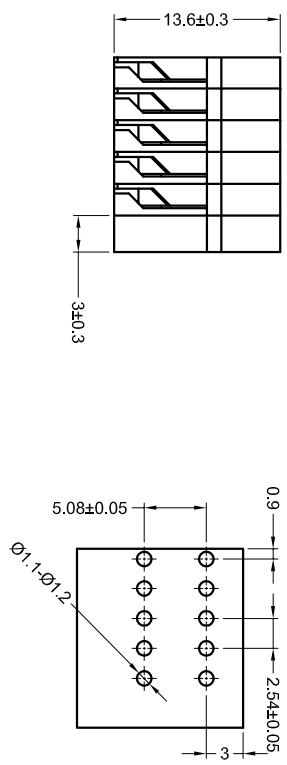


REVISIONS				
NO.	DATE	BY	APP'D	DESCRIPTION
1	13JAN2015	GF	SM	FIRST VERSION

NOTES :

- △ MATERIALS AND FINISH:
 - HOUSING: PA66
 - CONTACTS: COPPER ALLOY, FINISH: TIN OVER NICKEL UNDERPLATE
 - SPRING: STAINLESS STRIP STEEL

2. MUST COMPLY WITH DIRECTIVE 2002/95/EC (ROHS)
3. WIRE TYPES AND SIZES ACCEPTED
 WIRE RANGE: 20AWG~26AWG.
 STRIP LENGTH: 9.5mm~10.5mm
4. PACKAGED IN TRAY.
5. CURRENT RATING: 6Amp AC150V.
6. OPERATION TEMPERATURE: -40°C TO +105°C



COLOR CODE: _____ PIN No: _____

- | | |
|----------|----------|
| 1=GREEN | 2=2 POSN |
| 2=BLUE | 3=3 POSN |
| 3=BROWN | 4=4 POSN |
| 4=ORANGE | 5=5 POSN |
| 5=GREY | 6=6 POSN |
| 6=RED | 7=7 POSN |
| 7=YELLOW | 8=8 POSN |
| 8=PURPLE | |
| 9=WHITE | |
| 0=BLACK | |

REMARK: THE DIFFERENT COLORS COULD BE COMBINED TO THE NEW CONNECTOR P/Ns FOR CUSTOMER REQUEST.

23.32	8 POSN	A	NO. OF POSITIONS
20.78	7 POSN		
18.24	6 POSN		
15.70	5 POSN		
13.16	4 POSN		
10.62	3 POSN		
8.08	2 POSN		

THIS DRAWING IS A CONTROLLED DOCUMENT

DESIGNER	CHK	DATE	REV
SHI MING	13JAN2015		
PRODUCT NAME	PRODUCT CODE	VERSION	
108-137080	114-137080		

2.54mm Pitch Modular Screwless Conn.

SIZE: A2 CODE: 00779 ©-2834016

SCALE: 1:1 SHEET: 1 OF 1 REV: A

