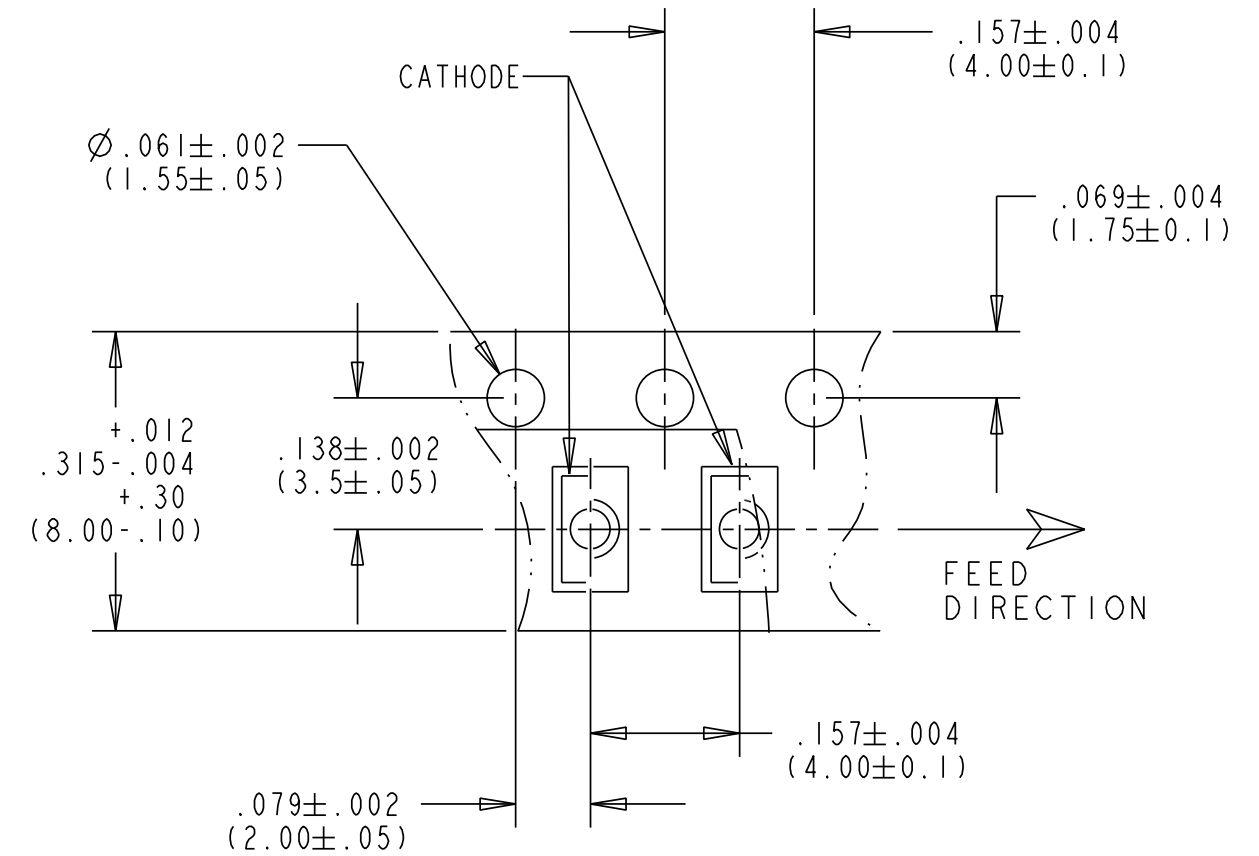
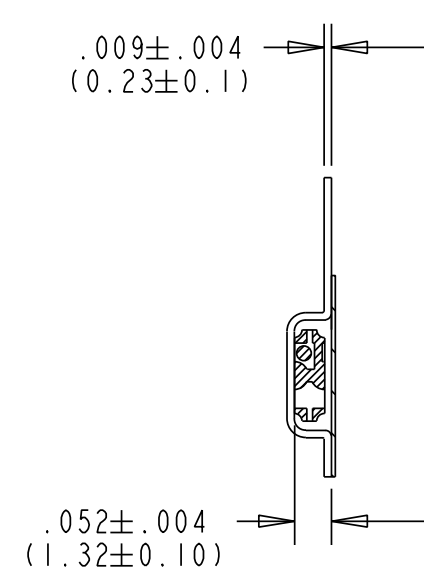
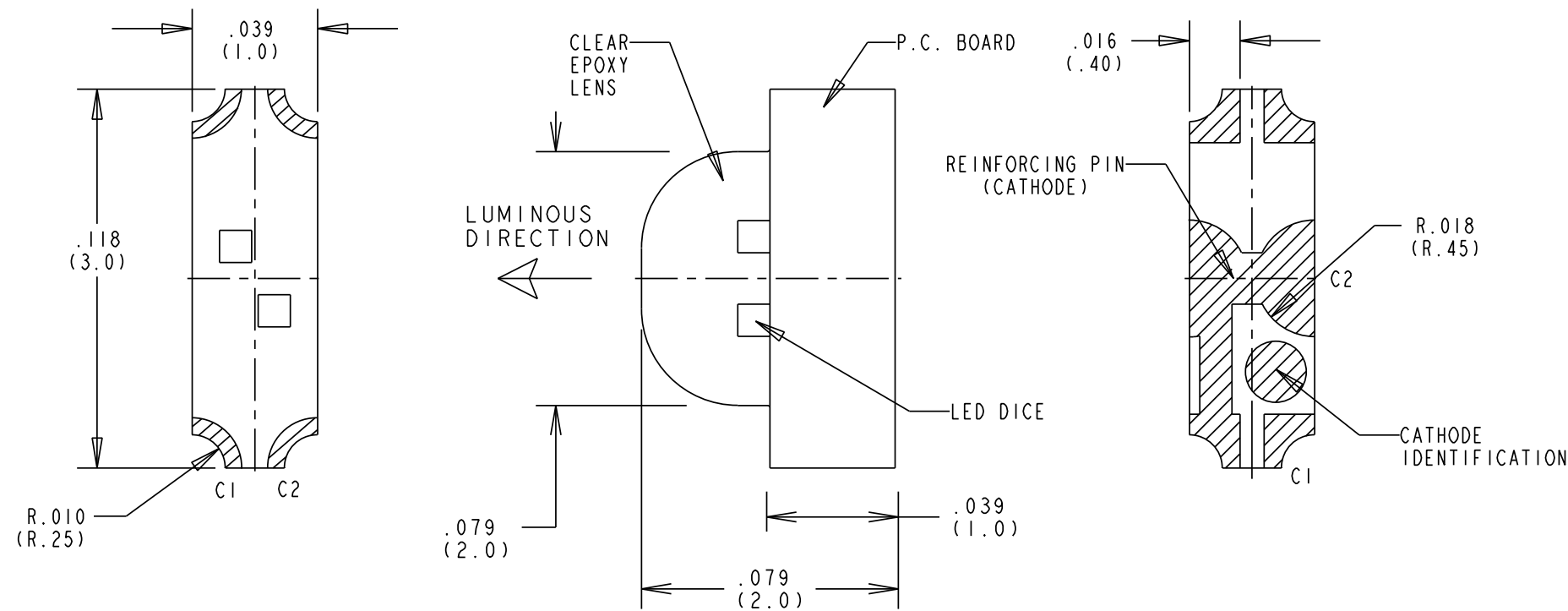
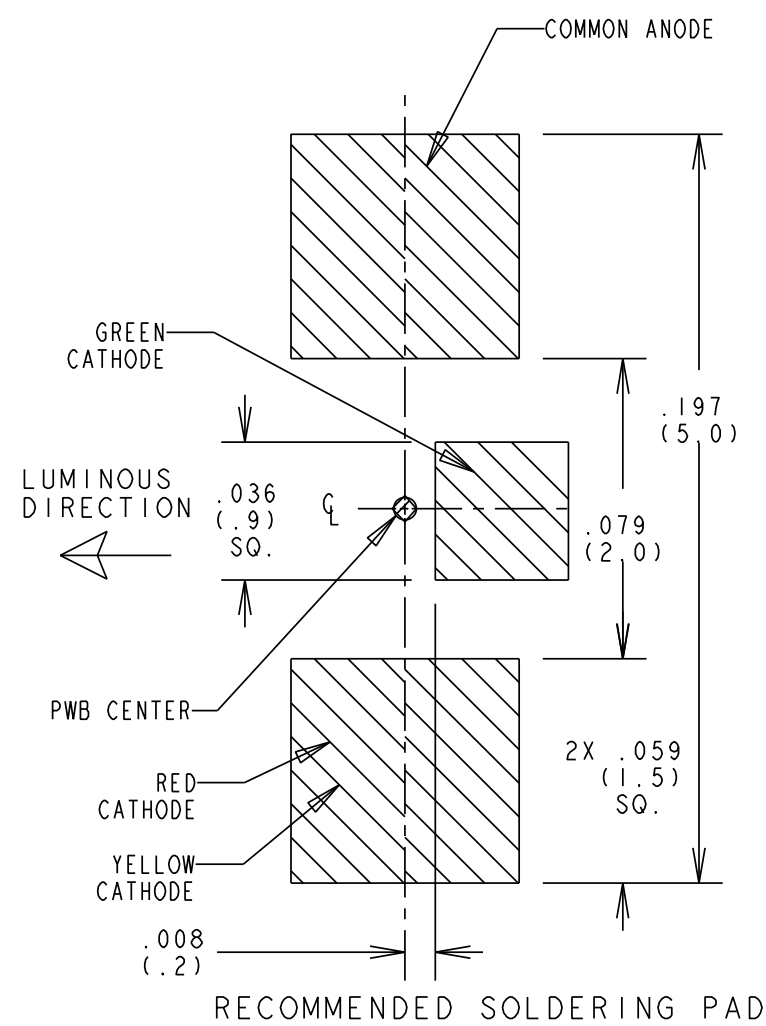
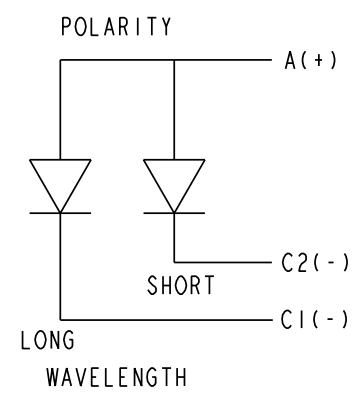


DIALIGHT CATALOG P/N	COLOR WATER CLEAR EPOXY LENS	DOMINANT WAVELENGTH $I_f = 20\text{mA}$ (nm)	PEAK EMISSION WAVELENGTH $I_f = 20\text{mA}$ λ_{PK} (nm)	SPECTRAL LINE HALF WIDTH $\Delta\lambda$ (nm) $I_f = 20\text{mA}$ TYP	LUMINOUS INTENSITY (mcd) @ $I_f = 20\text{mA}$; 25°C		FORWARD VOLTAGE (V) @ $I_f = 20\text{mA}$; 25°C		REVERSE CURRENT (μA); 25°C	VIEWING ANGLE (2θ) 1/2 (DEG.)
					MIN.	TYP.	TYP.	MAX.	MAX.	TYP.
597-2723-607F	GREEN	571	574	15	20.0	35.0	2.0	2.4	100 @ $V_R = 5\text{V}$	130
597-2723-602F	YELLOW	589	591	15	20.0	30.0	2.0	2.4	100 @ $V_R = 5\text{V}$	130
597-2751-602F	RED	631	639	20	18.0	45.0	2.0	2.4	10 @ $V_R = 5\text{V}$	130
597-2751-607F	GREEN	571	574	15	18.0	35.0	2.0	2.4	10 @ $V_R = 5\text{V}$	130

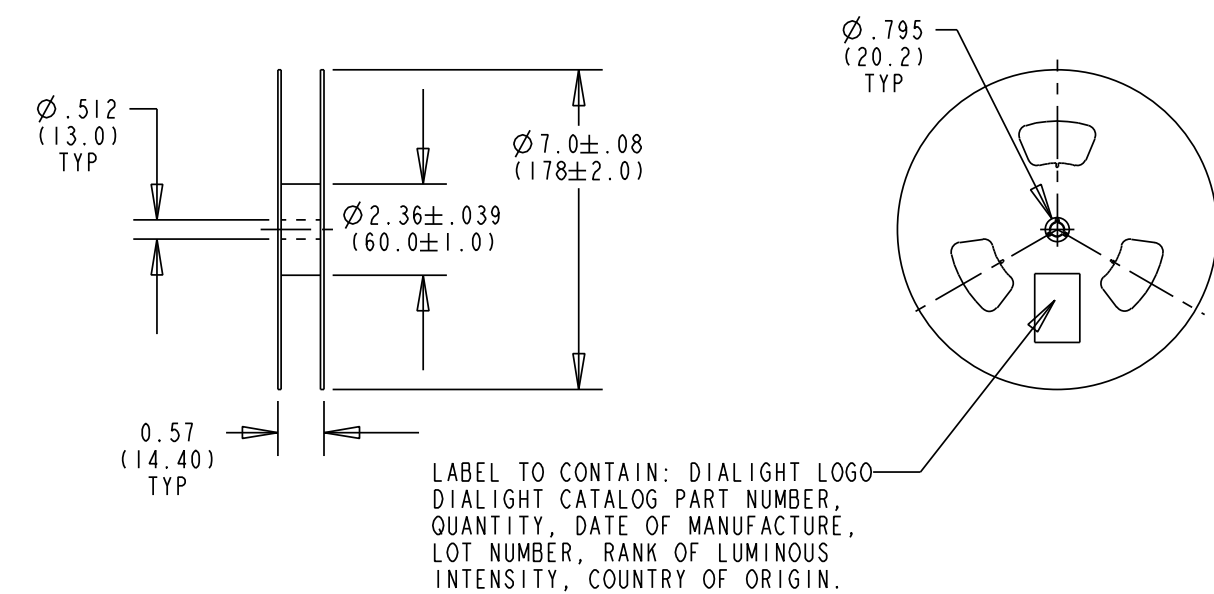
REV	ECN NO	REVISIONS	DRN	CKD	APP	DATE
A		NEW RELEASE	JMC	N.O.	MES	2-20-04
B		ADDED P/N 597-2751-602, -607; 597-2723-602; ADDED ESD NOTE & LOGO; REMOVED "QA" & "CM" COLUMNS FROM REVISION BLOCK	TWC			



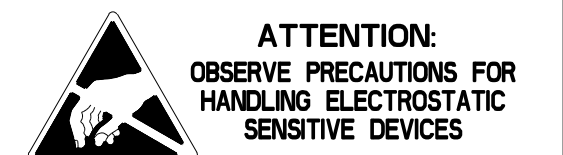
TAPING SPECIFICATION
NO SCALE



RECOMMENDED SOLDERING PAD



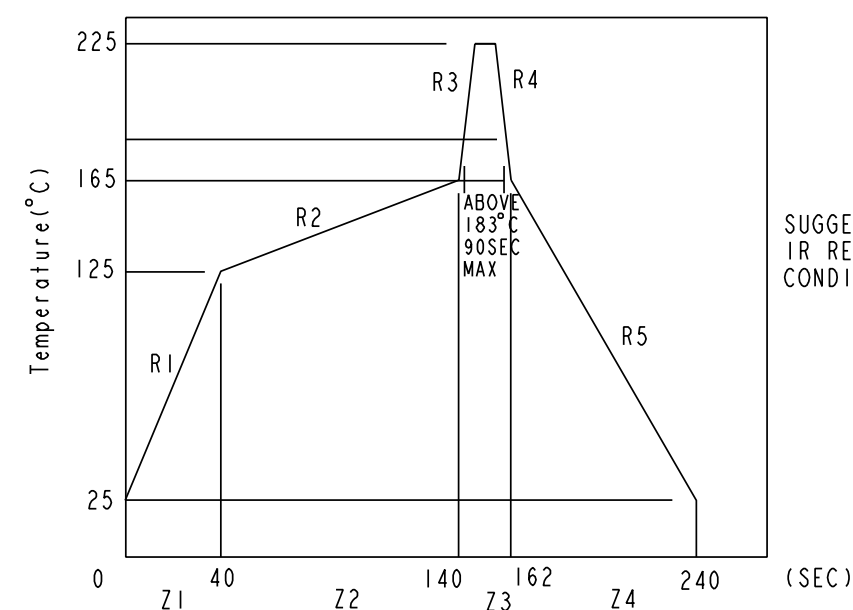
(QUANTITY: 3,000 PCS/REEL)
REEL SPECIFICATION
NO SCALE



NOTES:

1. AlInGaP FOR RED, GREEN, YELLOW
2. EPOXY COLOR: WATER CLEAR.
3. SOLDER PAD: COPPER BASE, GOLD PLATED.
4. SOLDER ADHERANCE PER MIL. STD. 202E, METHOD 208C.
5. PARTS TAPED AND REELED PER ANSI/EIA 481-1-A-1994 SPECS.
6. PARTS SUPPLIED 3,000 PIECES PER REEL WITH ALL PARTS ON ONE REEL FROM SAME LOT AND SAME BIN CATEGORY.
7. REEL PACKED IN ANTI-HUMIDITY ALUMINIUM FOIL BAG, HEAT SEALED WITH SILICA GEL. LABEL ON BAG TO CONTAIN SAME INFORMATION AS LABEL ON REEL.
8. DEVICE HAS A MOISTURE SENSITIVITY LEVEL "4" CAUTION LABEL APPLIED AS PER JEDEC STD. .033.
9. STORAGE CONDITION: 5 TO 30°C @ 70% RH MAX. BAKING IS REQUIRED IF THE PACK HAS BEEN OPENED FOR 72 HOURS OR MORE. BAKING RECOMMENDED CONDITION: 60±5°C FOR 24 HOURS.
10. TAPE AND REEL LED'S MAY REQUIRE RE-TAPING AFTER TWELVE MONTHS.
11. DIALIGHT PART NUMBER: 597-2723-607, -602; 597-2751-607, -602
12. THIS ASSEMBLY CONTAINS ELECTROSTATIC DISCHARGE SENSITIVE DEVICES (ESDS). MAINTAIN ALL PRECAUTIONARY MEASURES DURING ASSEMBLY, HANDLING AND STORAGE IN ACCORDANCE WITH IPC-A-610.

ABSOLUTE MAXIMUM RATINGS AT 25°C.	GREEN	YELLOW	RED	UNITS
POWER DISSIPATION	75	75	75	mW
PEAK FORWARD CURRENT (1/10 DUTY CYCLE, 0.1ms PULSE WIDTH)	80	80	80	mA
DC FORWARD CURRENT	30	30	30	mA
DERATING LINEAR FROM 50°C, RED 25°C	0.4	0.4	0.4	mA/°C
REVERSE VOLTAGE	5	5	5	V
OPERATING TEMPERATURE RANGE	-55 TO +85			°C
STORAGE TEMPERATURE	-55 TO +85			°C
INFRARED SOLDERING CONDITION	260°C FOR 5 SECONDS			



SUGGESTED IR REFLOW CONDITION

THIS DRAWING AND THE CONTENTS HEREIN ARE CONFIDENTIAL AND THE SOLE PROPERTY OF DIALIGHT. REPRODUCTION OF THIS DRAWING OR CONSTRUCTION OF ANY PARTS WITHIN THIS DRAWING ARE FORBIDDEN WITHOUT THE WRITTEN CONSENT OF DIALIGHT.		
SCALE: 20:1	DRAWING NUMBER	REV
ALL DIM'S IN: INCHES (MM)	C-17135	B
TOLERANCES: UNLESS OTHERWISE SPECIFIED	TITLE: RIGHT ANGLE SURFACE MOUNT LED	
FRACTIONS: ±1/64	MATERIAL	
DECIMALS (.XX): ±.01		
DECIMALS (.XXX): ±.005		
DECIMALS (.XXXX): ±.0005		
ANGLES: ±1°		
FINISH:	Dialight	
FSCM 83330	1501 ROUTE 34 SOUTH FARMINGDALE, NJ 07727	
SHEET 1 OF 1	FAMILY TABLES:	