

4

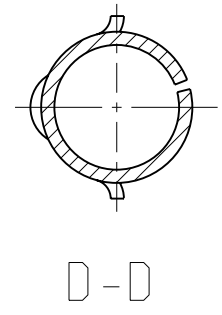
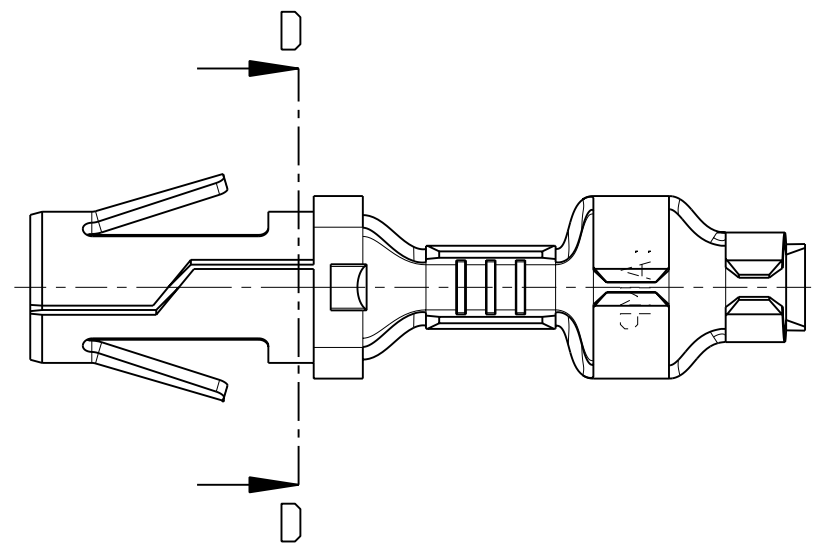
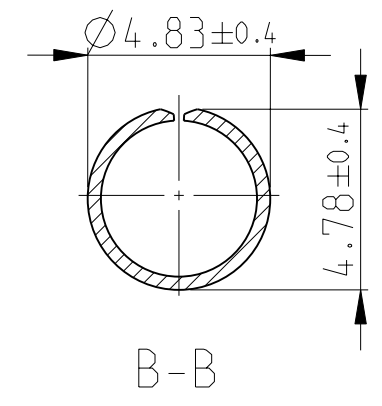
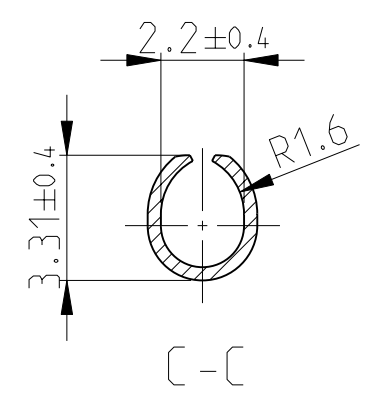
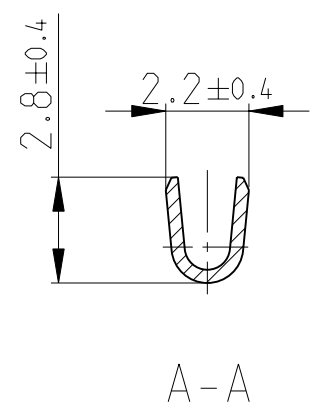
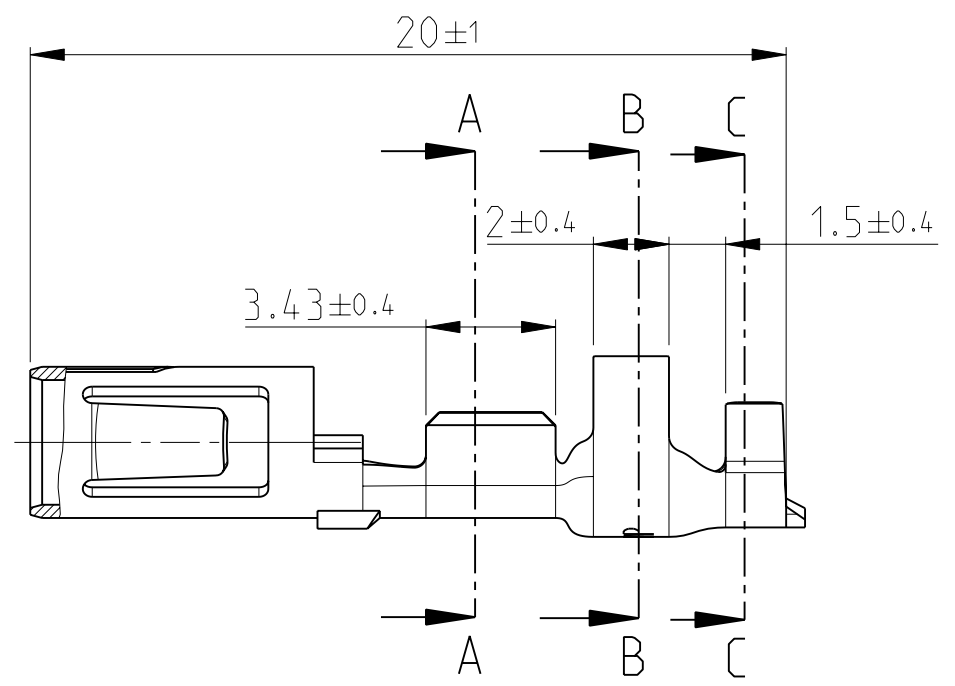
3

2

1

THIS DRAWING IS UNPUBLISHED. RELEASED FOR PUBLICATION 2008
 © COPYRIGHT 2008 ALL RIGHTS RESERVED.

LOC	DIST	REVISIONS				
P	LTR	DESCRIPTION	DATE	DWN	APVD	
AL	2	A	New drawing released	25NOV2008	J.S	P.E.G
		A1	ECR-10-026307	15JUN11	KK	HMR



Cross section in mm ²		0.5	0.75	1.0	1.5	2.0	2.5	3.0	4.0	6.0
Single connection		X	X							
0.5	X	X								
0.75	X									
1.0	X									
1.5										
2.0										
2.5										
3.0										
4.0										
6.0										

Terminal conductor: FLK-Cable
 Conductor : F-Crimp
 Insulation : O-Crimp

Wire size: 0.5-1.0 mm²

OBSOLETE	Silver	Phosphor Bronze	927844-4
	Plain	Phosphor Bronze	927844-3
	Pre-tin	Phosphor Bronze	927844-2
	Pre-tin	Brass	927844-1
	Finish	Material	Part no.

THIS DRAWING IS A CONTROLLED DOCUMENT.

DIMENSIONS: mm

TOLERANCES UNLESS OTHERWISE SPECIFIED:

0 PLC	±
1 PLC	±0.2
2 PLC	±
3 PLC	±
4 PLC	±
ANGLES	±1° 30'
FINISH	see table

MATERIAL see table

DWN J. Salo 25NOV2008
 CHK R. Sole 25NOV2008
 APVD P.F.Grassano 25NOV2008
 PRODUCT SPEC -
 APPLICATION SPEC -
 WEIGHT -

STE TE Connectivity

NAME .140 DIA SOCKET

SIZE A3 CAGE CODE - DRAWING NO ©927844 RESTRICTED TO -

CUSTOMER DRAWING SCALE 5:1 SHEET 1 OF 1 REV A1