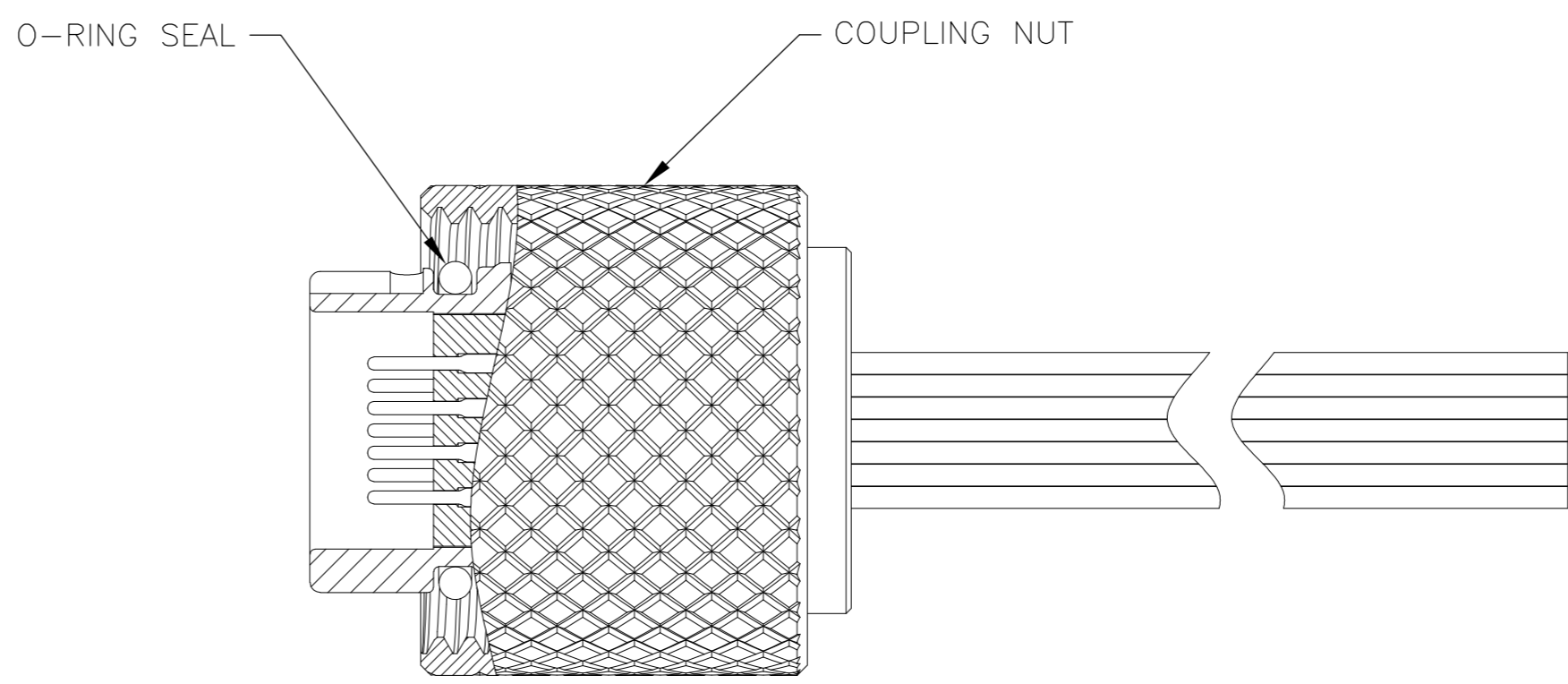
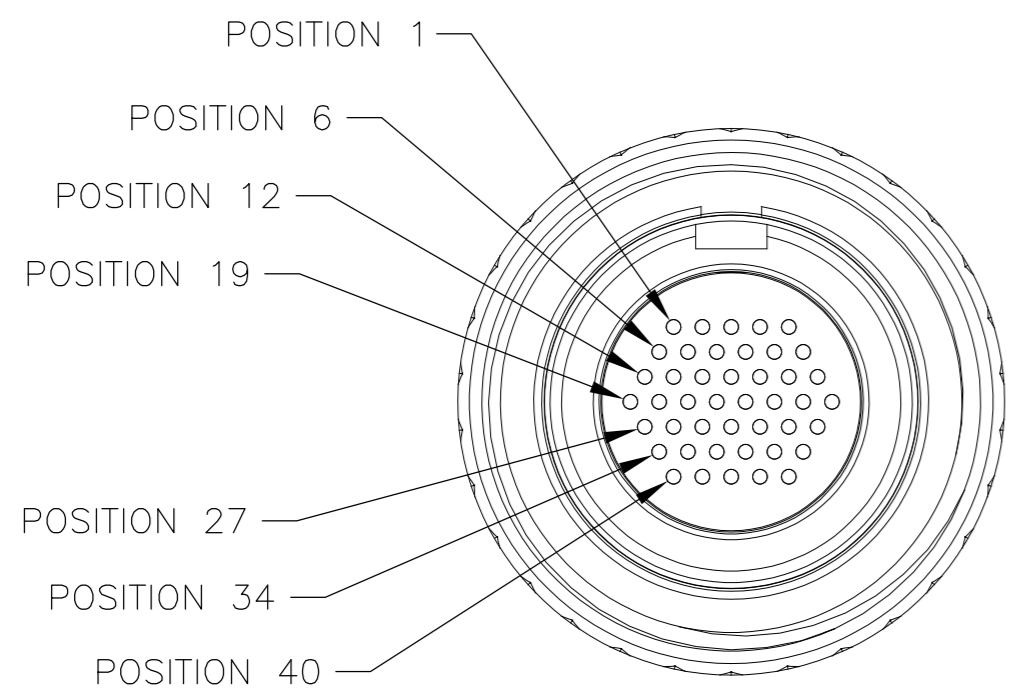
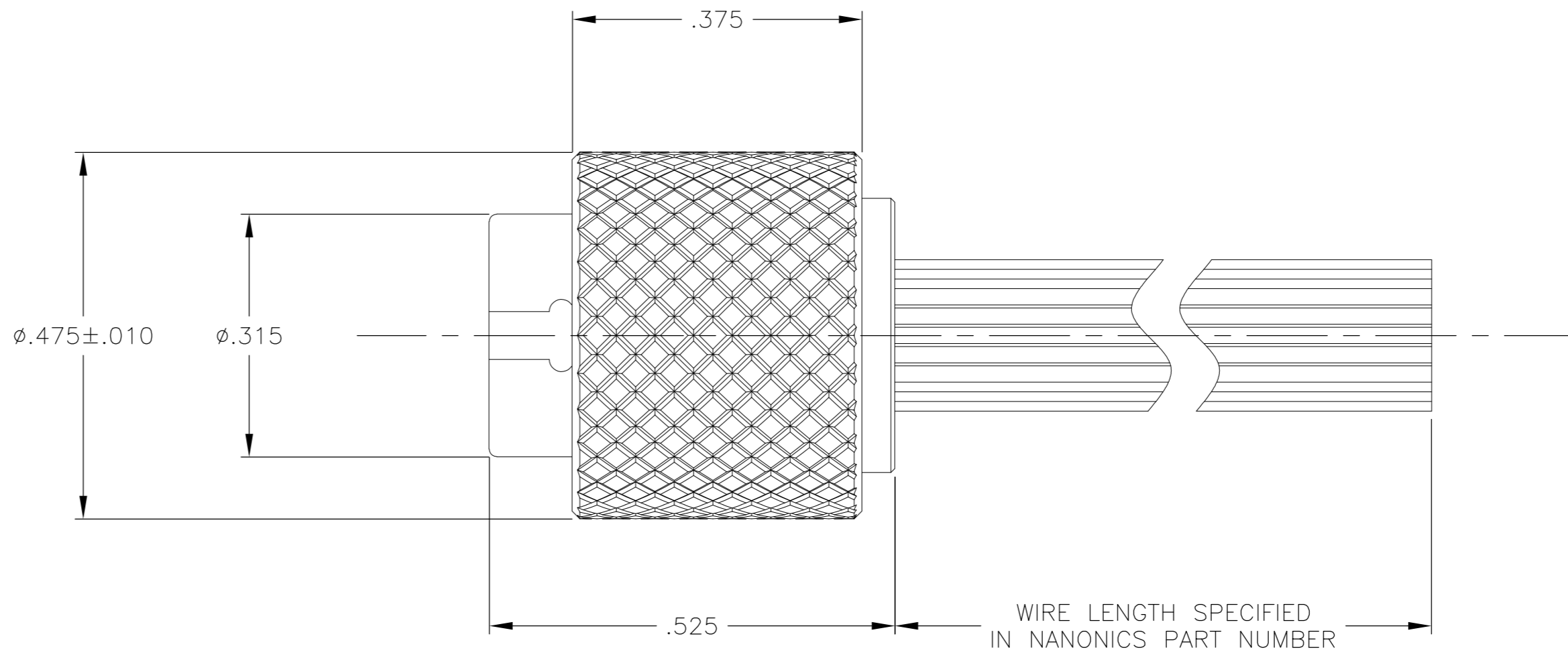
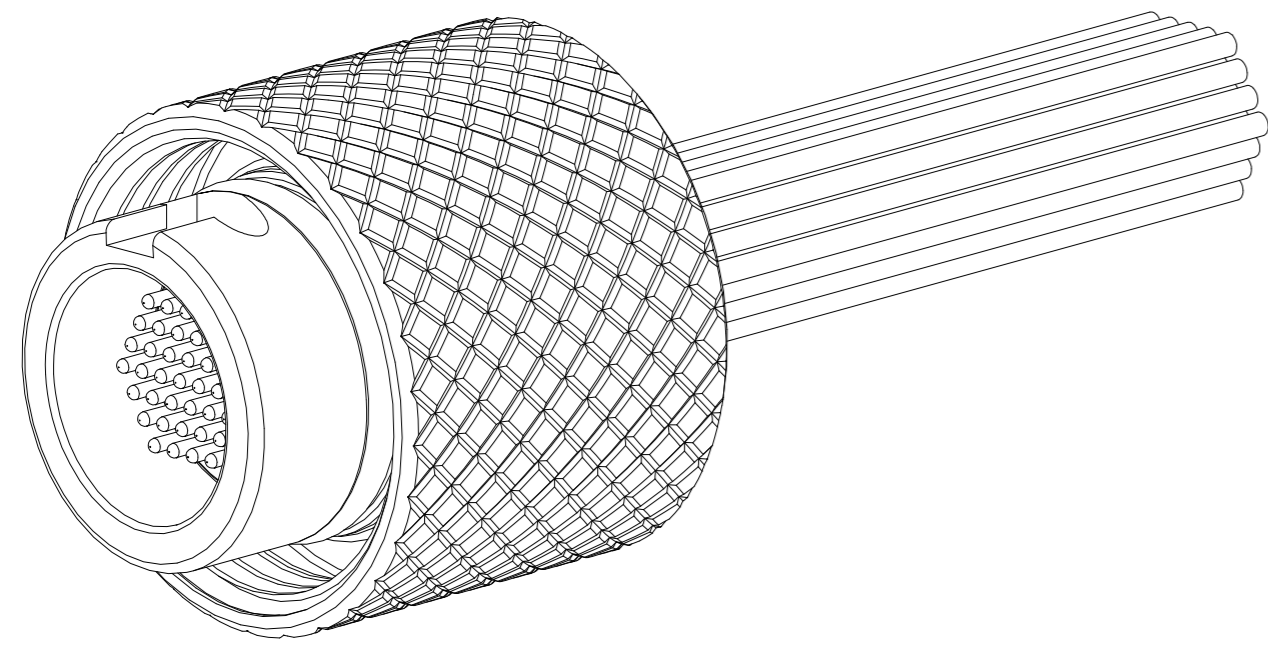


THIS DRAWING IS UNPUBLISHED. RELEASED FOR PUBLICATION  
 © COPYRIGHT - By - ALL RIGHTS RESERVED.

LOC		DIST		REVISIONS			
P	LTR	DESCRIPTION	DATE	DWN	APVD		
	H	UPDATE PER ECO-11-013056	23 JUN 11	CAS	MKS		



1 CONNECTOR BODY AND COUPLING NUT MATERIAL: 6061-T6 ALUMINUM, ELECTROLESS NICKEL PLATED PER SAE-AMS-C-26074 OR SAE-AMS-2404E  
 LOCKING RING MATERIAL: BERYLLIUM COPPER, ELECTROLESS NICKEL PLATED PER SAE-AMS-C-26074 OR SAE-AMS-2404E  
 INSULATOR MATERIAL: LIQUID CRYSTAL POLYMER (LCP) PER ASTM D5138 OR POLYPHENYLENE SULFIDE (PPS) PER ASTM D4067  
 O-RING MATERIAL: FLUOROSILICONE

2 WIRE TERMINATION: 28 AWG SOLID, 30 AWG STRANDED WIRE OR SMALLER  
 3 LUBRICATE O-RING WITH PARKER SUPER-O-LUBE PRIOR TO INSTALLATION  
 4 THIS DRAWING ALSO IDENTIFIED AS NANONICS 303-0034

THIS DRAWING IS A CONTROLLED DOCUMENT.		DWN	M. STORRY	20 MAY 99		TE Connectivity											
DIMENSIONS: INCHES		CHK	E. PAULUS	11 JUN 99		NAME											
		APVD	S. KAIN	27 JAN 00		PLUG ASSEMBLY, CIRCULAR, THREADED COUPLING, METAL, 44 POSITION											
TOLERANCES UNLESS OTHERWISE SPECIFIED:		PRODUCT SPEC		RESTRICTED TO													
MATERIAL SEE NOTES		FINISH SEE NOTES		APPLICATION SPEC		SIZE	A2	CAGE CODE	0PJN9	DRAWING NO	C=1589065	SCALE	6:1	SHEET	1 OF 1	REV	H
CUSTOMER DRAWING		WEIGHT		-		SCALE		6:1		SHEET		1 OF 1		REV		H	