

Metal Switch, Latching Action, Switching Voltage up to 125 VDC / 250 VAC



Metal Switch with ceramic actuator  
 Surface backlighting  
 white



Metal Switch with ceramic actuator  
 Surface backlighting  
 red



Newly available with bright illumination

See below:

**Approvals and Compliances**

**Description**

- Switch available in version: Standard (ST), with Lettering (LE), with area illumination (AI)
- Available with bright illumination
- Available with 12 A and 16 A switching current Assembly by mounting with nut and subsequent clipping of the switching element
- Equipped with flat-pin plugs to permit fast connection

**Characteristics**

- Housing material: high-quality stainless steel, actuator material: highly durable ceramic
- with or without surface backlighting in different colours
- Switching voltage up to 125 VDC respectively 250 VAC, switching current up to 16 A
- available with single-pole and double-pole switching system, switching status is easy to discern by looking at or feeling the resting position of the actuator
- For use in harsh environments (see technical data)

**References**

- Alternative: Standard version [MSM 16](#)
- Alternative: double-pole switch: [MSM DP 19](#); [MSM DP 22](#); [MSM DP 30](#)
- Alternative: Other diameter [MSM LA CS 22](#)
- Alternative: switch with latching function:

**Weblinks**

- [pdf data sheet](#), [html datasheet](#), [General Product Information](#), [CAD-Drawings](#), [Product News](#), [Detailed request for product](#), [Video](#)

**Technical Data**

**Electrical Data**

Switching Function	latching
Number of Poles	SPST, DPST
Supply Voltage	24 VDC Surface backlighting
Impulse Withstand Voltage (ESD)	4 kV MSM LA CS ST
Switching Voltage	max. 250 VAC, 30 VDC (125 VDC at 0.5 A)
Switching Current	12 A AC / 16 A AC
Rated Switching Capacity	3000 W
Lifetime	0.05 million actuations (250 VAC / 8 A), 0.1 million actuations (125 VDC / 0,5 A), 0.02 million actuations (250 VAC / 16 A)
Contact Resistance	< 100mΩ (12 VDC / 1 A)
Insulation Resistance	> 100 MΩ 500 VDC

**Mechanical Data**

Actuating Force	10 N
Actuating Travel	5.2 mm,
Lifetime	0.1 million actuations
Contact Gap	3 mm
Shock Protection	IK 07
Mounting screw torque Plastic Nut	max. 4.5 Nm
Mounting screw torque Stainless Steel Nut	max. 12 Nm

**Climatical Data**

Operating Temperature	-20 to 85 °C
Storage Temperature	-20 to 85 °C
Protection Class	IP64
Switching Unit	IP40
Salt Spray Test (acc. to DIN 50021-SS)	24 h / 48 h / 96 h Residence Time

**Material**

Housings	Stainless Steel
Actuator (disc, outside housing)	Ceramics
Seal Ring	NBR70
Switcher Collet	PA66 (UL94-V0 related to d ≥ 1.6 mm)
Intermediate Connector	PA66 (UL94-V0 related to d ≥ 1.6 mm)
Contact Pin Adapter	PA66 (UL94-V0 related to d ≥ 1.6 mm)

**Approvals and Compliances**

Detailed information on product approvals, code requirements, usage instructions and detailed test conditions can be looked up in [Details about Approvals](#)

SCHURTER products are designed for use in industrial environments. They have approvals from independent testing bodies according to national and international standards. Products with specific characteristics and requirements such as required in the automotive sector according to IATF 16949, medical technology according to ISO 13485 or in the aerospace industry can be offered exclusively with customer-specific, individual agreements by SCHURTER.


## Product standards

Product standards that are referenced

Organization	Design	Standard	Description
	Designed according to	DIN EN 61058-1	Switches for appliances. Part 1. General requirements
	Designed according to	UL 1054	UL standard for safety special-use switches



## Application standards

Application standards where the product can be used

Organization	Design	Standard	Description
	Designed for applications acc.	IEC/UL 62368-1	IEC 62368-1 includes the basic requirements for safety of audio, video, information technology and office equipment.

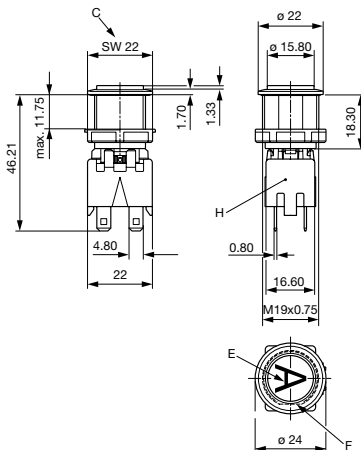
## Compliances

The product complies with following Guide Lines

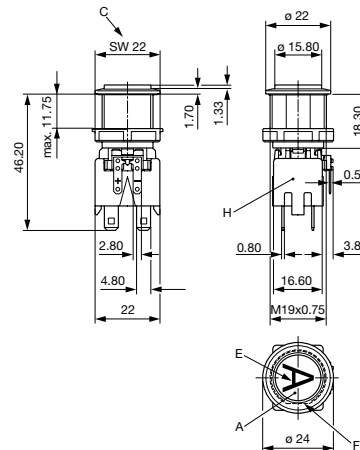
Identification	Details	Initiator	Description
	RoHS	SCHURTER AG	Directive RoHS 2011/65/EU, Amendment (EU) 2015/863
	REACH	SCHURTER AG	On 1 June 2007, Regulation (EC) No 1907/2006 on the Registration, Evaluation, Authorization and Restriction of Chemicals 1 (abbreviated as "REACH") entered into force.

## Dimension [mm]

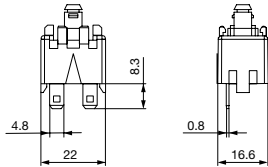
MSM 19 LA CS ST / double-pole



MSM 19 LA CS AI / double-pole



Switching Element single-pole with Push Button Holder



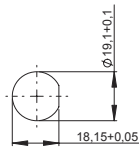
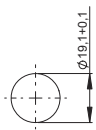
**Legend**

- A = Illumination Area
- C = Width Across Flats
- D = Knurled Nut
- E = Lettering
- F = Anti-Rotation
- H = Switching Element

**Dimension**

MSM 19 LA CS (without torsion protection)

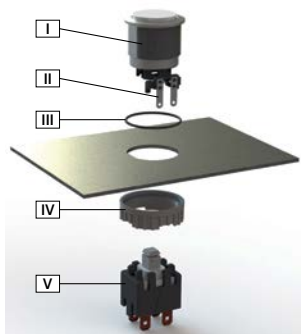
MSM 19 LA CS (with torsion protection)



Drilling diagram

Drilling diagram

**Assembly Instructions**



I Housing

II Flat Pin Terminal (Illumination)

III Gasket

IV Nut (Nut type see Dimensions)

V Module Switching Contact

Installation Instruction:

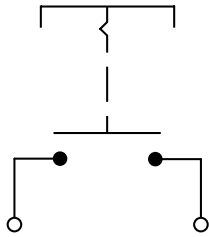
- 1.) Place the gasket accurately on the actuator housing. Then mount the actuator housing assembly into the panel.
- 2.) Tighten the screw nut according to the torque instructions.
- 3.) Clasp the module switching contact into the actuator housing.

Installation information:

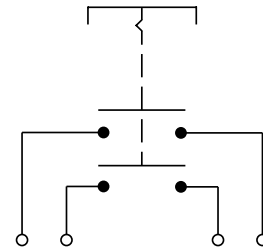
- 1.) The power supply and the configuration of the flat pin terminals have to be installed correctly for the illumination and micro switch function.
- 2.) Insulate the terminals as required. Fully insulated plug-in sleeves are recommended.
- 3.) Installation instructions according to VDE-standard DIN VDE 0100-100 or alternatively IEC 60354 standard

## Diagrams

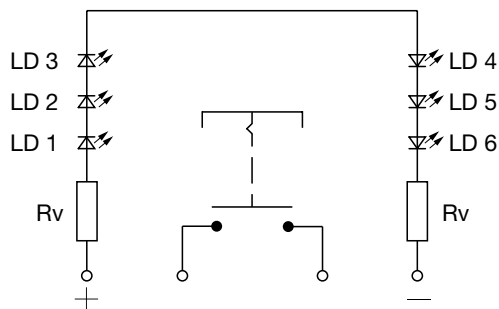
MSM LA CS ST / single-pole



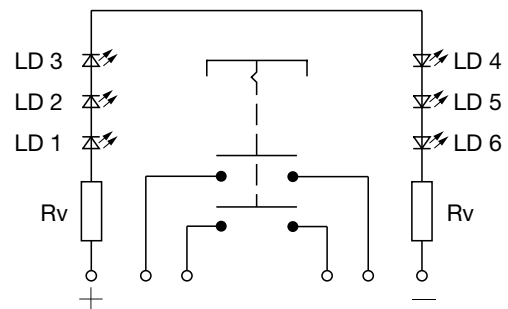
MSM LA CS ST / double-pole



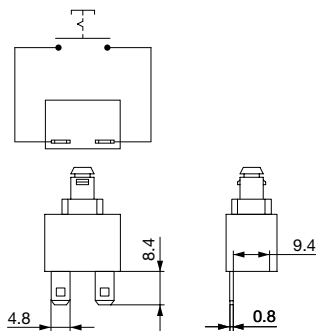
MSM LA CS AI / single-pole



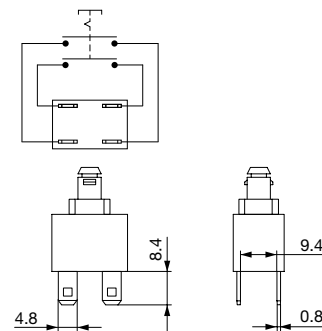
MSM LA CS AI / double-pole



Contact Layout single-pole



Contact Layout double-pole



## Lettering

The last three digits in the order number define the lettering:

000	No Lettering
001-074	Standard Lettering
101-	Customized Lettering

## Lettering Colour of Laser Lettering

Material	Lettering Colour
Ceramic	black Filled letters

**Order Index Lettering**

Laser Marking			
001 =A	021 =U	041 =÷	061 =EIN
002 =B	022 =V	042 =*	062 =AUS
003 =C	023 =W	043 ==	063 =AUF
004 =D	024 =X	044 =#	064 =AB
005 =E	025 =Y	045 =↔	065 =ON
006 =F	026 =Z	046 =↑	066 =OFF
007 =G	027 =0	047 =→	067 =UP
008 =H	028 =1	048 =←	068 =DOWN
009 =I	029 =2	049 =↓	069 =HIGH
010 =J	030 =3	050 =↑	070 =LOW
011 =K	031 =4	051 =%	071 =ON/OFF
012 =L	032 =5	052 =√	072 =START
013 =M	033 =6	053 =CTRL	073 =RESET
014 =N	034 =7	054 =RETURN	074 =🔌
015 =O	035 =8	055 =SHIFT	075 =💡
016 =P	036 =9	056 =LOCK	076 =🔒
017 =Q	037 =+	057 =STOP	077 =Ⓜ
018 =R	038 =-	058 =ENTER	
019 =S	039 =.	059 =BACK	
020 =T	040 =x	060 =LINE	

**All Variants**

Diameter	Number of Poles	Switching Current	Illumination, LED	Torsion Protection Housing/Actuator	Config. Code	Order Number
[mm]		[A]				
19	DPST	12	non-illuminated	yes / yes	MSM 19 LA CS Pcs	1241.7221.1120000
19	DPST	12	Backlighted, red, 24 VDC	yes / yes	MSM 19 LA CS Al red	1241.8550
19	DPST	12	Backlighted, green, 24 VDC	yes / yes	MSM 19 LA CS Al green	1241.8551
19	DPST	12	Backlighted, yellow, 24 VDC	yes / yes	MSM 19 LA CS Al yellow	1241.8552
19	DPST	12	Backlighted, blue, 24 VDC	yes / yes	MSM 19 LA CS Al blue	1241.8553
19	DPST	12	Backlighted, white, 24 VDC	yes / yes	MSM 19 LA CS Al white	1241.8554
19	DPST	12	Backlighted, orange, 24 VDC	yes / yes	MSM 19 LA CS Al orange	1241.8555
19	SPST	12	non-illuminated	yes / yes	MSM 19 LA CS Pcs	1241.7221.1110000
19	SPST	12	Backlighted, red, 24 VDC	yes / yes	MSM 19 LA CS Al red	1241.8544
19	SPST	12	Backlighted, green, 24 VDC	yes / yes	MSM 19 LA CS Al green	1241.8545
19	SPST	12	Backlighted, yellow, 24 VDC	yes / yes	MSM 19 LA CS Al yellow	1241.8546
19	SPST	12	Backlighted, blue, 24 VDC	yes / yes	MSM 19 LA CS Al blue	1241.8547
19	SPST	12	Backlighted, white, 24 VDC	yes / yes	MSM 19 LA CS Al white	1241.8548
19	SPST	12	Backlighted, orange, 24 VDC	yes / yes	MSM 19 LA CS Al orange	1241.8549
19	DPST	16	Backlighted, blue, 24 VDC	yes / yes	MSM 19 LA CS Al blue	3-101-010
19	DPST	16	Backlighted, white, 24 VDC	yes / yes	MSM 19 LA CS Al white	3-101-011
19	DPST	16	Backlighted, red, 24 VDC	yes / yes	MSM 19 LA CS Al red	3-101-023
19	DPST	16	Backlighted, green, 24 VDC	yes / yes	MSM 19 LA CS Al green	3-101-024
19	SPST	16	Backlighted, red, 24 VDC	yes / yes	MSM 19 LA CS Al red	3-101-005
19	SPST	16	Backlighted, green, 24 VDC	yes / yes	MSM 19 LA CS Al green	3-101-007
19	SPST	16	Backlighted, blue, 24 VDC	yes / yes	MSM 19 LA CS Al blue	3-101-009
19	SPST	16	Backlighted, white, 24 VDC	yes / yes	MSM 19 LA CS Al white	3-101-022

Legend:  
 Type:  
 MSMCS = Ceramic Surface  
 ST = Standard: not lettered  
 LE = Lettering: lettered  
 Al = BL = Full Surface Backlighting: Lettering possible (see Lettering, last 3 digits)

Diameter	Number of Poles	Switching Current	Illumination, LED	Torsion Protection Housing/Actuator	Config. Code	Order Number
[mm]		[A]				

Customer-specific versions available on request.  
 Special materials for use in salt and chlorinated environment on request.  
 The MOQ for standard laser lettering on standard variants is a packing unit.

5 VDC and 12 VDC RI variants on request (MOQ 500 pieces)

The nut with gasket and micro switch are enclosed in the box.

**Most Popular:**

Availability for all products can be searched real-time: <https://www.schurter.com/en/Stock-Check/Stock-Check-SCHURTER>

**Packaging unit** 10 in box with insert



- Actuating elements in ESD safe packaging
- Screw nuts and sealing rings in a bag (enclosed in the box)
- Micro switches (enclosed in the box)

## Accessories

Description



**Power Supply**  
 Power Supply IP42 for LED- and Illumination applications indoor 90~264 VAC => 24 VDC 0.34 A 8 W