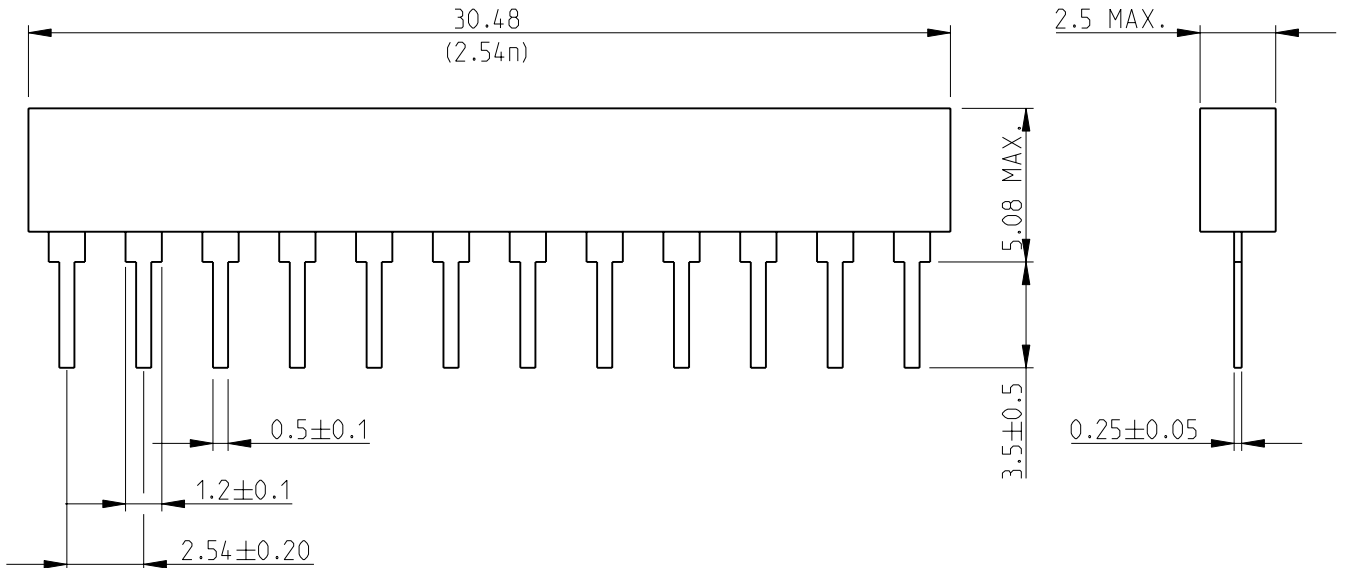
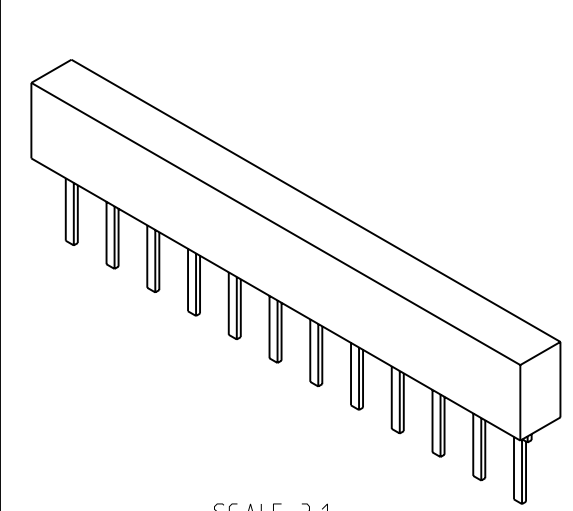


LOC	DIST	REVISIONS					
E	B	P	LTR	DESCRIPTION	DATE	DWN	APVD
		BA		NEW RELEASE	22-OCT-09	MRS	St.P



RoHS Compliant



SCALE 3:1

- n = NUMBER OF PINS
- FOR FURTHER INFORMATION SEE DATA SHEET FOR SERIES SIL, GENERAL PURPOSE RESISTOR NETWORKS

2009

RELEASED FOR PUBLICATION

THIS DRAWING IS UNPUBLISHED.

BY TYCO ELECTRONICS CORPORATION. ALL RIGHTS RESERVED.



DIMENSIONS:	DWN	22-OCT-09	MATERIAL	FINISH				
mm	MAHARUDRA		-	-				
TOLERANCES UNLESS OTHERWISE SPECIFIED:	CHK	22-OCT-09	Tyco Electronics Corporation Dorcan, Swindon, SN3 5HH					
0 PLC ±0.2	ALLAN.P							
1 PLC ±0.1	APVD	22-OCT-09	NAME GENERAL PURPOSE RESISTOR NETWORKS SIL12 RESISTOR NETWORKS					
2 PLC ±	STEPHEN.P							
3 PLC ±	PRODUCT SPEC		SIZE	CAGE CODE	DRAWING NO	RESTRICTED TO		
4 PLC ±	-		A 4	00779	©= 1622810	-		
ANGLES ±5°	APPLICATION SPEC		CUSTOMER DRAWING					
	WEIGHT	-	SCALE	4:1	SHEET	1 OF 1	REV	BA