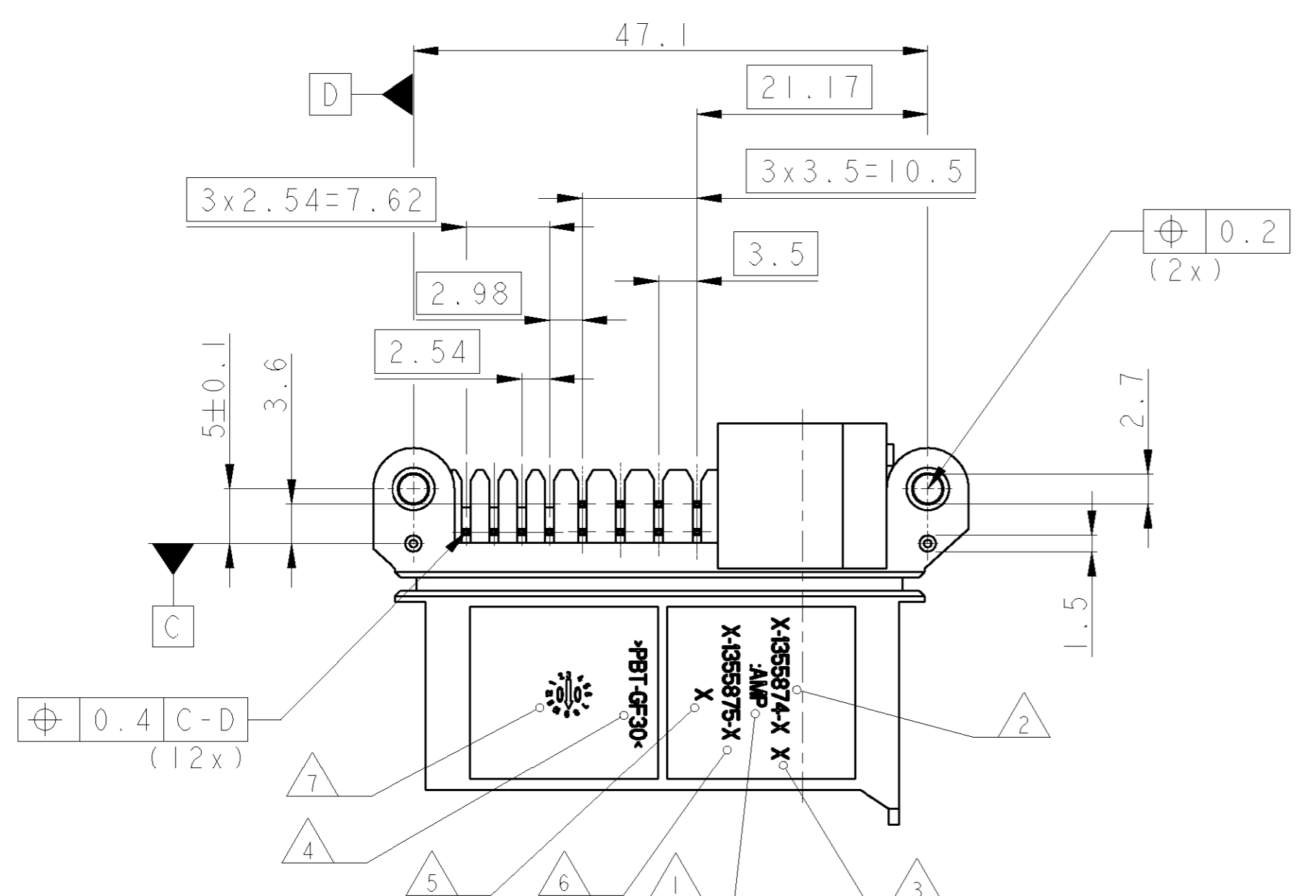
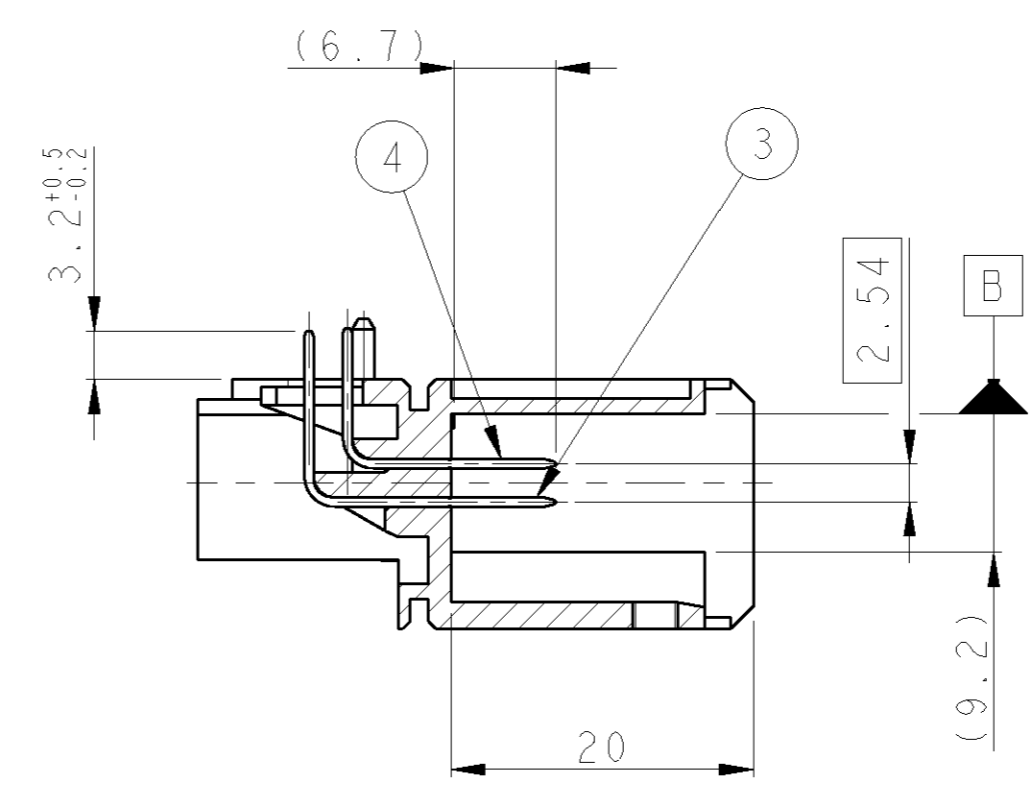
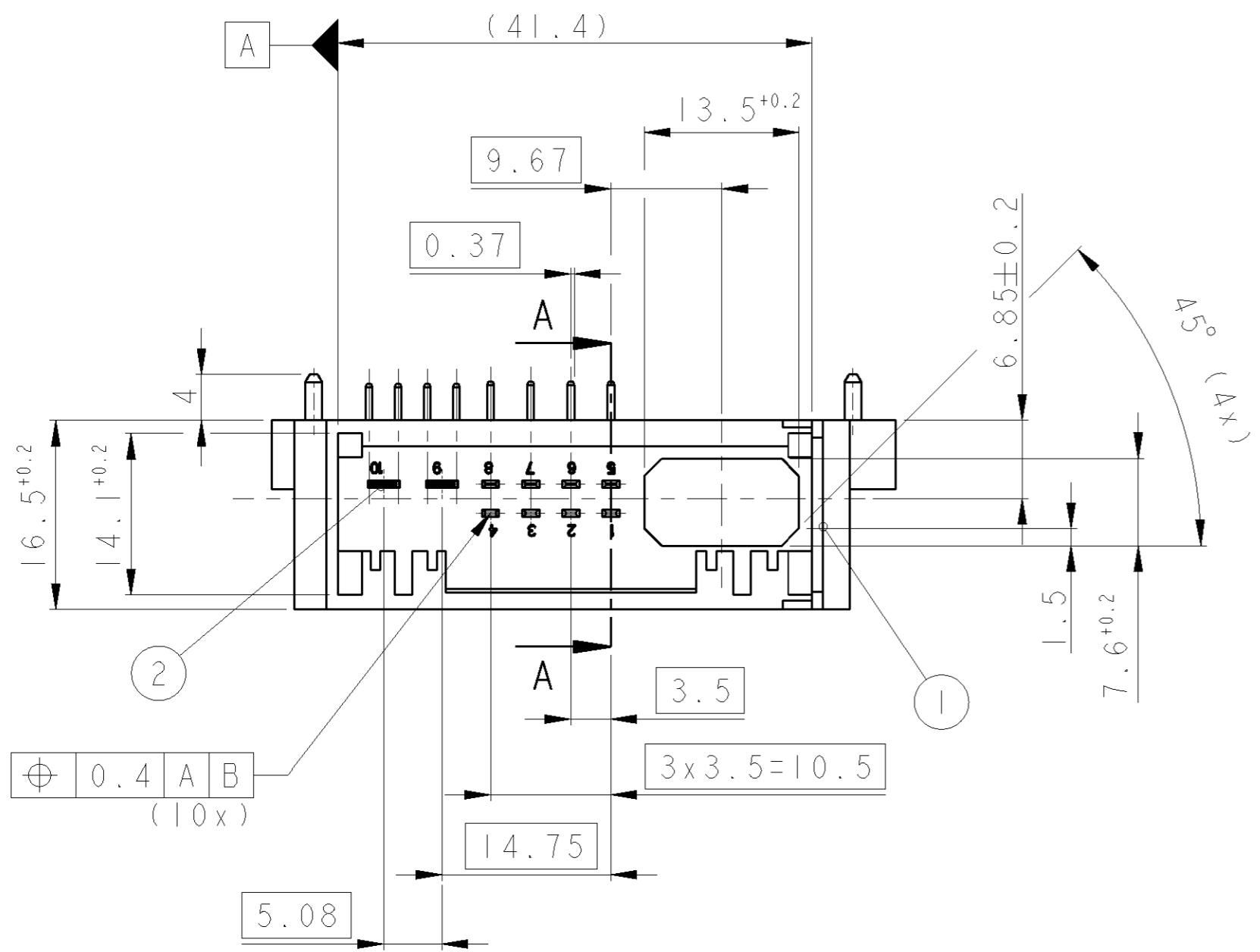


THIS DRAWING IS UNPUBLISHED. RELEASED FOR PUBLICATION 2000
 © COPYRIGHT 2000 BY TYCO ELECTRONICS CORPORATION. ALL RIGHTS RESERVED.

LOC	DIST	REVISIONS					
		P	LTR	DESCRIPTION	DATE	DWN	APVD
A1	-	D		SEE PCN EG00-0967-02	19MAR2002	H.M.	T.K.
		E		SEE PCN EG00-0955-03	26MAR2003	H.M.	T.K.
		E1		SEE E-07-022923	25SEP2007	CA	TK



Bemerkungen
NOTES

- 1 AMP-LOGO
AMP-Logo
- 2 ORDER-NUMBER
Bestell-Nummer
- 3 REVISIONS-NUMBER
Werkzeugaenderungsindex
- 4 MATERIAL MARKING
Werkstoffkennzeichnung
- 5 CAVITY MARKING
Nestmarkierung
- 6 SINGLE PART NO
Einzelteil-Nummer
- 7 PRODUCTION-DATE
Produktions-Datum
- 8 LAYER PACKAGING
Lagenverpackung
- 9 TOLERANCES UNLESS OTHERWISE SPECIFIED ±0.3
Toleranzen wenn nicht anders spezifiziert ±0.3

MATED WITH:
 COVER 1-1355871-1
 Kappe
 RECEPTACLE HOUSING 1-1355873-1
 Buchsengehaeuse

CUSTOMER PART NO	AMP PART NO	REV.	PCS.	MATERIAL	SURFACE COLOUR	DESCRIPTION	ITEM NO
	1-1355874-1	E	4	CuSn6	TINNED	TAB 1.5x0.6	4
			4	CuSn6	TINNED	TAB 1.5x0.6	3
			2	CuSn6	TINNED	TAB 2.8x0.6	2
			1	PBT-GF30	BLACK	HEADER, 2xMPQ / 8xMQS	1

<small>THIS DRAWING IS A CONTROLLED DOCUMENT FOR TYCO ELECTRONICS CORPORATION. IT IS SUBJECT TO CHANGE AND THE CONTROLLING ENGINEERING ORGANIZATION SHOULD BE CONTACTED FOR THE LATEST REVISION.</small>		DWN H.Breitenbach 11APR2000 CHK T.Kilian 12APR2000 APVD - PRODUCT SPEC 108-18214 APPLICATION SPEC 114-18351 WEIGHT - CUSTOMER DRAWING	AMP AMP Deutschland GmbH D - 63225 Langen NAME TAB HEADER FOR 2x MPQ / 8x MQS + 2POS. F.O. Stiftwanne fuer 2xMPQ / 8xMQS + 2pol. LWL. SIZE A2 CAGE CODE 00779 DRAWING NO. 1355874 RESTRICTED TO - SCALE 2:1 SHEET 1 OF 1 REV E1
--	--	---	--